

Wall hung, modular base units, equipped with tip-on push-opening mechanism. Units with handle are not feasible. Finished end panels, 5 mm. thick (glass).

Top (1)

The square-edged tops can be fitted with top-mounted, built-in, under-mounted or moulded flush-mounted washbasins.

THICKNESS: 12 - 15 - 20 mm

DEPTH: 480 mm

COMPATIBLE WASHBASINS: top-mounted, built-in, under-mounted and moulded flush-mounted.

Unit (2)

It's made of 19 mm thick wood particle board panels, waterproof, with low formaldehyde emission (class E1, CARB P2 / TSCA Title VI certified), treated with high performance melamine resin. Front and back edges in ABS, same colour

SIDE PANEL HEIGHT: 300 - 470 mm (both compatible with built-in / under-mounted / moulded flush-mounted Boffi washbasins).

SIDE PANEL DEPTH: 470 mm.

DEPTH INCLUDING DOOR: 475 mm.

MODULE WIDTH: 300 - 450 - 600 - 900 mm.

Drawers (3)

LEGRABOX series with sides and back in varnished matt black metal. Bottom in black melamine. Front of internal drawers in melamine, same finish as carcass.

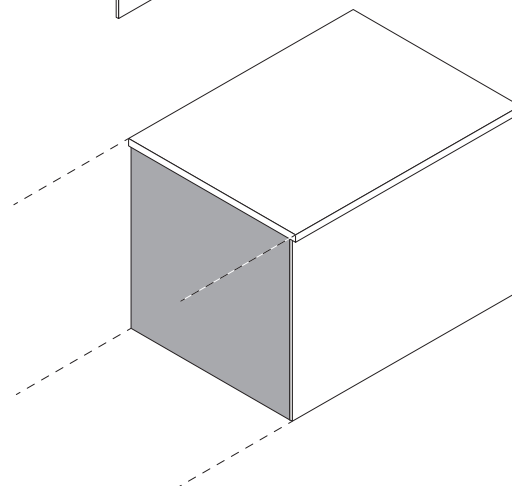
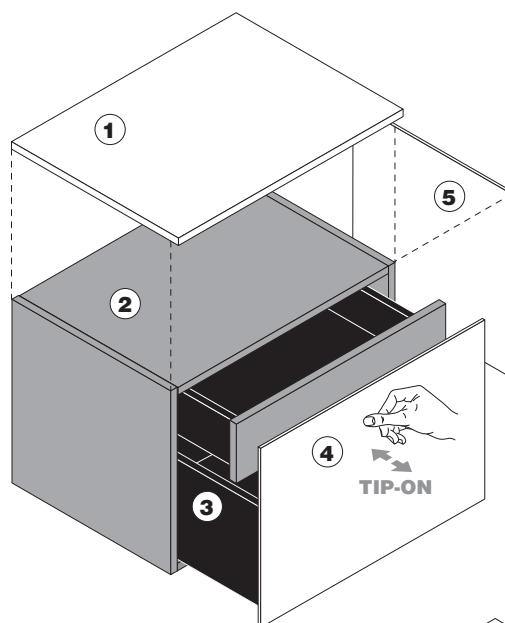
Doors and front panels (4)

In 5 mm thick glass, with "tip-on" push-opening mechanism.

Structure made of 16 mm thick wood particle board panels, black, waterproof, with low formaldehyde emission (class E1 CARB P2/ TSCA Title VI certified), treated with high performance melamine resin. Front and back edges in ABS, same colour.

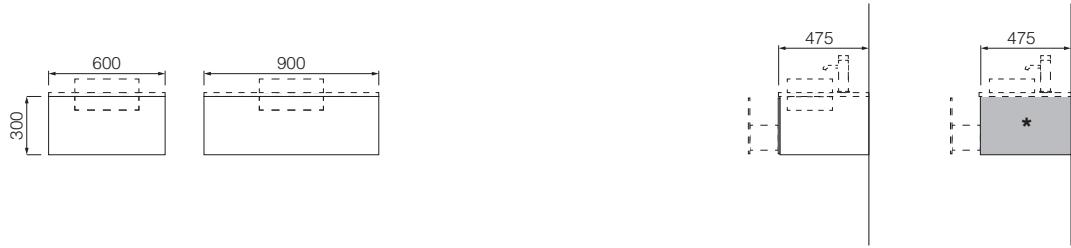
End panels (5)

In 5 mm thick glass.

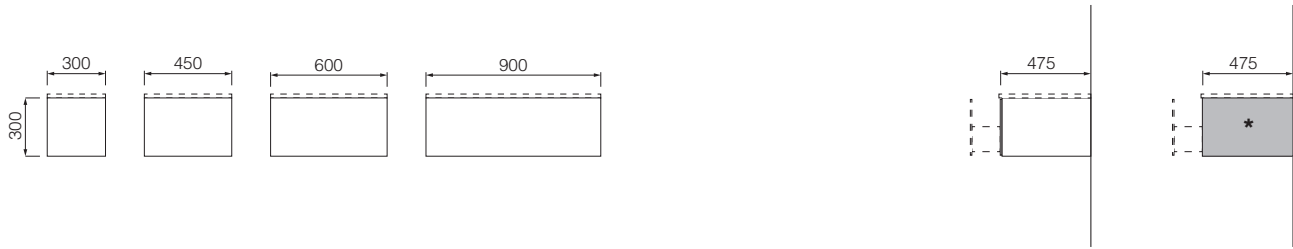


* End panel

Base unit for washbasin with drawer



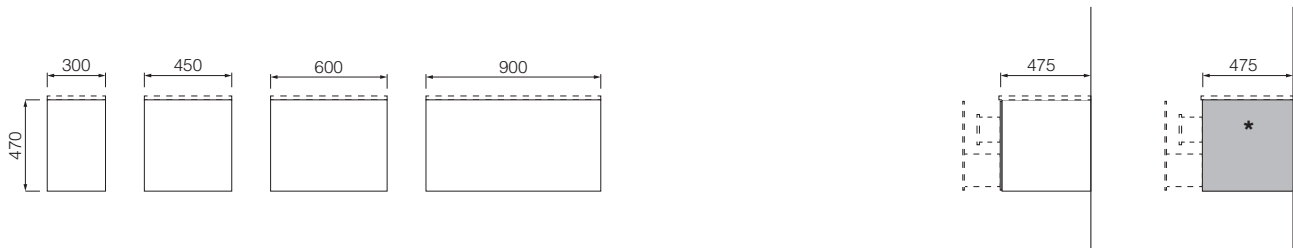
Base unit with drawer



Base unit for washbasin with drawer



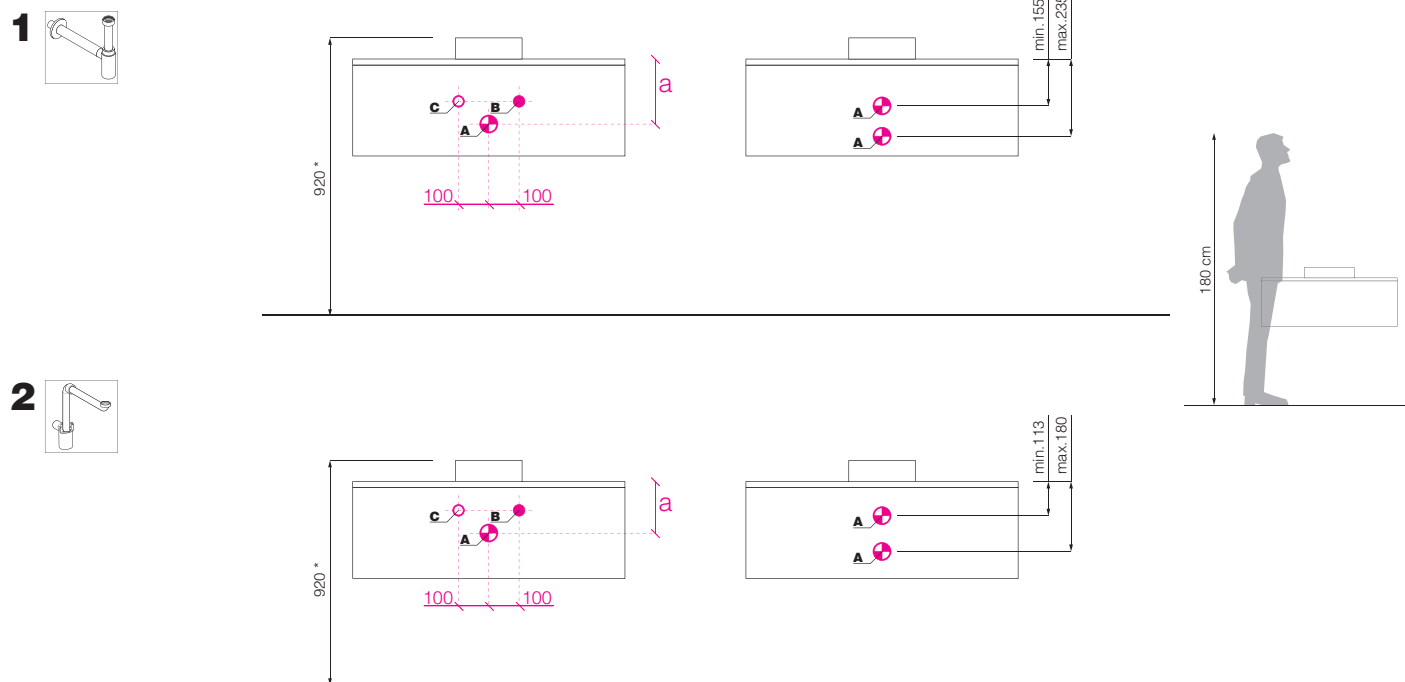
Base unit with drawer



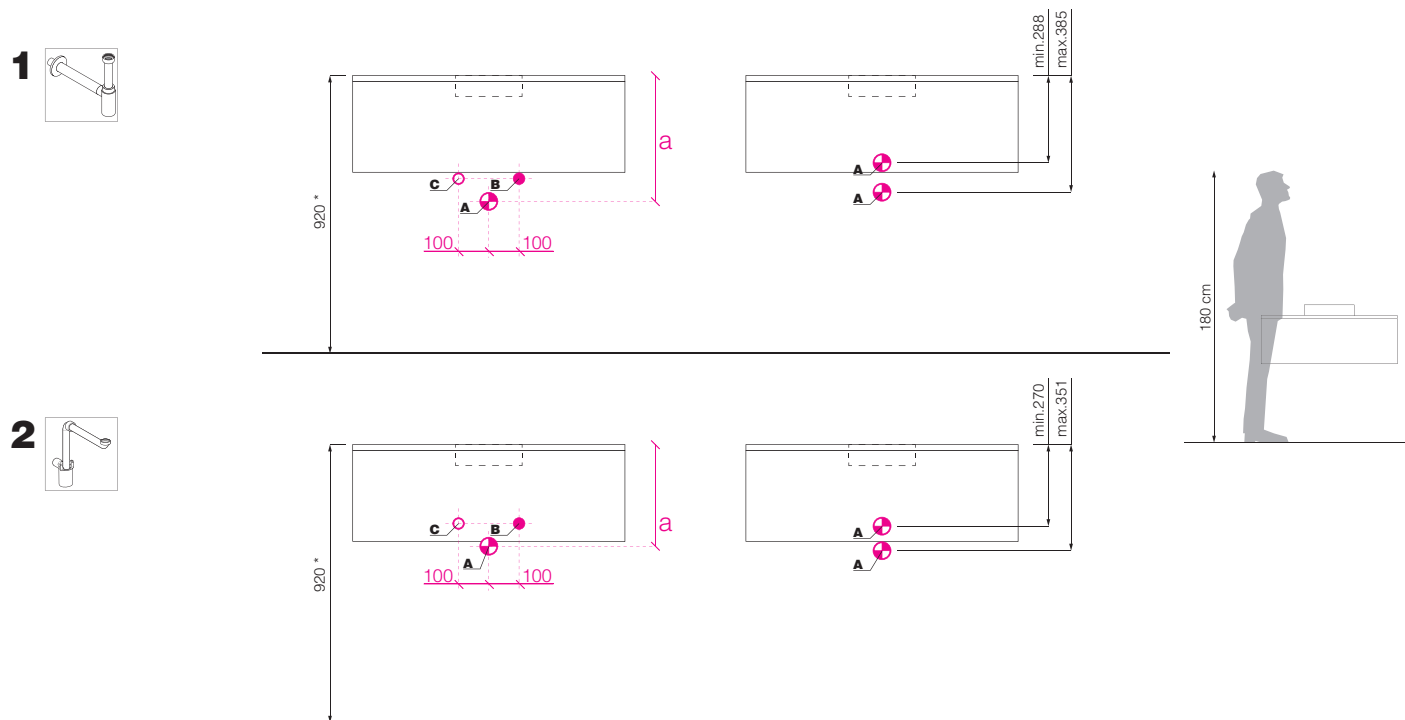
S O H O
 TECHNICAL DETAILS - WATER DRAIN POSITIONING

"a" = position of water drain
 A = Water drain
 B = cold water
 C = warm water

BASE UNITS H 300 mm - TOP-MOUNTED washbasin



BASE UNITS H 300 mm - UNDER-MOUNTED, moulded FLUSH-MOUNTED and BUILT-IN washbasin.



* recommended distance for medium height users (170 ÷ 180 cm).

- 1 - Cylindrical syphon
- 2 - Space-saving syphon

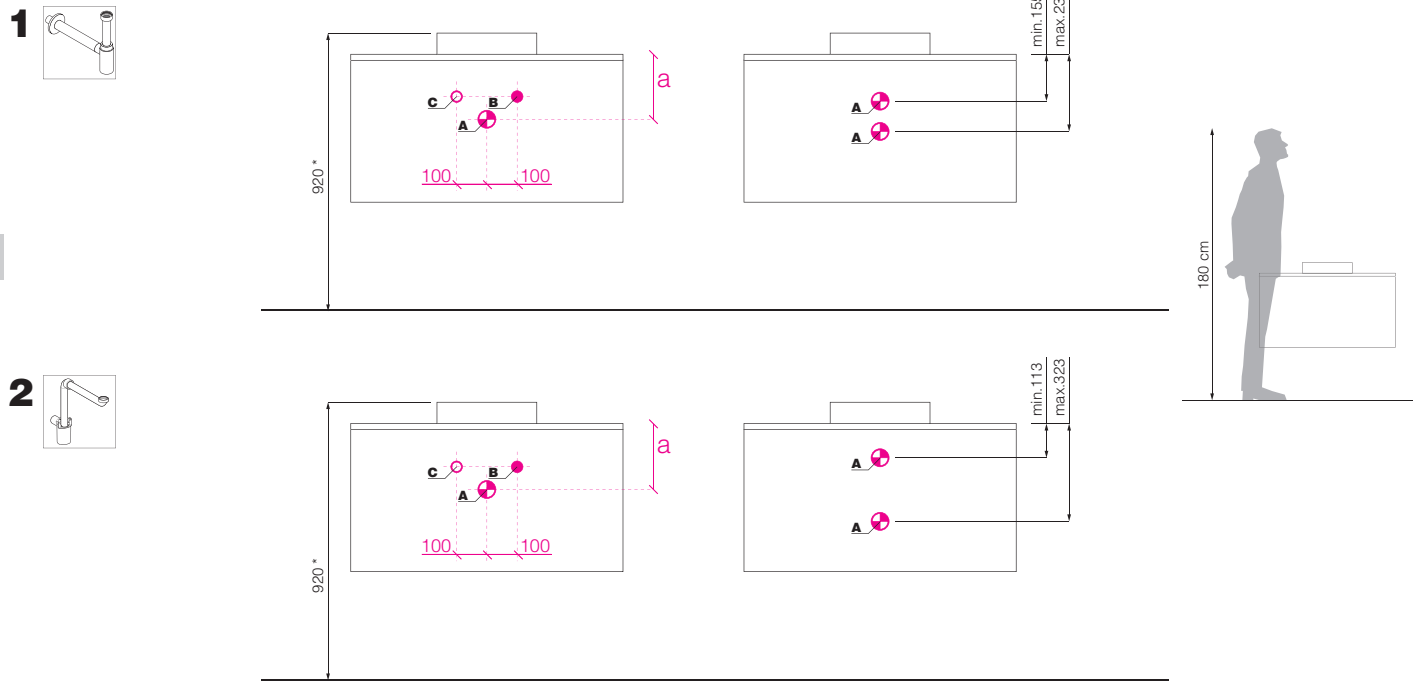
"a" = position of water drain

A = Water drain

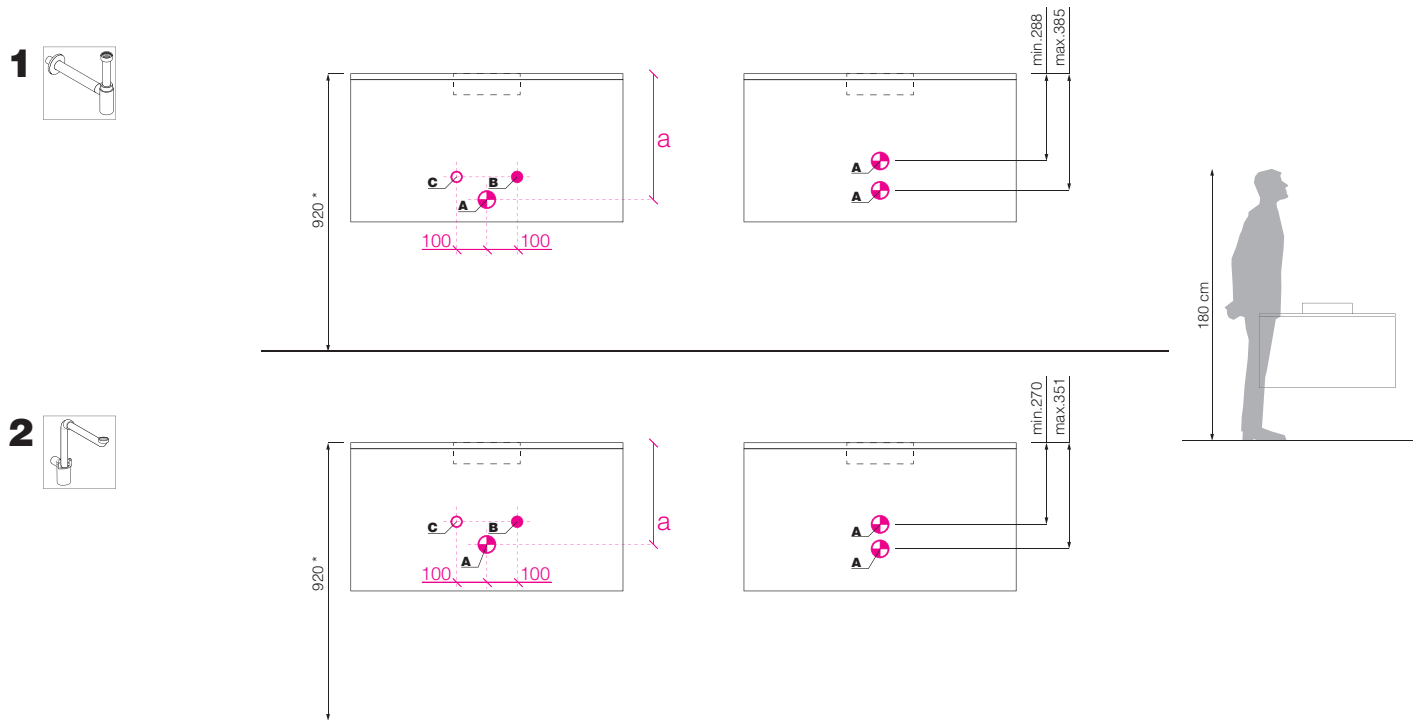
B = cold water

C = warm water

BASE UNITS H 470 mm - TOP-MOUNTED washbasin



BASE UNITS H 470 mm - UNDER-MOUNTED, moulded FLUSH-MOUNTED and BUILT-IN washbasin.



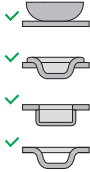
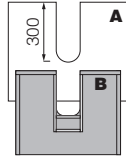
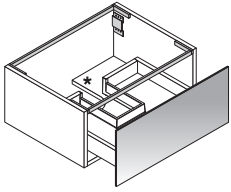
* recommended distance for medium height users (170 ÷ 180 cm).

1 - Cylindrical syphon

2 - Space-saving syphon

A - Bottom
B - Drawer

Base unit for washbasin with shaped drawer. - FOR CYLINDRICAL syphon.

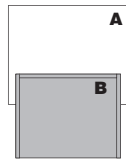
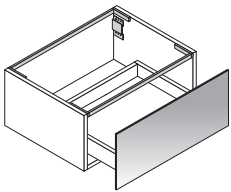


- COMPATIBLE WASHBASINS: all washbasins.
- COMPATIBLE STRAINER WASTE KIT: see specific indications of the washbasin to be used.
- * Please order separately the covering plate in aluminium (see "Accessories for cabinets" chapter).

L P H

..... 600 475 300 **BPRPB060SH**
..... 900 475 300 **BPRPB090SH**

Base unit for washbasin with drawer. - For SPACE-SAVING syphon

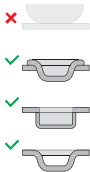
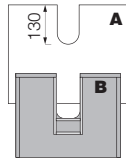
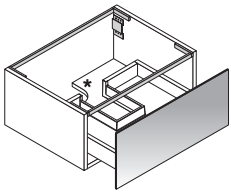


- COMPATIBLE WASHBASINS: TOP-MOUNTED.
- COMPATIBLE STRAINER WASTE KIT: see specific indications of the washbasin to be used.

L P H

..... 600 475 300 **BPRSC060SH**
..... 900 475 300 **BPRSC090SH**

Base unit for washbasin with shaped drawer. - For SPACE-SAVING syphon

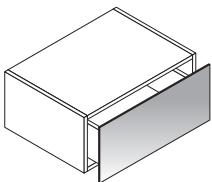


- COMPATIBLE WASHBASINS: BUILT-IN, moulded FLUSH-MOUNTED and UNDER-MOUNTED.
- COMPATIBLE STRAINER WASTE KIT: see specific indications of the washbasin to be used.
- * Please order separately the covering plate in aluminium (see "Accessories for cabinets" chapter).

L P H

..... 600 475 300 **BPRSS060SH**
..... 900 475 300 **BPRSS090SH**

Base unit with drawer - H 300 mm



- Compatible with DOMESTICI accessories: for 475 deep base units please use 372 mm deep accessories. (L 300 mm drawer excluded).

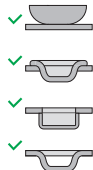
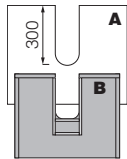
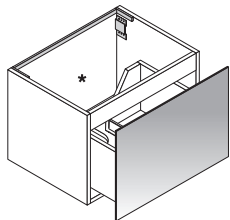
L P H

..... 300 475 300 **BPRPJ030SH**
..... 450 475 300 **BPRPJ045SH**
..... 600 475 300 **BPRPJ060SH**
..... 900 475 300 **BPRPJ090SH**

A - Bottom
B - Drawer

Frosted/painted
Extrairight-glass

Base unit for washbasin with shaped drawer.

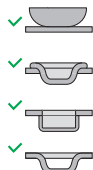
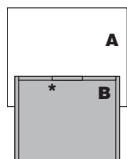
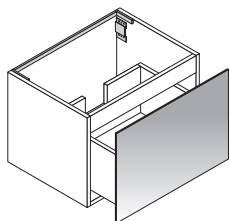


- COMPATIBLE WASHBASINS: all washbasins.
- COMPATIBLE STRAINER WASTE KIT: see specific indications of the washbasin to be used.
- * Please order separately the covering plate in aluminium (see "Accessories for cabinets" chapter).

L P H

..... 600 475 470 **BWRPB060SH**
..... 900 475 470 **BWRPB090SH**

Base unit for washbasin with drawer. - For SPACE-SAVING syphon

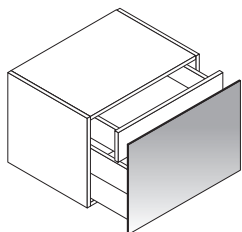


- COMPATIBLE WASHBASINS: all washbasins.
- COMPATIBLE STRAINER WASTE KIT: see specific indications of the washbasin to be used.
- * cut-out positioned on the drawer rear side.

L P H

..... 600 475 470 **BWRSC060SH**
..... 900 475 470 **BWRSC090SH**

Base unit with drawer + internal drawer - H 470 mm

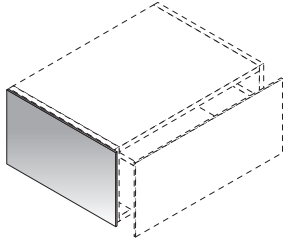


- Compatible with DOMESTICI accessories: for 475 deep base units please use 372 mm deep accessories. (L 300 mm drawer excluded).

L P H

..... 300 475 470 **BWRPJ030SH**
..... 450 475 470 **BWRPJ045SH**
..... 600 475 470 **BWRPJ060SH**
..... 900 475 470 **BWRPJ090SH**

End panel.



- Reversible.

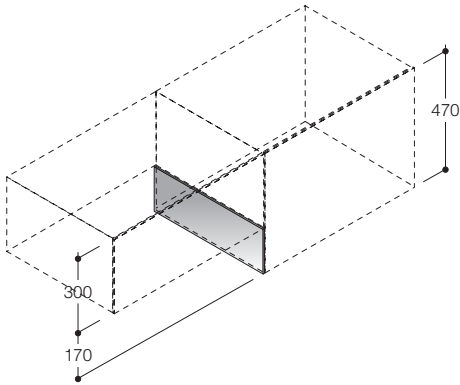
For base unit H 300 mm.

L	P	H	
479	5	300	SABHBG07

For base unit H 470 mm.

479	5	470	SABHBG08
-----	---	-----	-----------------

End panel.



- Reversible.
- For base units H 470 mm close to base units H 300 mm.

L	P	H	
479	5	170	SABHBG09

- Please choose ONLY compatible washbasins.
- The washbasin position is centred according to the middle part of the under-washbasin unit.
- If the taps are mounted on the top, please add the tap cut-outs. The indicated compatibility is referred to spouts with or without integrated mixer.

TOP-MOUNTED washbasins

BUILT-IN AND UNDER-MOUNTED washbasins
Moulded FLUSH-MOUNTED washbasins

A45 COMPACT WRQAQAE02	FISHER ISLAND WRFAFAE01 - WSAFAE01	ICELAND WRICAE01 - WSICAE01	SABBIA 3 WRSBAC01 - WSSBAC01	GARDEN WBGAAE01	RD1 WNRGAE01	SABBIA BTM WRSBAF01	SABBIA BTM STONE WMSBAF01/02/03/04	FLOE WRFEAF01	FLOE STONE WMFEAF01 - WMFEAF03/04/05	UNIVERSAL small - UNICOLOR small WRUNAB03 - WKUCAB01	UNIVERSAL big - UNICOLOR big WRUNAB02 - WKUCAB02	EMISFERO STONE WMEMAB01 - WMEMAB02/03/04	KUFA WZKPAJ001	SABBIA 6 ZTRBK01	SABBIA 7 ZTRBK02
--------------------------	---------------------------------------	--------------------------------	---------------------------------	--------------------	-----------------	------------------------	---------------------------------------	------------------	---	---	---	---	-------------------	---------------------	---------------------

Composition

Composition	A45 COMPACT WRQAQAE02	FISHER ISLAND WRFAFAE01 - WSAFAE01	ICELAND WRICAE01 - WSICAE01	SABBIA 3 WRSBAC01 - WSSBAC01	GARDEN WBGAAE01	RD1 WNRGAE01	SABBIA BTM WRSBAF01	SABBIA BTM STONE WMSBAF01/02/03/04	FLOE WRFEAF01	FLOE STONE WMFEAF01 - WMFEAF03/04/05	UNIVERSAL small - UNICOLOR small WRUNAB03 - WKUCAB01	UNIVERSAL big - UNICOLOR big WRUNAB02 - WKUCAB02	EMISFERO STONE WMEMAB01 - WMEMAB02/03/04	KUFA WZKPAJ001	SABBIA 6 ZTRBK01	SABBIA 7 ZTRBK02
1A				X							Y					
2A					●						●	●		Y		
3A				X							Y					
4A				X							Y					
5A				X							Y					
6A	X	X	X	X	X						Y					
7A				X							Y					
8A					●						●	●		Y		
9A				X							Y					
10A					●						●	●		Y		
11A	X	X	X	X	X						Y					
12A				X							Y					
13A				X							Y					
14A					●						●	●		Y		
15A					●						●	●		Y		
16A					●						●	●		Y		
17A				X							Y					
18A				X							Y					
19A					●						●	●		Y		
20A	X	X	X	X	X						Y					
21A				X							Y					
22A				X							Y					
23A					●						●	●		Y		
24A					●						●	●		Y		
25A					●						●	●		Y		
26A					●						●	●		Y		
27A					●						●	●		Y		
28A					●						●	●		Y		
29A					●						●	●		Y		
30A					●						●	●		Y		
31A					●						●	●		Y		
32A					●						●	●		Y		
33A					●						●	●		Y		
34A					●						●	●		Y		
35A					●						●	●		Y		

LEGEND:

- Compatible with wall-mounted spout / top-mounted spout positioned behind or laterally
- Compatible with wall-mounted spout or top-mounted spout positioned laterally
- X Compatible with wall-mounted spout
- Y Compatible with wall-mounted spout or top-mounted spout positioned behind.

- Please choose ONLY compatible washbasins.
- The washbasin position is centred according to the middle part of the under-washbasin unit.
- If the taps are mounted on the top, please add the tap cut-outs. The indicated compatibility is referred to spouts with or without integrated mixer.

Composition	TOP-MOUNTED washbasins										BUILT-IN AND UNDER-MOUNTED washbasins Moulded FLUSH-MOUNTED washbasins									
	A45 COMPACT WRAQAE02	FISHER ISLAND WRAFAE01 - WSAFAE01	ICELAND WRICAE01 - WSICAE01	SABBIA 3 WRSBAC01 - WSSBAC01	GARDEN WBGAE01	RD1 WNRGAE01	SABBIA BTM WRSBAF01	SABBIA BTM STONE WMSBAF01/02/03/04	FLOE WRFEAF01	FLOE STONE WMFEAF01 - WMFEAF03/04/05	UNIVERSAL small - UNICOLOR small WRUNAB03 - WKUCAB01	UNIVERSAL big - UNICOLOR big WRUNAB02 - WKUCAB02	EMISERO STONE WMEMAB01 - WMEMAB02/03/04	KUPA WZKPAJ001	SABBIA 6 ZTRBK01	SABBIA 7 ZTRBK02				
1B				X							Y									
2B	○	○	○	○	●	○	○	○		●	●	○	Y	○	○	○				
3B				X						Y		○		○	○					
4B				X						Y		○		○	○					
5B				X						Y		○		○	○					
6B	X	X	X	X	X	○				Y		○		○	○	○				
7B				X						Y		○		○	○					
8B	○	○	○	○	●	○	○	○		●	●	○	Y	○	○	○				
9B				X						Y		○		○	○					
10B	○	○	○	○	●	○	○	○	○	●	●	○	Y	○	○	○				
11B	X	X	X	X	X	○				Y		○		○	○					
12B				X						Y		○		○	○					
13B				X						Y		○		○	○					
14B	○	○	○	○	●	○	○	○	○	●	●	○	Y	○	○	○				
15B	○	○	○	○	●	○	○	○	○	●	●	○	Y	○	○	○				
16B	○	○	○	○	●	○	○	○	○	●	●	○	Y	○	○	○				
17B				X						Y		○		○	○					
18B				X						Y		○		○	○					
19B	○	○	○	○	●	○	○	○	○	●	●	○	Y	○	○	○				
20B	X	X	X	X	X	○				Y		○		○	○					
21B				X						Y		○		○	○					
22B				X						Y		○		○	○					
23B	○	○	○	○	●	○	○	○	○	●	●	○	Y	○	○	○				
24B	○	○	○	○	●	○	○	○	○	●	●	○	Y	○	○	○				
25B	○	○	○	○	●	○	○	○	○	●	●	○	Y	○	○	○				
26B	○	○	○	○	●	○	○	○	○	●	●	○	Y	○	○	○				
27B	○	○	○	○	●	○	○	○	○	●	●	○	Y	○	○	○				
28B	○	○	○	○	●	○	○	○	○	●	●	○	Y	○	○	○				
29B	○	○	○	○	●	○	○	○	○	●	●	○	Y	○	○	○				
30B	○	○	○	○	●	○	○	○	○	●	●	○	Y	○	○	○				
31B	○	○	○	○	●	○	○	○	○	●	●	○	Y	○	○	○				
32B	○	○	○	○	●	○	○	○	○	●	●	○	Y	○	○	○				
33B	○	○	○	○	●	○	○	○	○	●	●	○	Y	○	○	○				
34B	○	○	○	○	●	○	○	○	○	●	●	○	Y	○	○	○				
35B	○	○	○	○	●	○	○	○	○	●	●	○	Y	○	○	○				

- LEGEND:
- Compatible with wall-mounted spout / top-mounted spout positioned behind or laterally
 - Compatible with wall-mounted spout or top-mounted spout positioned laterally
 - X Compatible with wall-mounted spout
 - Y Compatible with wall-mounted spout or top-mounted spout positioned behind.

S O H O

COMPOSITIONS - Cabinet H 300 mm

Compositions with CUT-OUT for TOP-MOUNTED/BUILT-IN/UNDER-MOUNTED BASINS: PLEASE ADD WASHBASIN + HOLES FOR TAP+ DRAINAGE KIT. ONLY in case of compositions with glass tops and under-mounted washbasin please add always the price for gluing, cod. ZNBD07. The price includes the units, the end panels and the top with cut-out for washbasin.

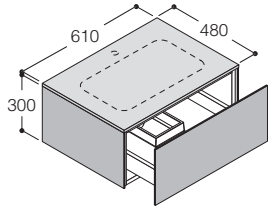
*= The aluminium covering plate is supplied ONLY when compositions have a cut-out for BUILT-IN washbasin.

Compositions with MOULDED FLUSH-MOUNTED WASHBASIN: PLEASE ADD HOLES FOR TAP+ SYPHON.

The price includes the units, the end panels and the glass top with moulded flush-mounted washbasin and waste-drain.

Frosted-painted
Extralight-glass

COMPOSITION 1A



- L 610 mm
- 1 base unit for washbasin with 600 mm drawer.

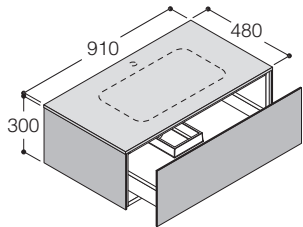
WITH CUT-OUT FOR TOP-MOUNTED BASIN / CUT-OUT FOR BUILT-IN BASIN

	L	P	H	
Top in frosted painted Extralight glass - Thickness: 12 mm.	610	480	312	SHA001V
Top in Cristalplant® - Thickness: 15 mm.	610	480	315	SHA001C
Top in Stone C - Thickness: 20 mm.	610	480	320	SHA001P

WITH CUT-OUT FOR UNDER-MOUNTED BASIN.

Top in frosted painted Extralight glass - Thickness: 12 mm.	610	480	312	SHA501V
Top in Cristalplant® - Thickness: 15 mm.	610	480	315	SHA501C
Top in Stone C - Thickness: 20 mm.	610	480	320	SHA501P

COMPOSITION 2A



- L 910 mm
- 1 base unit for washbasin with 900 mm drawer.

WITH CUT-OUT FOR TOP-MOUNTED BASIN / CUT-OUT FOR BUILT-IN BASIN

Top in frosted painted Extralight glass - Thickness: 12 mm.	910	480	312	SHA002V
Top in Cristalplant® - Thickness: 15 mm.	910	480	315	SHA002C
Top in Stone C - Thickness: 20 mm.	910	480	320	SHA002P

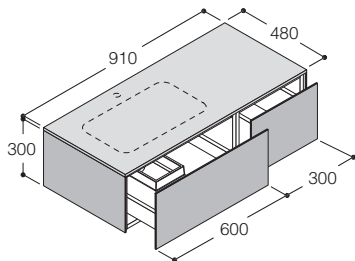
WITH CUT-OUT FOR UNDER-MOUNTED BASIN.

Top in frosted painted Extralight glass - Thickness: 12 mm.	910	480	312	SHA502V
Top in Cristalplant® - Thickness: 15 mm.	910	480	315	SHA502C
Top in Stone C - Thickness: 20 mm.	910	480	320	SHA502P

WITH MOULDED FLUSH-MOUNTED WASHBASIN

Top and washbasin in sanded painted Extralight glass - Thickness: 12 mm.	910	480	312	SHA902V
---	-----	-----	-----	----------------

COMPOSITION 3A



- L 910 mm
- 1 base unit for washbasin with 600 mm drawer.
- 1 base unit with 300 mm drawer.
- Drawn=left (S), mirrored=right (D).

WITH CUT-OUT FOR TOP-MOUNTED BASIN / CUT-OUT FOR BUILT-IN BASIN

Top in frosted painted Extralight glass - Thickness: 12 mm.	910	480	312	SHA003V	S-D
Top in Cristalplant® - Thickness: 15 mm.	910	480	315	SHA003C	S-D
Top in Stone C - Thickness: 20 mm.	910	480	320	SHA003P	S-D

WITH CUT-OUT FOR UNDER-MOUNTED BASIN.

Top in frosted painted Extralight glass - Thickness: 12 mm.	910	480	312	SHA503V	S-D
Top in Cristalplant® - Thickness: 15 mm.	910	480	315	SHA503C	S-D
Top in Stone C - Thickness: 20 mm.	910	480	320	SHA503P	S-D

L = Width
P = Depth
H = Height
Pr = Price code

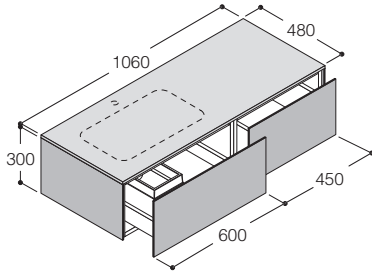
Compositions with CUT-OUT for TOP-MOUNTED/BUILT-IN/UNDER-MOUNTED BASINS: PLEASE ADD WASHBASIN + HOLES FOR TAP+ DRAINAGE KIT. ONLY in case of compositions with glass tops and under-mounted washbasin please add always the price for gluing, cod. ZNBD07. The price includes the units, the end panels and the top with cut-out for washbasin.

*= The aluminium covering plate is supplied ONLY when compositions have a cut-out for BUILT-IN washbasin.

Compositions with MOULDED FLUSH-MOUNTED WASHBASIN: PLEASE ADD HOLES FOR TAP+ SYPHON.

The price includes the units, the end panels and the glass top with moulded flush-mounted washbasin and waste-drain.

COMPOSITION 4A



- L 1060 mm
- 1 base unit for washbasin with 600 mm drawer.
- 1 base unit with 450 mm drawer.
- Drawn=left (S), mirrored=right (D).

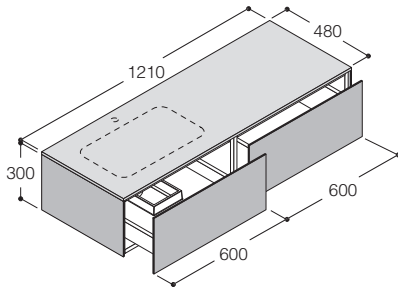
WITH CUT-OUT FOR TOP-MOUNTED BASIN / CUT-OUT FOR BUILT-IN BASIN

Top in frosted painted Extralight glass - Thickness: 12 mm.....	1060	480	312	SHA004V	S-D
Top in Cristalplant® - Thickness: 15 mm.....	1060	480	315	SHA004C	S-D
Top in Stone C - Thickness: 20 mm.....	1060	480	320	SHA004P	S-D

WITH CUT-OUT FOR UNDER-MOUNTED BASIN.

Top in frosted painted Extralight glass - Thickness: 12 mm.....	1060	480	312	SHA504V	S-D
Top in Cristalplant® - Thickness: 15 mm.....	1060	480	315	SHA504C	S-D
Top in Stone C - Thickness: 20 mm.....	1060	480	320	SHA504P	S-D

COMPOSITION 5A



- L 1210 mm
- 1 base unit for washbasin with 600 mm drawer.
- 1 base unit with 600 mm drawer.
- Drawn=left (S), mirrored=right (D).

WITH CUT-OUT FOR TOP-MOUNTED BASIN / CUT-OUT FOR BUILT-IN BASIN

Top in frosted painted Extralight glass - Thickness: 12 mm.....	1210	480	312	SHA005V	S-D
Top in Cristalplant® - Thickness: 15 mm.....	1210	480	315	SHA005C	S-D
Top in Stone C - Thickness: 20 mm.....	1210	480	320	SHA005P	S-D

WITH CUT-OUT FOR UNDER-MOUNTED BASIN.

Top in frosted painted Extralight glass - Thickness: 12 mm.....	1210	480	312	SHA505V	S-D
Top in Cristalplant® - Thickness: 15 mm.....	1210	480	315	SHA505C	S-D
Top in Stone C - Thickness: 20 mm.....	1210	480	320	SHA505P	S-D

S O H O

COMPOSITIONS - Cabinet H 300 mm

Compositions with CUT-OUT for TOP-MOUNTED/BUILT-IN/UNDER-MOUNTED BASINS: PLEASE ADD WASHBASIN + HOLES FOR TAP+ DRAINAGE KIT. ONLY in case of compositions with glass tops and under-mounted washbasin please add always the price for gluing, cod. ZNBD07. The price includes the units, the end panels and the top with cut-out for washbasin.

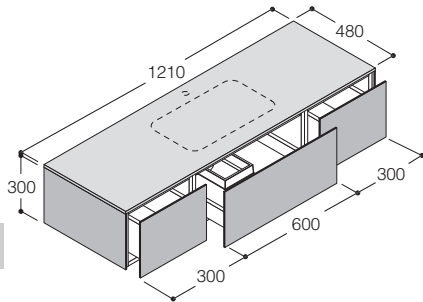
*= The aluminium covering plate is supplied ONLY when compositions have a cut-out for BUILT-IN washbasin.

Compositions with MOULDED FLUSH-MOUNTED WASHBASIN: PLEASE ADD HOLES FOR TAP+ SYPHON.

The price includes the units, the end panels and the glass top with moulded flush-mounted washbasin and waste-drain.

Frosted-painted
Extralight-glass

COMPOSITION 6A



- L 1210 mm
- 1 base unit with 300 mm drawer.
- 1 base unit for washbasin with 600 mm drawer.
- 1 base unit with 300 mm drawer.

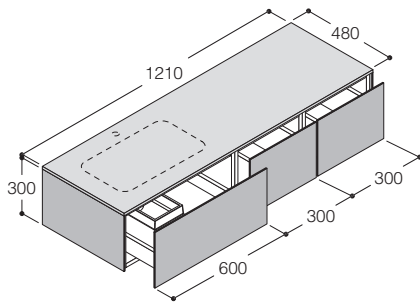
WITH CUT-OUT FOR TOP-MOUNTED BASIN / CUT-OUT FOR BUILT-IN BASIN

	L	P	H	
Top in frosted painted Extralight glass - Thickness: 12 mm.	1210	480	312	SHA006V
Top in Cristalplant® - Thickness: 15 mm.	1210	480	315	SHA006C
Top in Stone C - Thickness: 20 mm.	1210	480	320	SHA006P

WITH CUT-OUT FOR UNDER-MOUNTED BASIN.

Top in frosted painted Extralight glass - Thickness: 12 mm.	1210	480	312	SHA506V
Top in Cristalplant® - Thickness: 15 mm.	1210	480	315	SHA506C
Top in Stone C - Thickness: 20 mm.	1210	480	320	SHA506P

COMPOSITION 7A



- L 1210 mm
- 1 base unit for washbasin with 600 mm drawer.
- 1 base unit with 300 mm drawer.
- 1 base unit with 300 mm drawer.
- Drawn=left (S), mirrored=right (D).

WITH CUT-OUT FOR TOP-MOUNTED BASIN / CUT-OUT FOR BUILT-IN BASIN

	L	P	H		
Top in frosted painted Extralight glass - Thickness: 12 mm.	1210	480	312	SHA007V	S-D
Top in Cristalplant® - Thickness: 15 mm.	1210	480	315	SHA007C	S-D
Top in Stone C - Thickness: 20 mm.	1210	480	320	SHA007P	S-D

WITH CUT-OUT FOR UNDER-MOUNTED BASIN.

Top in frosted painted Extralight glass - Thickness: 12 mm.	1210	480	312	SHA507V	S-D
Top in Cristalplant® - Thickness: 15 mm.	1210	480	315	SHA507C	S-D
Top in Stone C - Thickness: 20 mm.	1210	480	320	SHA507P	S-D

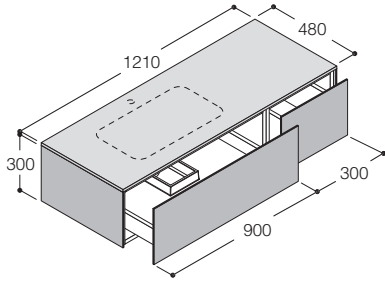
Compositions with CUT-OUT for TOP-MOUNTED/BUILT-IN/UNDER-MOUNTED BASINS: PLEASE ADD WASHBASIN + HOLES FOR TAP+ DRAINAGE KIT. ONLY in case of compositions with glass tops and under-mounted washbasin please add always the price for gluing, cod. ZNBD07. The price includes the units, the end panels and the top with cut-out for washbasin.

*= The aluminium covering plate is supplied ONLY when compositions have a cut-out for BUILT-IN washbasin.

Compositions with MOULDED FLUSH-MOUNTED WASHBASIN: PLEASE ADD HOLES FOR TAP+ SYPHON.

The price includes the units, the end panels and the glass top with moulded flush-mounted washbasin and waste-drain.

COMPOSITION 8A



- L 1210 mm
- 1 base unit for washbasin with 900 mm drawer.
- 1 base unit with 300 mm drawer.
- Drawn=left (S), mirrored=right (D).

WITH CUT-OUT FOR TOP-MOUNTED BASIN / CUT-OUT FOR BUILT-IN BASIN

Top in frosted painted Extralight glass - Thickness: 12 mm.....	1210	480	312	SHA008V	S-D
Top in Cristalplant® - Thickness: 15 mm.....	1210	480	315	SHA008C	S-D
Top in Stone C - Thickness: 20 mm.....	1210	480	320	SHA008P	S-D

WITH CUT-OUT FOR UNDER-MOUNTED BASIN.

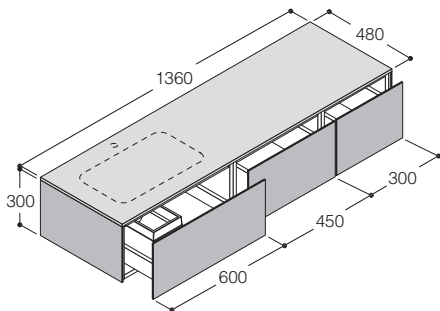
Top in frosted painted Extralight glass - Thickness: 12 mm.....	1210	480	312	SHA508V	S-D
Top in Cristalplant® - Thickness: 15 mm.....	1210	480	315	SHA508C	S-D
Top in Stone C - Thickness: 20 mm.....	1210	480	320	SHA508P	S-D

WITH MOULDED FLUSH-MOUNTED WASHBASIN

Top and washbasin in sanded painted Extralight glass - Thickness: 12 mm.....	1210	480	312	SHA908V	S-D
--	------	-----	-----	----------------	------------

L P H

COMPOSITION 9A



- L 1360 mm
- 1 base unit for washbasin with 600 mm drawer.
- 1 base unit with 450 mm drawer.
- 1 base unit with 300 mm drawer.
- Drawn=left (S), mirrored=right (D).

WITH CUT-OUT FOR TOP-MOUNTED BASIN / CUT-OUT FOR BUILT-IN BASIN

Top in frosted painted Extralight glass - Thickness: 12 mm.....	1360	480	312	SHA009V	S-D
Top in Cristalplant® - Thickness: 15 mm.....	1360	480	315	SHA009C	S-D
Top in Stone C - Thickness: 20 mm.....	1360	480	320	SHA009P	S-D

WITH CUT-OUT FOR UNDER-MOUNTED BASIN.

Top in frosted painted Extralight glass - Thickness: 12 mm.....	1360	480	312	SHA509V	S-D
Top in Cristalplant® - Thickness: 15 mm.....	1360	480	315	SHA509C	S-D
Top in Stone C - Thickness: 20 mm.....	1360	480	320	SHA509P	S-D

L P H

S O H O

COMPOSITIONS - Cabinet H 300 mm

Compositions with CUT-OUT for TOP-MOUNTED/BUILT-IN/UNDER-MOUNTED BASINS: PLEASE ADD WASHBASIN + HOLES FOR TAP+ DRAINAGE KIT. ONLY in case of compositions with glass tops and under-mounted washbasin please add always the price for gluing, cod. ZNBD07. The price includes the units, the end panels and the top with cut-out for washbasin.

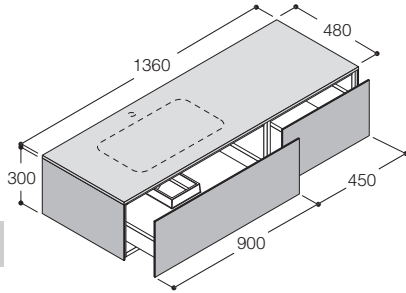
*= The aluminium covering plate is supplied ONLY when compositions have a cut-out for BUILT-IN washbasin.

Compositions with MOULDED FLUSH-MOUNTED WASHBASIN: PLEASE ADD HOLES FOR TAP+ SYPHON.

The price includes the units, the end panels and the glass top with moulded flush-mounted washbasin and waste-drain.

Frosted-painted
Extralight-glass

COMPOSITION 10A



- L 1360 mm
- 1 base unit for washbasin with 900 mm drawer.
- 1 base unit with 450 mm drawer.
- Drawn=left (S), mirrored=right (D).

WITH CUT-OUT FOR TOP-MOUNTED BASIN / CUT-OUT FOR BUILT-IN BASIN

	L	P	H		
Top in frosted painted Extralight glass - Thickness: 12 mm.	1360	480	312	SHA010V	S-D
Top in Cristalplant® - Thickness: 15 mm.	1360	480	315	SHA010C	S-D
Top in Stone C - Thickness: 20 mm.	1360	480	320	SHA010P	S-D

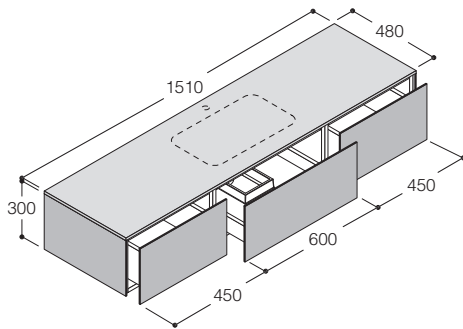
WITH CUT-OUT FOR UNDER-MOUNTED BASIN.

Top in frosted painted Extralight glass - Thickness: 12 mm.	1360	480	312	SHA510V	S-D
Top in Cristalplant® - Thickness: 15 mm.	1360	480	315	SHA510C	S-D
Top in Stone C - Thickness: 20 mm.	1360	480	320	SHA510P	S-D

WITH MOULDED FLUSH-MOUNTED WASHBASIN

Top and washbasin in sanded painted Extralight glass - Thickness: 12 mm.	1360	480	312	SHA910V	S-D
---	------	-----	-----	----------------	------------

COMPOSITION 11A



- L 1510 mm
- 1 base unit with 450 mm drawer.
- 1 base unit for washbasin with 600 mm drawer.
- 1 base unit with 450 mm drawer.

WITH CUT-OUT FOR TOP-MOUNTED BASIN / CUT-OUT FOR BUILT-IN BASIN

	L	P	H		
Top in frosted painted Extralight glass - Thickness: 12 mm.	1510	480	312	SHA011V	
Top in Cristalplant® - Thickness: 15 mm.	1510	480	315	SHA011C	
Top in Stone C - Thickness: 20 mm.	1510	480	320	SHA011P	

WITH CUT-OUT FOR UNDER-MOUNTED BASIN.

Top in frosted painted Extralight glass - Thickness: 12 mm.	1510	480	312	SHA511V	
Top in Cristalplant® - Thickness: 15 mm.	1510	480	315	SHA511C	
Top in Stone C - Thickness: 20 mm.	1510	480	320	SHA511P	

L = Width
P = Depth
H = Height
Pr = Price code

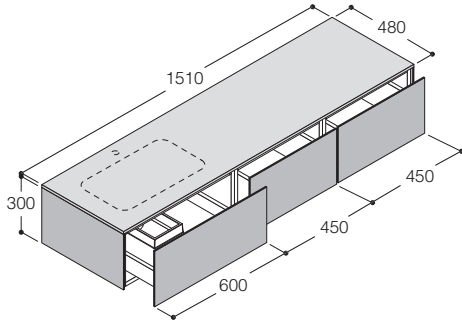
Compositions with CUT-OUT for TOP-MOUNTED/BUILT-IN/UNDER-MOUNTED BASINS: PLEASE ADD WASHBASIN + HOLES FOR TAP+ DRAINAGE KIT. ONLY in case of compositions with glass tops and under-mounted washbasin please add always the price for gluing, cod. ZNBD07. The price includes the units, the end panels and the top with cut-out for washbasin.

*= The aluminium covering plate is supplied ONLY when compositions have a cut-out for BUILT-IN washbasin.

Compositions with MOULDED FLUSH-MOUNTED WASHBASIN: PLEASE ADD HOLES FOR TAP+ SYPHON.

The price includes the units, the end panels and the glass top with moulded flush-mounted washbasin and waste-drain.

COMPOSITION 12A



- L 1510 mm
- 1 base unit for washbasin with 600 mm drawer.
- 1 base unit with 450 mm drawer.
- 1 base unit with 450 mm drawer.
- Drawn=left (S), mirrored=right (D).

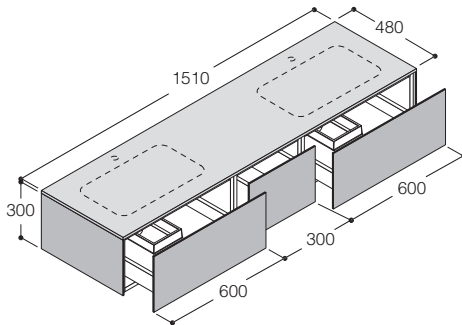
WITH CUT-OUT FOR TOP-MOUNTED BASIN / CUT-OUT FOR BUILT-IN BASIN

	L	P	H		
Top in frosted painted Extralight glass - Thickness: 12 mm.....	1510	480	312	SHA012V	S-D
Top in Cristalplant® - Thickness: 15 mm.....	1510	480	315	SHA012C	S-D
Top in Stone C - Thickness: 20 mm.....	1510	480	320	SHA012P	S-D

WITH CUT-OUT FOR UNDER-MOUNTED BASIN.

Top in frosted painted Extralight glass - Thickness: 12 mm.....	1510	480	312	SHA512V	S-D
Top in Cristalplant® - Thickness: 15 mm.....	1510	480	315	SHA512C	S-D
Top in Stone C - Thickness: 20 mm.....	1510	480	320	SHA512P	S-D

COMPOSITION 13A



- L 1510 mm
- 1 base unit for washbasin with 600 mm drawer.
- 1 base unit with 300 mm drawer.
- 1 base unit for washbasin with 600 mm drawer.

WITH CUT-OUT FOR TOP-MOUNTED BASIN / CUT-OUT FOR BUILT-IN BASIN

	L	P	H		
Top in frosted painted Extralight glass - Thickness: 12 mm.....	1510	480	312	SHA013V	
Top in Cristalplant® - Thickness: 15 mm.....	1510	480	315	SHA013C	
Top in Stone C - Thickness: 20 mm.....	1510	480	320	SHA013P	

WITH CUT-OUT FOR UNDER-MOUNTED BASIN.

Top in frosted painted Extralight glass - Thickness: 12 mm.....	1510	480	312	SHA513V	
Top in Cristalplant® - Thickness: 15 mm.....	1510	480	315	SHA513C	
Top in Stone C - Thickness: 20 mm.....	1510	480	320	SHA513P	

S O H O

COMPOSITIONS - Cabinet H 300 mm

Compositions with CUT-OUT for TOP-MOUNTED/BUILT-IN/UNDER-MOUNTED BASINS: PLEASE ADD WASHBASIN + HOLES FOR TAP+ DRAINAGE KIT. ONLY in case of compositions with glass tops and under-mounted washbasin please add always the price for gluing, cod. ZNBD07. The price includes the units, the end panels and the top with cut-out for washbasin.

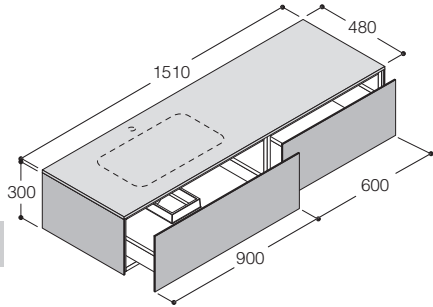
*= The aluminium covering plate is supplied ONLY when compositions have a cut-out for BUILT-IN washbasin.

Compositions with MOULDED FLUSH-MOUNTED WASHBASIN: PLEASE ADD HOLES FOR TAP+ SYPHON.

The price includes the units, the end panels and the glass top with moulded flush-mounted washbasin and waste-drain.

Frosted-painted
Extralight-glass

COMPOSITION 14A



- L 1510 mm
- 1 base unit for washbasin with 900 mm drawer.
- 1 base unit with 600 mm drawer.
- Drawn=left (S), mirrored=right (D).

WITH CUT-OUT FOR TOP-MOUNTED BASIN / CUT-OUT FOR BUILT-IN BASIN

	L	P	H		
Top in frosted painted Extralight glass - Thickness: 12 mm.	1510	480	312	SHA014V	S-D
Top in Cristalplant® - Thickness: 15 mm.	1510	480	315	SHA014C	S-D
Top in Stone C - Thickness: 20 mm.	1510	480	320	SHA014P	S-D

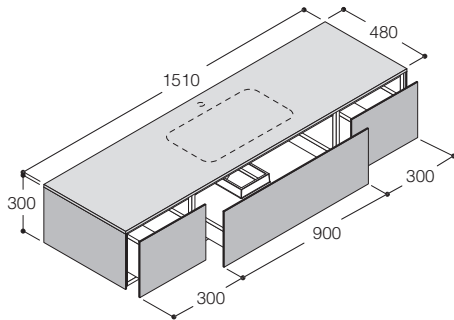
WITH CUT-OUT FOR UNDER-MOUNTED BASIN.

Top in frosted painted Extralight glass - Thickness: 12 mm.	1510	480	312	SHA514V	S-D
Top in Cristalplant® - Thickness: 15 mm.	1510	480	315	SHA514C	S-D
Top in Stone C - Thickness: 20 mm.	1510	480	320	SHA514P	S-D

WITH MOULDED FLUSH-MOUNTED WASHBASIN

Top and washbasin in sanded painted Extralight glass - Thickness: 12 mm.	1510	480	312	SHA914V	S-D
---	------	-----	-----	----------------	------------

COMPOSITION 15A



- L 1510 mm
- 1 base unit with 300 mm drawer.
- 1 base unit for washbasin with 900 mm drawer.
- 1 base unit with 300 mm drawer.

WITH CUT-OUT FOR TOP-MOUNTED BASIN / CUT-OUT FOR BUILT-IN BASIN

	L	P	H		
Top in frosted painted Extralight glass - Thickness: 12 mm.	1510	480	312	SHA015V	
Top in Cristalplant® - Thickness: 15 mm.	1510	480	315	SHA015C	
Top in Stone C - Thickness: 20 mm.	1510	480	320	SHA015P	

WITH CUT-OUT FOR UNDER-MOUNTED BASIN.

Top in frosted painted Extralight glass - Thickness: 12 mm.	1510	480	312	SHA515V	
Top in Cristalplant® - Thickness: 15 mm.	1510	480	315	SHA515C	
Top in Stone C - Thickness: 20 mm.	1510	480	320	SHA515P	

WITH MOULDED FLUSH-MOUNTED WASHBASIN

Top and washbasin in sanded painted Extralight glass - Thickness: 12 mm.	1510	480	312	SHA915V	
---	------	-----	-----	----------------	--

L = Width
P = Depth
H = Height
Pr = Price code

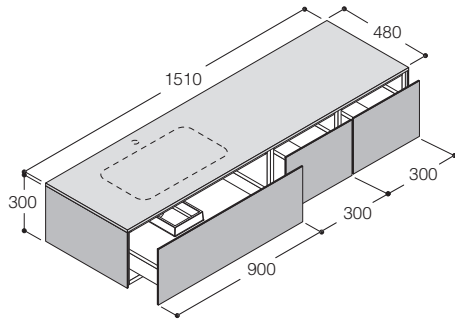
Compositions with CUT-OUT for TOP-MOUNTED/BUILT-IN/UNDER-MOUNTED BASINS: PLEASE ADD WASHBASIN + HOLES FOR TAP+ DRAINAGE KIT. ONLY in case of compositions with glass tops and under-mounted washbasin please add always the price for gluing, cod. ZNBD07. The price includes the units, the end panels and the top with cut-out for washbasin.

*= The aluminium covering plate is supplied ONLY when compositions have a cut-out for BUILT-IN washbasin.

Compositions with MOULDED FLUSH-MOUNTED WASHBASIN: PLEASE ADD HOLES FOR TAP+ SYPHON.

The price includes the units, the end panels and the glass top with moulded flush-mounted washbasin and waste-drain.

COMPOSITION 16A



- L 1510 mm
- 1 base unit for washbasin with 900 mm drawer.
- 1 base unit with 300 mm drawer.
- 1 base unit with 300 mm drawer.
- Drawn=left (S), mirrored=right (D).

WITH CUT-OUT FOR TOP-MOUNTED BASIN / CUT-OUT FOR BUILT-IN BASIN

	L	P	H		
Top in frosted painted Extralight glass - Thickness: 12 mm.	1510	480	312	SHA016V	S-D
Top in Cristalplant® - Thickness: 15 mm.	1510	480	315	SHA016C	S-D
Top in Stone C - Thickness: 20 mm.	1510	480	320	SHA016P	S-D

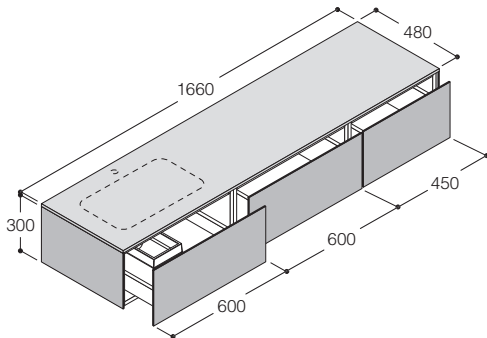
WITH CUT-OUT FOR UNDER-MOUNTED BASIN.

Top in frosted painted Extralight glass - Thickness: 12 mm.	1510	480	312	SHA516V	S-D
Top in Cristalplant® - Thickness: 15 mm.	1510	480	315	SHA516C	S-D
Top in Stone C - Thickness: 20 mm.	1510	480	320	SHA516P	S-D

WITH MOULDED FLUSH-MOUNTED WASHBASIN

Top and washbasin in sanded painted Extralight glass - Thickness: 12 mm.	1510	480	312	SHA916V	S-D
---	------	-----	-----	----------------	------------

COMPOSITION 17A



- L 1660 mm
- 1 base unit for washbasin with 600 mm drawer.
- 1 base unit with 600 mm drawer.
- 1 base unit with 450 mm drawer.
- Drawn=left (S), mirrored=right (D).

WITH CUT-OUT FOR TOP-MOUNTED BASIN / CUT-OUT FOR BUILT-IN BASIN

	L	P	H		
Top in frosted painted Extralight glass - Thickness: 12 mm.	1660	480	312	SHA017V	S-D
Top in Cristalplant® - Thickness: 15 mm.	1660	480	315	SHA017C	S-D
Top in Stone C - Thickness: 20 mm.	1660	480	320	SHA017P	S-D

WITH CUT-OUT FOR UNDER-MOUNTED BASIN.

Top in frosted painted Extralight glass - Thickness: 12 mm.	1660	480	312	SHA517V	S-D
Top in Cristalplant® - Thickness: 15 mm.	1660	480	315	SHA517C	S-D
Top in Stone C - Thickness: 20 mm.	1660	480	320	SHA517P	S-D

S O H O

COMPOSITIONS - Cabinet H 300 mm

Compositions with CUT-OUT for TOP-MOUNTED/BUILT-IN/UNDER-MOUNTED BASINS: PLEASE ADD WASHBASIN + HOLES FOR TAP+ DRAINAGE KIT. ONLY in case of compositions with glass tops and under-mounted washbasin please add always the price for gluing, cod. ZNBD07. The price includes the units, the end panels and the top with cut-out for washbasin.

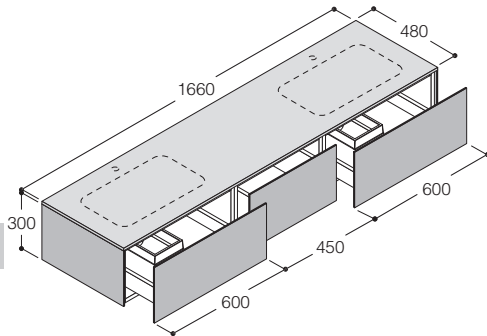
*= The aluminium covering plate is supplied ONLY when compositions have a cut-out for BUILT-IN washbasin.

Compositions with MOULDED FLUSH-MOUNTED WASHBASIN: PLEASE ADD HOLES FOR TAP+ SYPHON.

The price includes the units, the end panels and the glass top with moulded flush-mounted washbasin and waste-drain.

Frosted-painted
Extralight-glass

COMPOSITION 18A



- L 1660 mm
- 1 base unit for washbasin with 600 mm drawer.
- 1 base unit with 450 mm drawer.
- 1 base unit for washbasin with 600 mm drawer.

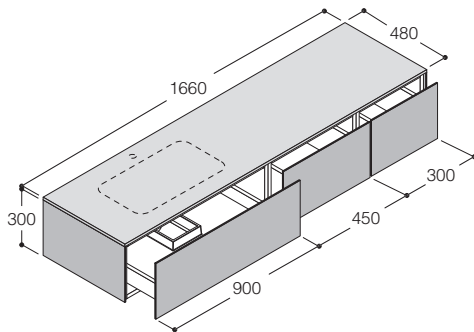
WITH CUT-OUT FOR TOP-MOUNTED BASIN / CUT-OUT FOR BUILT-IN BASIN

	L	P	H	
Top in frosted painted Extralight glass - Thickness: 12 mm.	1660	480	312	SHA018V
Top in Cristalplant® - Thickness: 15 mm.	1660	480	315	SHA018C
Top in Stone C - Thickness: 20 mm.	1660	480	320	SHA018P

WITH CUT-OUT FOR UNDER-MOUNTED BASIN.

Top in frosted painted Extralight glass - Thickness: 12 mm.	1660	480	312	SHA518V
Top in Cristalplant® - Thickness: 15 mm.	1660	480	315	SHA518C
Top in Stone C - Thickness: 20 mm.	1660	480	320	SHA518P

COMPOSITION 19A



- L 1660 mm
- 1 base unit for washbasin with 900 mm drawer.
- 1 base unit with 450 mm drawer.
- 1 base unit with 300 mm drawer.
- Drawn=left (S), mirrored=right (D).

WITH CUT-OUT FOR TOP-MOUNTED BASIN / CUT-OUT FOR BUILT-IN BASIN

	L	P	H		
Top in frosted painted Extralight glass - Thickness: 12 mm.	1660	480	312	SHA019V	S-D
Top in Cristalplant® - Thickness: 15 mm.	1660	480	315	SHA019C	S-D
Top in Stone C - Thickness: 20 mm.	1660	480	320	SHA019P	S-D

WITH CUT-OUT FOR UNDER-MOUNTED BASIN.

Top in frosted painted Extralight glass - Thickness: 12 mm.	1660	480	312	SHA519V	S-D
Top in Cristalplant® - Thickness: 15 mm.	1660	480	315	SHA519C	S-D
Top in Stone C - Thickness: 20 mm.	1660	480	320	SHA519P	S-D

WITH MOULDED FLUSH-MOUNTED WASHBASIN

Top and washbasin in sanded painted Extralight glass - Thickness: 12 mm.	1660	480	312	SHA919V	S-D
--	------	-----	-----	----------------	------------

L = Width
P = Depth
H = Height
Pr = Price code

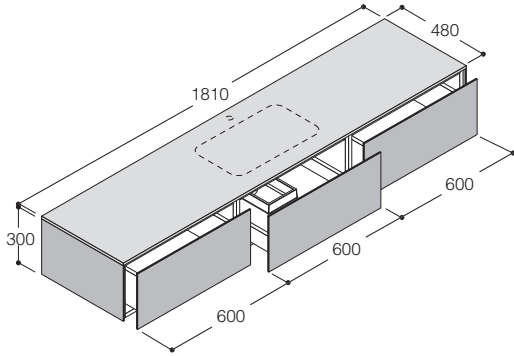
Compositions with CUT-OUT for TOP-MOUNTED/BUILT-IN/UNDER-MOUNTED BASINS: PLEASE ADD WASHBASIN + HOLES FOR TAP+ DRAINAGE KIT. ONLY in case of compositions with glass tops and under-mounted washbasin please add always the price for gluing, cod. ZNBD07. The price includes the units, the end panels and the top with cut-out for washbasin.

*= The aluminium covering plate is supplied ONLY when compositions have a cut-out for BUILT-IN washbasin.

Compositions with MOULDED FLUSH-MOUNTED WASHBASIN: PLEASE ADD HOLES FOR TAP+ SYPHON.

The price includes the units, the end panels and the glass top with moulded flush-mounted washbasin and waste-drain.

COMPOSITION 20A



- L 1810 mm
- 1 base unit with 600 mm drawer.
- 1 base unit for washbasin with 600 mm drawer.
- 1 base unit with 600 mm drawer.

WITH CUT-OUT FOR TOP-MOUNTED BASIN / CUT-OUT FOR BUILT-IN BASIN

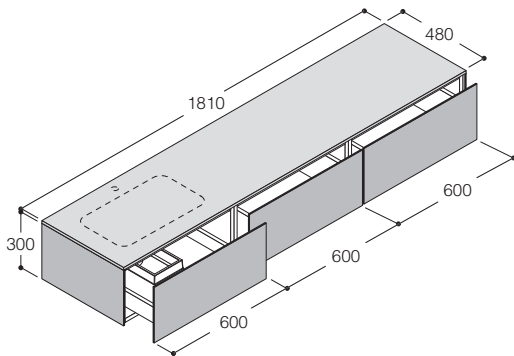
Top in frosted painted Extralight glass - Thickness: 12 mm.....	1810	480	312	SHA020V
Top in Cristalplant® - Thickness: 15 mm.....	1810	480	315	SHA020C
Top in Stone C - Thickness: 20 mm.....	1810	480	320	SHA020P

WITH CUT-OUT FOR UNDER-MOUNTED BASIN.

Top in frosted painted Extralight glass - Thickness: 12 mm.....	1810	480	312	SHA520V
Top in Cristalplant® - Thickness: 15 mm.....	1810	480	315	SHA520C
Top in Stone C - Thickness: 20 mm.....	1810	480	320	SHA520P

L P H

COMPOSITION 21A



- L 1810 mm
- 1 base unit for washbasin with 600 mm drawer.
- 1 base unit with 600 mm drawer.
- 1 base unit with 600 mm drawer.
- Drawn=left (S), mirrored=right (D).

WITH CUT-OUT FOR TOP-MOUNTED BASIN / CUT-OUT FOR BUILT-IN BASIN

Top in frosted painted Extralight glass - Thickness: 12 mm.....	1810	480	312	SHA021V	S-D
Top in Cristalplant® - Thickness: 15 mm.....	1810	480	315	SHA021C	S-D
Top in Stone C - Thickness: 20 mm.....	1810	480	320	SHA021P	S-D

WITH CUT-OUT FOR UNDER-MOUNTED BASIN.

Top in frosted painted Extralight glass - Thickness: 12 mm.....	1810	480	312	SHA521V	S-D
Top in Cristalplant® - Thickness: 15 mm.....	1810	480	315	SHA521C	S-D
Top in Stone C - Thickness: 20 mm.....	1810	480	320	SHA521P	S-D

L P H

S O H O

COMPOSITIONS - Cabinet H 300 mm

Compositions with CUT-OUT for TOP-MOUNTED/BUILT-IN/UNDER-MOUNTED BASINS: PLEASE ADD WASHBASIN + HOLES FOR TAP+ DRAINAGE KIT. ONLY in case of compositions with glass tops and under-mounted washbasin please add always the price for gluing, cod. ZNBD07. The price includes the units, the end panels and the top with cut-out for washbasin.

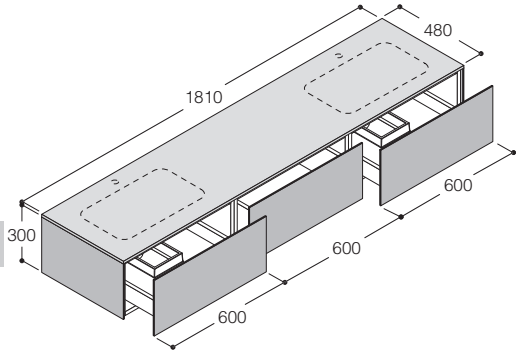
*= The aluminium covering plate is supplied ONLY when compositions have a cut-out for BUILT-IN washbasin.

Compositions with MOULDED FLUSH-MOUNTED WASHBASIN: PLEASE ADD HOLES FOR TAP+ SYPHON.

The price includes the units, the end panels and the glass top with moulded flush-mounted washbasin and waste-drain.

Frosted-painted
Extralight-glass

COMPOSITION 22A



- L 1810 mm
- 1 base unit for washbasin with 600 mm drawer.
- 1 base unit with 600 mm drawer.
- 1 base unit for washbasin with 600 mm drawer.

WITH CUT-OUT FOR TOP-MOUNTED BASIN / CUT-OUT FOR BUILT-IN BASIN

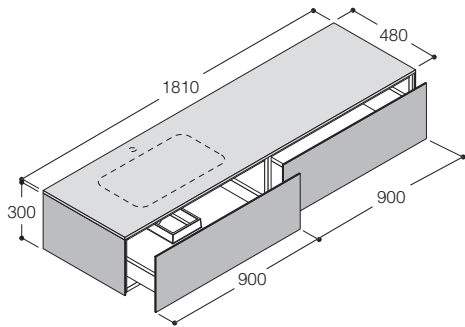
Top in frosted painted Extralight glass - Thickness: 12 mm.	1810	480	312	SHA022V
Top in Cristalplant® - Thickness: 15 mm.	1810	480	315	SHA022C
Top in Stone C - Thickness: 20 mm.	1810	480	320	SHA022P

WITH CUT-OUT FOR UNDER-MOUNTED BASIN.

Top in frosted painted Extralight glass - Thickness: 12 mm.	1810	480	312	SHA522V
Top in Cristalplant® - Thickness: 15 mm.	1810	480	315	SHA522C
Top in Stone C - Thickness: 20 mm.	1810	480	320	SHA522P

L P H

COMPOSITION 23A



- L 1810 mm
- 1 base unit for washbasin with 900 mm drawer.
- 1 base unit with 900 mm drawer.
- Drawn=left (S), mirrored=right (D).

WITH CUT-OUT FOR TOP-MOUNTED BASIN / CUT-OUT FOR BUILT-IN BASIN

Top in frosted painted Extralight glass - Thickness: 12 mm.	1810	480	312	SHA023V	S-D
Top in Cristalplant® - Thickness: 15 mm.	1810	480	315	SHA023C	S-D
Top in Stone C - Thickness: 20 mm.	1810	480	320	SHA023P	S-D

WITH CUT-OUT FOR UNDER-MOUNTED BASIN.

Top in frosted painted Extralight glass - Thickness: 12 mm.	1810	480	312	SHA523V	S-D
Top in Cristalplant® - Thickness: 15 mm.	1810	480	315	SHA523C	S-D
Top in Stone C - Thickness: 20 mm.	1810	480	320	SHA523P	S-D

WITH MOULDED FLUSH-MOUNTED WASHBASIN

Top and washbasin in sanded painted Extralight glass - Thickness: 12 mm.	1810	480	312	SHA923V	S-D
---	------	-----	-----	----------------	------------

L P H

L = Width
P = Depth
H = Height
Pr = Price code

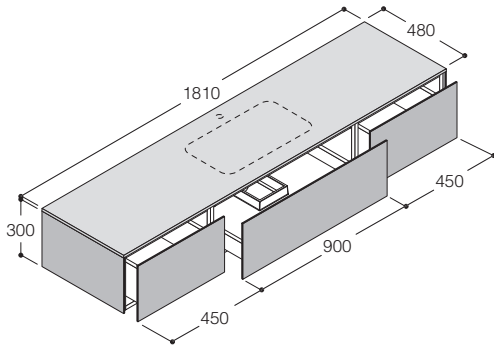
Compositions with CUT-OUT for TOP-MOUNTED/BUILT-IN/UNDER-MOUNTED BASINS: PLEASE ADD WASHBASIN + HOLES FOR TAP+ DRAINAGE KIT. ONLY in case of compositions with glass tops and under-mounted washbasin please add always the price for gluing, cod. ZNBD07. The price includes the units, the end panels and the top with cut-out for washbasin.

*= The aluminium covering plate is supplied ONLY when compositions have a cut-out for BUILT-IN washbasin.

Compositions with MOULDED FLUSH-MOUNTED WASHBASIN: PLEASE ADD HOLES FOR TAP+ SYPHON.

The price includes the units, the end panels and the glass top with moulded flush-mounted washbasin and waste-drain.

COMPOSITION 24A



- L 1810 mm
- 1 base unit with 450 mm drawer.
- 1 base unit for washbasin with 900 mm drawer.
- 1 base unit with 450 mm drawer.

WITH CUT-OUT FOR TOP-MOUNTED BASIN / CUT-OUT FOR BUILT-IN BASIN

Top in frosted painted Extralight glass - Thickness: 12 mm.	1810	480	312	SHA024V
Top in Cristalplant® - Thickness: 15 mm.	1810	480	315	SHA024C
Top in Stone C - Thickness: 20 mm.	1810	480	320	SHA024P

WITH CUT-OUT FOR UNDER-MOUNTED BASIN.

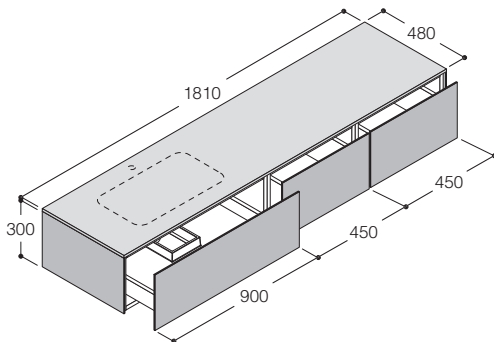
Top in frosted painted Extralight glass - Thickness: 12 mm.	1810	480	312	SHA524V
Top in Cristalplant® - Thickness: 15 mm.	1810	480	315	SHA524C
Top in Stone C - Thickness: 20 mm.	1810	480	320	SHA524P

WITH MOULDED FLUSH-MOUNTED WASHBASIN

Top and washbasin in sanded painted Extralight glass - Thickness: 12 mm.	1810	480	312	SHA924V
---	------	-----	-----	----------------

L P H

COMPOSITION 25A



- L 1810 mm
- 1 base unit for washbasin with 900 mm drawer.
- 1 base unit with 450 mm drawer.
- 1 base unit with 450 mm drawer.
- Drawn=left (S), mirrored=right (D).

WITH CUT-OUT FOR TOP-MOUNTED BASIN / CUT-OUT FOR BUILT-IN BASIN

Top in frosted painted Extralight glass - Thickness: 12 mm.	1810	480	312	SHA025V	S-D
Top in Cristalplant® - Thickness: 15 mm.	1810	480	315	SHA025C	S-D
Top in Stone C - Thickness: 20 mm.	1810	480	320	SHA025P	S-D

WITH CUT-OUT FOR UNDER-MOUNTED BASIN.

Top in frosted painted Extralight glass - Thickness: 12 mm.	1810	480	312	SHA525V	S-D
Top in Cristalplant® - Thickness: 15 mm.	1810	480	315	SHA525C	S-D
Top in Stone C - Thickness: 20 mm.	1810	480	320	SHA525P	S-D

WITH MOULDED FLUSH-MOUNTED WASHBASIN

Top and washbasin in sanded painted Extralight glass - Thickness: 12 mm.	1810	480	312	SHA925V	S-D
---	------	-----	-----	----------------	------------

L P H

S O H O

COMPOSITIONS - Cabinet H 300 mm

Compositions with CUT-OUT for TOP-MOUNTED/BUILT-IN/UNDER-MOUNTED BASINS: PLEASE ADD WASHBASIN + HOLES FOR TAP+ DRAINAGE KIT. ONLY in case of compositions with glass tops and under-mounted washbasin please add always the price for gluing, cod. ZNBD07. The price includes the units, the end panels and the top with cut-out for washbasin.

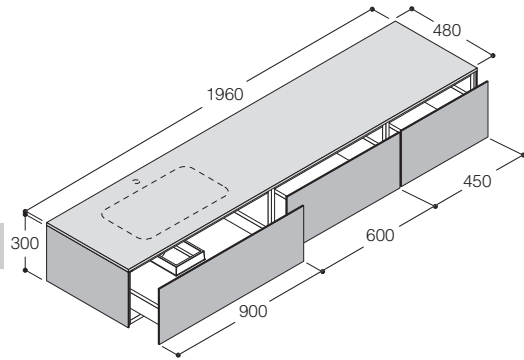
*= The aluminium covering plate is supplied ONLY when compositions have a cut-out for BUILT-IN washbasin.

Compositions with MOULDED FLUSH-MOUNTED WASHBASIN: PLEASE ADD HOLES FOR TAP+ SYPHON.

The price includes the units, the end panels and the glass top with moulded flush-mounted washbasin and waste-drain.

Frosted-painted
Extralight-glass

COMPOSITION 26A



- L 1960 mm
- 1 base unit for washbasin with 900 mm drawer.
- 1 base unit with 600 mm drawer.
- 1 base unit with 450 mm drawer.
- Drawn=left (S), mirrored=right (D).

WITH CUT-OUT FOR TOP-MOUNTED BASIN / CUT-OUT FOR BUILT-IN BASIN

	L	P	H		
Top in frosted painted Extralight glass - Thickness: 12 mm.	1960	480	312	SHA026V	S-D
Top in Cristalplant® - Thickness: 15 mm.	1960	480	315	SHA026C	S-D
Top in Stone C - Thickness: 20 mm.	1960	480	320	SHA026P	S-D

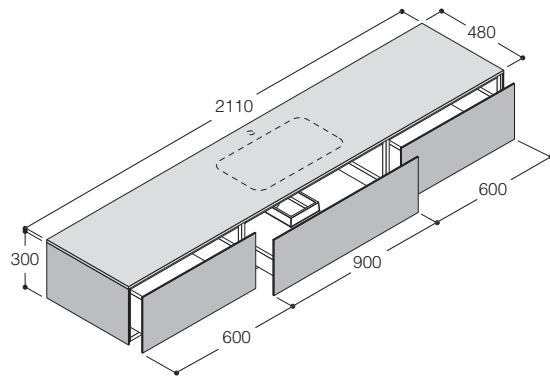
WITH CUT-OUT FOR UNDER-MOUNTED BASIN.

Top in frosted painted Extralight glass - Thickness: 12 mm.	1960	480	312	SHA526V	S-D
Top in Cristalplant® - Thickness: 15 mm.	1960	480	315	SHA526C	S-D
Top in Stone C - Thickness: 20 mm.	1960	480	320	SHA526P	S-D

WITH MOULDED FLUSH-MOUNTED WASHBASIN

Top and washbasin in sanded painted Extralight glass - Thickness: 12 mm.	1960	480	312	SHA926V	S-D
---	------	-----	-----	----------------	------------

COMPOSITION 27A



- L 2110 mm
- 1 base unit with 600 mm drawer.
- 1 base unit for washbasin with 900 mm drawer.
- 1 base unit with 600 mm drawer.

WITH CUT-OUT FOR TOP-MOUNTED BASIN / CUT-OUT FOR BUILT-IN BASIN

	L	P	H		
Top in frosted painted Extralight glass - Thickness: 12 mm.	2110	480	312	SHA027V	
Top in Cristalplant® - Thickness: 15 mm.	2110	480	315	SHA027C	
Top in Stone C - Thickness: 20 mm.	2110	480	320	SHA027P	

WITH CUT-OUT FOR UNDER-MOUNTED BASIN.

Top in frosted painted Extralight glass - Thickness: 12 mm.	2110	480	312	SHA527V	
Top in Cristalplant® - Thickness: 15 mm.	2110	480	315	SHA527C	
Top in Stone C - Thickness: 20 mm.	2110	480	320	SHA527P	

L = Width
P = Depth
H = Height
Pr = Price code

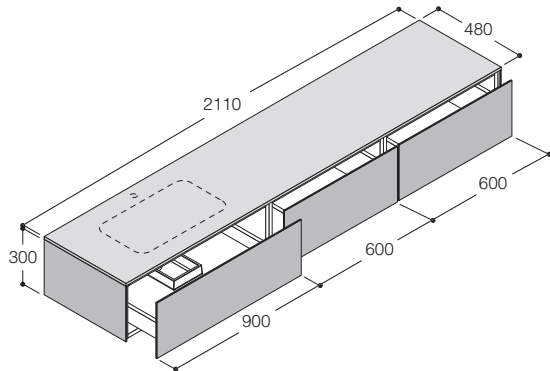
Compositions with CUT-OUT for TOP-MOUNTED/BUILT-IN/UNDER-MOUNTED BASINS: PLEASE ADD WASHBASIN + HOLES FOR TAP+ DRAINAGE KIT. ONLY in case of compositions with glass tops and under-mounted washbasin please add always the price for gluing, cod. ZNBD07. The price includes the units, the end panels and the top with cut-out for washbasin.

*= The aluminium covering plate is supplied ONLY when compositions have a cut-out for BUILT-IN washbasin.

Compositions with MOULDED FLUSH-MOUNTED WASHBASIN: PLEASE ADD HOLES FOR TAP+ SYPHON.

The price includes the units, the end panels and the glass top with moulded flush-mounted washbasin and waste-drain.

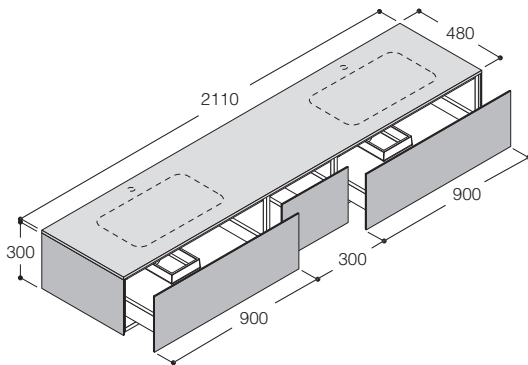
COMPOSITION 28A



- L 2110 mm
- 1 base unit for washbasin with 900 mm drawer.
- 1 base unit with 600 mm drawer.
- 1 base unit with 600 mm drawer.
- Drawn=left (S), mirrored=right (D).

	L	P	H		
WITH CUT-OUT FOR TOP-MOUNTED BASIN / CUT-OUT FOR BUILT-IN BASIN					
Top in frosted painted Extralight glass - Thickness: 12 mm.....	2110	480	312	SHA028V	S-D
Top in Cristalplant® - Thickness: 15 mm.....	2110	480	315	SHA028C	S-D
Top in Stone C - Thickness: 20 mm.....	2110	480	320	SHA028P	S-D
WITH CUT-OUT FOR UNDER-MOUNTED BASIN.					
Top in frosted painted Extralight glass - Thickness: 12 mm.....	2110	480	312	SHA528V	S-D
Top in Cristalplant® - Thickness: 15 mm.....	2110	480	315	SHA528C	S-D
Top in Stone C - Thickness: 20 mm.....	2110	480	320	SHA528P	S-D
WITH MOULDED FLUSH-MOUNTED WASHBASIN					
Top and washbasin in sanded painted Extralight glass - Thickness: 12 mm.....	2110	480	312	SHA928V	S-D

COMPOSITION 29A



- L 2110 mm
- 1 base unit for washbasin with 900 mm drawer.
- 1 base unit with 300 mm drawer.
- 1 base unit for washbasin with 900 mm drawer.

	L	P	H		
WITH CUT-OUT FOR TOP-MOUNTED BASIN / CUT-OUT FOR BUILT-IN BASIN					
Top in frosted painted Extralight glass - Thickness: 12 mm.....	2110	480	312	SHA029V	
Top in Cristalplant® - Thickness: 15 mm.....	2110	480	315	SHA029C	
Top in Stone C - Thickness: 20 mm.....	2110	480	320	SHA029P	
WITH CUT-OUT FOR UNDER-MOUNTED BASIN.					
Top in frosted painted Extralight glass - Thickness: 12 mm.....	2110	480	312	SHA529V	
Top in Cristalplant® - Thickness: 15 mm.....	2110	480	315	SHA529C	
Top in Stone C - Thickness: 20 mm.....	2110	480	320	SHA529P	

S O H O

COMPOSITIONS - Cabinet H 300 mm

Compositions with CUT-OUT for TOP-MOUNTED/BUILT-IN/UNDER-MOUNTED BASINS: PLEASE ADD WASHBASIN + HOLES FOR TAP+ DRAINAGE KIT. ONLY in case of compositions with glass tops and under-mounted washbasin please add always the price for gluing, cod. ZNBD07. The price includes the units, the end panels and the top with cut-out for washbasin.

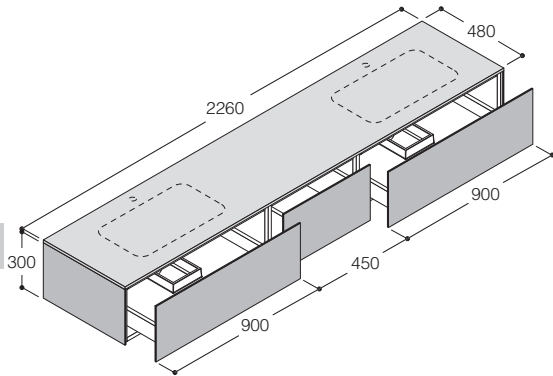
*= The aluminium covering plate is supplied ONLY when compositions have a cut-out for BUILT-IN washbasin.

Compositions with MOULDED FLUSH-MOUNTED WASHBASIN: PLEASE ADD HOLES FOR TAP+ SYPHON.

The price includes the units, the end panels and the glass top with moulded flush-mounted washbasin and waste-drain.

Frosted-painted
Extralight-glass

COMPOSITION 30A



- L 2260 mm
- 1 base unit for washbasin with 900 mm drawer.
- 1 base unit with 450 mm drawer.
- 1 base unit for washbasin with 900 mm drawer.

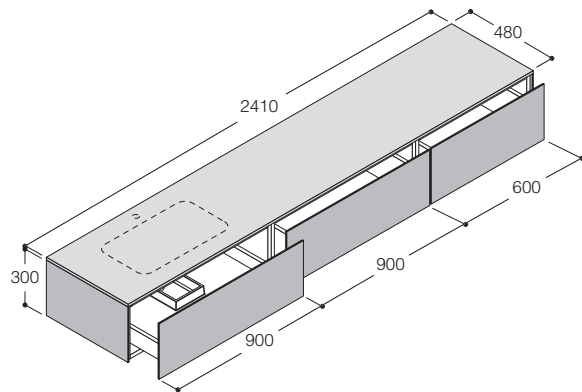
WITH CUT-OUT FOR TOP-MOUNTED BASIN / CUT-OUT FOR BUILT-IN BASIN

	L	P	H	
Top in frosted painted Extralight glass - Thickness: 12 mm.	2260	480	312	SHA030V
Top in Cristalplant® - Thickness: 15 mm.	2260	480	315	SHA030C
Top in Stone C - Thickness: 20 mm.	2260	480	320	SHA030P

WITH CUT-OUT FOR UNDER-MOUNTED BASIN.

Top in frosted painted Extralight glass - Thickness: 12 mm.	2260	480	312	SHA530V
Top in Cristalplant® - Thickness: 15 mm.	2260	480	315	SHA530C
Top in Stone C - Thickness: 20 mm.	2260	480	320	SHA530P

COMPOSITION 31A



- L 2410 mm
- 1 base unit for washbasin with 900 mm drawer.
- 1 base unit with 900 mm drawer.
- 1 base unit with 600 mm drawer.
- Drawn=left (S), mirrored=right (D).

WITH CUT-OUT FOR TOP-MOUNTED BASIN / CUT-OUT FOR BUILT-IN BASIN

	L	P	H		
Top in frosted painted Extralight glass - Thickness: 12 mm.	2410	480	312	SHA031V	S-D
Top in Cristalplant® - Thickness: 15 mm.	2410	480	315	SHA031C	S-D
Top in Stone C - Thickness: 20 mm.	2410	480	320	SHA031P	S-D

WITH CUT-OUT FOR UNDER-MOUNTED BASIN.

Top in frosted painted Extralight glass - Thickness: 12 mm.	2410	480	312	SHA531V	S-D
Top in Cristalplant® - Thickness: 15 mm.	2410	480	315	SHA531C	S-D
Top in Stone C - Thickness: 20 mm.	2410	480	320	SHA531P	S-D

WITH MOULDED FLUSH-MOUNTED WASHBASIN

Top and washbasin in sanded painted Extralight glass - Thickness: 12 mm.	2410	480	312	SHA931V	S-D
---	------	-----	-----	----------------	------------

L = Width
P = Depth
H = Height
Pr = Price code

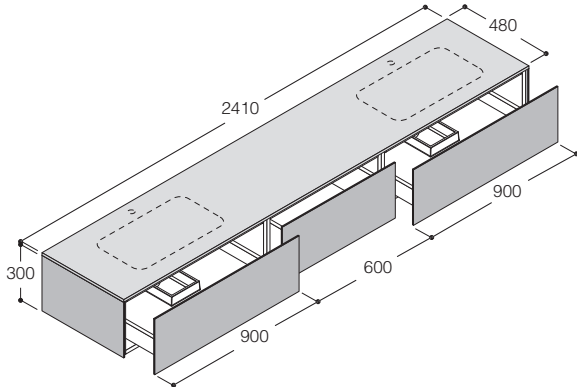
Compositions with CUT-OUT for TOP-MOUNTED/BUILT-IN/UNDER-MOUNTED BASINS: PLEASE ADD WASHBASIN + HOLES FOR TAP+ DRAINAGE KIT. ONLY in case of compositions with glass tops and under-mounted washbasin please add always the price for gluing, cod. ZNBD07. The price includes the units, the end panels and the top with cut-out for washbasin.

*= The aluminium covering plate is supplied ONLY when compositions have a cut-out for BUILT-IN washbasin.

Compositions with MOULDED FLUSH-MOUNTED WASHBASIN: PLEASE ADD HOLES FOR TAP+ SYPHON.

The price includes the units, the end panels and the glass top with moulded flush-mounted washbasin and waste-drain.

COMPOSITION 32A



- L 2410 mm
- 1 base unit for washbasin with 900 mm drawer.
- 1 base unit with 600 mm drawer.
- 1 base unit for washbasin with 900 mm drawer.

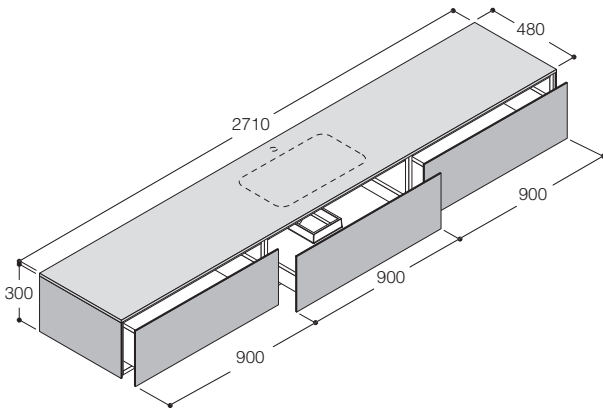
WITH CUT-OUT FOR TOP-MOUNTED BASIN / CUT-OUT FOR BUILT-IN BASIN

	L	P	H	
Top in frosted painted Extralight glass - Thickness: 12 mm.....	2410	480	312	SHA032V
Top in Cristalplant® - Thickness: 15 mm.....	2410	480	315	SHA032C
Top in Stone C - Thickness: 20 mm.....	2410	480	320	SHA032P

WITH CUT-OUT FOR UNDER-MOUNTED BASIN.

Top in frosted painted Extralight glass - Thickness: 12 mm.....	2410	480	312	SHA532V
Top in Cristalplant® - Thickness: 15 mm.....	2410	480	315	SHA532C
Top in Stone C - Thickness: 20 mm.....	2410	480	320	SHA532P

COMPOSITION 33A



- L 2710 mm
- 1 base unit with 900 mm drawer.
- 1 base unit for washbasin with 900 mm drawer.
- 1 base unit with 900 mm drawer.

WITH CUT-OUT FOR TOP-MOUNTED BASIN / CUT-OUT FOR BUILT-IN BASIN

	L	P	H	
Top in frosted painted Extralight glass - Thickness: 12 mm.....	2710	480	312	SHA033V
Top in Cristalplant® - Thickness: 15 mm.....	2710	480	315	SHA033C
Top in Stone C - Thickness: 20 mm.....	2710	480	320	SHA033P

WITH CUT-OUT FOR UNDER-MOUNTED BASIN.

Top in frosted painted Extralight glass - Thickness: 12 mm.....	2710	480	312	SHA533V
Top in Cristalplant® - Thickness: 15 mm.....	2710	480	315	SHA533C
Top in Stone C - Thickness: 20 mm.....	2710	480	320	SHA533P

S O H O

COMPOSITIONS - Cabinet H 300 mm

Compositions with CUT-OUT for TOP-MOUNTED/BUILT-IN/UNDER-MOUNTED BASINS: PLEASE ADD WASHBASIN + HOLES FOR TAP+ DRAINAGE KIT. ONLY in case of compositions with glass tops and under-mounted washbasin please add always the price for gluing, cod. ZNBD07. The price includes the units, the end panels and the top with cut-out for washbasin.

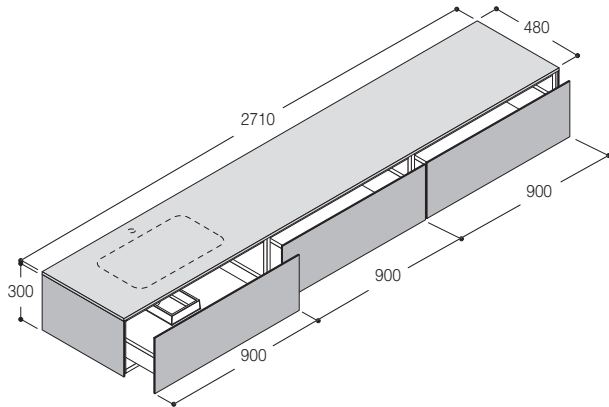
*= The aluminium covering plate is supplied ONLY when compositions have a cut-out for BUILT-IN washbasin.

Compositions with MOULDED FLUSH-MOUNTED WASHBASIN: PLEASE ADD HOLES FOR TAP+ SYPHON.

The price includes the units, the end panels and the glass top with moulded flush-mounted washbasin and waste-drain.

Frosted-painted
Extralight-glass

COMPOSITION 34A



- L 2710 mm
- 1 base unit for washbasin with 900 mm drawer.
- 1 base unit with 900 mm drawer.
- 1 base unit with 900 mm drawer.
- Drawn=left (S), mirrored=right (D).

WITH CUT-OUT FOR TOP-MOUNTED BASIN / CUT-OUT FOR BUILT-IN BASIN

	L	P	H	Code	Option
Top in frosted painted Extralight glass - Thickness: 12 mm.	2710	480	312	SHA034V	S-D
Top in Cristalplant® - Thickness: 15 mm.	2710	480	315	SHA034C	S-D
Top in Stone C - Thickness: 20 mm.	2710	480	320	SHA034P	S-D

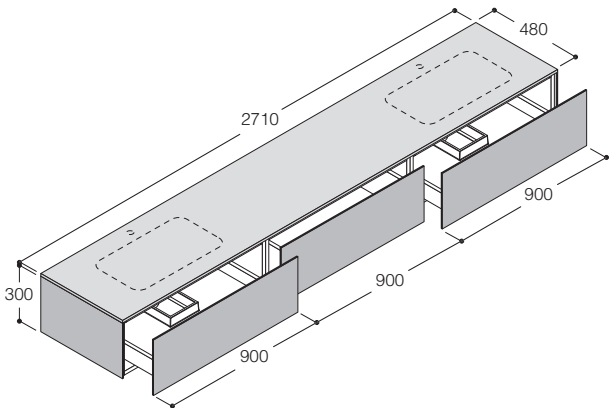
WITH CUT-OUT FOR UNDER-MOUNTED BASIN.

Top in frosted painted Extralight glass - Thickness: 12 mm.	2710	480	312	SHA534V	S-D
Top in Cristalplant® - Thickness: 15 mm.	2710	480	315	SHA534C	S-D
Top in Stone C - Thickness: 20 mm.	2710	480	320	SHA534P	S-D

WITH MOULDED FLUSH-MOUNTED WASHBASIN

Top and washbasin in sanded painted Extralight glass - Thickness: 12 mm.	2710	480	312	SHA934V	S-D
---	------	-----	-----	----------------	------------

COMPOSITION 35A



- L 2710 mm
- 1 base unit for washbasin with 900 mm drawer.
- 1 base unit with 900 mm drawer.
- 1 base unit for washbasin with 900 mm drawer.

WITH CUT-OUT FOR TOP-MOUNTED BASIN / CUT-OUT FOR BUILT-IN BASIN

Top in frosted painted Extralight glass - Thickness: 12 mm.	2710	480	312	SHA035V	
Top in Cristalplant® - Thickness: 15 mm.	2710	480	315	SHA035C	
Top in Stone C - Thickness: 20 mm.	2710	480	320	SHA035P	

WITH CUT-OUT FOR UNDER-MOUNTED BASIN.

Top in frosted painted Extralight glass - Thickness: 12 mm.	2710	480	312	SHA535V	
Top in Cristalplant® - Thickness: 15 mm.	2710	480	315	SHA535C	
Top in Stone C - Thickness: 20 mm.	2710	480	320	SHA535P	

L = Width
P = Depth
H = Height
Pr = Price code

Compositions with CUT-OUT for TOP-MOUNTED/BUILT-IN/UNDER-MOUNTED BASINS: PLEASE ADD WASHBASIN + HOLES FOR TAP+ DRAINAGE KIT. ONLY in case of compositions with glass tops and under-mounted washbasin please add always the price for gluing, cod. ZNBD07.

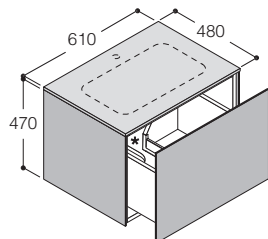
The price includes the units, the end panels and the top with cut-out for washbasin.

*= The aluminium covering plate is supplied ONLY when compositions have a cut-out for BUILT-IN washbasin.

Compositions with MOULDED FLUSH-MOUNTED WASHBASIN: PLEASE ADD HOLES FOR TAP+ SYPHON.

The price includes the units, the end panels and the glass top with moulded flush-mounted washbasin and waste-drain.

COMPOSITION 1B



- L 610 mm
- 1 base unit for washbasin with 600 mm drawer.

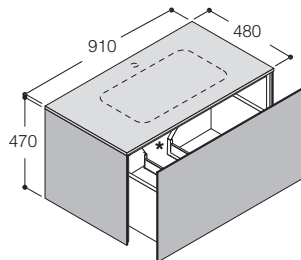
WITH CUT-OUT FOR TOP-MOUNTED BASIN / CUT-OUT FOR BUILT-IN BASIN

	L	P	H	
Top in frosted painted Extralight glass - Thickness: 12 mm.....	610	480	482	SHB001V
Top in Cristalplant® - Thickness: 15 mm.....	610	480	485	SHB001C
Top in Stone C - Thickness: 20 mm.....	610	480	490	SHB001P

WITH CUT-OUT FOR UNDER-MOUNTED BASIN.

Top in frosted painted Extralight glass - Thickness: 12 mm.....	610	480	482	SHB501V
Top in Cristalplant® - Thickness: 15 mm.....	610	480	485	SHB501C
Top in Stone C - Thickness: 20 mm.....	610	480	490	SHB501P

COMPOSITION 2B



- L 910 mm
- 1 base unit for washbasin with 900 mm drawer.

WITH CUT-OUT FOR TOP-MOUNTED BASIN / CUT-OUT FOR BUILT-IN BASIN

	L	P	H	
Top in frosted painted Extralight glass - Thickness: 12 mm.....	910	480	482	SHB002V
Top in Cristalplant® - Thickness: 15 mm.....	910	480	485	SHB002C
Top in Stone C - Thickness: 20 mm.....	910	480	490	SHB002P

WITH CUT-OUT FOR UNDER-MOUNTED BASIN.

Top in frosted painted Extralight glass - Thickness: 12 mm.....	910	480	482	SHB502V
Top in Cristalplant® - Thickness: 15 mm.....	910	480	485	SHB502C
Top in Stone C - Thickness: 20 mm.....	910	480	490	SHB502P

WITH MOULDED FLUSH-MOUNTED WASHBASIN

Top and washbasin in sanded painted Extralight glass - Thickness: 12 mm.....	910	480	482	SHB902V
--	-----	-----	-----	----------------

S O H O

COMPOSITIONS - Cabinet H 470 mm

Compositions with CUT-OUT for TOP-MOUNTED/BUILT-IN/UNDER-MOUNTED BASINS: PLEASE ADD WASHBASIN + HOLES FOR TAP+ DRAINAGE KIT. ONLY in case of compositions with glass tops and under-mounted washbasin please add always the price for gluing, cod. ZNBD07.

The price includes the units, the end panels and the top with cut-out for washbasin.

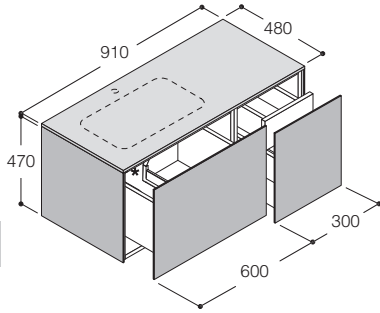
*= The aluminium covering plate is supplied ONLY when compositions have a cut-out for BUILT-IN washbasin.

Compositions with MOULDED FLUSH-MOUNTED WASHBASIN: PLEASE ADD HOLES FOR TAP+ SYPHON.

The price includes the units, the end panels and the glass top with moulded flush-mounted washbasin and waste-drain.

Frosted-painted
Extralight-glass

COMPOSITION 3B



- L 910 mm
- 1 base unit for washbasin with 600 mm drawer.
- 1 base unit with drawer + 300 mm internal drawer.
- Drawn=left (S), mirrored=right (D).

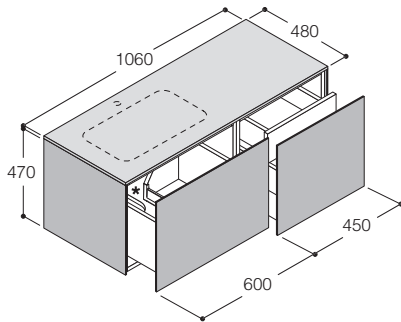
WITH CUT-OUT FOR TOP-MOUNTED BASIN / CUT-OUT FOR BUILT-IN BASIN

	L	P	H	Code	Option
Top in frosted painted Extralight glass - Thickness: 12 mm.	910	480	482	SHB003V	S-D
Top in Cristalplant® - Thickness: 15 mm.	910	480	485	SHB003C	S-D
Top in Stone C - Thickness: 20 mm.	910	480	490	SHB003P	S-D

WITH CUT-OUT FOR UNDER-MOUNTED BASIN.

Top in frosted painted Extralight glass - Thickness: 12 mm.	910	480	482	SHB503V	S-D
Top in Cristalplant® - Thickness: 15 mm.	910	480	485	SHB503C	S-D
Top in Stone C - Thickness: 20 mm.	910	480	490	SHB503P	S-D

COMPOSITION 4B



- L 1060 mm
- 1 base unit for washbasin with 600 mm drawer.
- 1 base unit with drawer + 450 mm internal drawer.
- Drawn=left (S), mirrored=right (D).

WITH CUT-OUT FOR TOP-MOUNTED BASIN / CUT-OUT FOR BUILT-IN BASIN

Top in frosted painted Extralight glass - Thickness: 12 mm.	1060	480	482	SHB004V	S-D
Top in Cristalplant® - Thickness: 15 mm.	1060	480	485	SHB004C	S-D
Top in Stone C - Thickness: 20 mm.	1060	480	490	SHB004P	S-D

WITH CUT-OUT FOR UNDER-MOUNTED BASIN.

Top in frosted painted Extralight glass - Thickness: 12 mm.	1060	480	482	SHB504V	S-D
Top in Cristalplant® - Thickness: 15 mm.	1060	480	485	SHB504C	S-D
Top in Stone C - Thickness: 20 mm.	1060	480	490	SHB504P	S-D

L = Width
P = Depth
H = Height
Pr = Price code

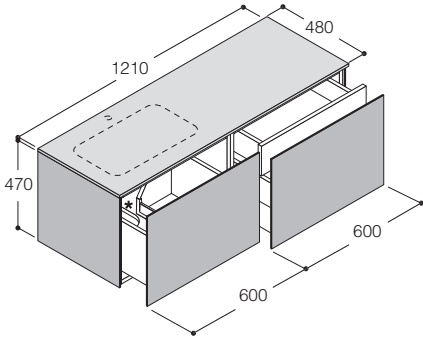
Compositions with CUT-OUT for TOP-MOUNTED/BUILT-IN/UNDER-MOUNTED BASINS: PLEASE ADD WASHBASIN + HOLES FOR TAP+ DRAINAGE KIT. ONLY in case of compositions with glass tops and under-mounted washbasin please add always the price for gluing, cod. ZNBD07. The price includes the units, the end panels and the top with cut-out for washbasin.

*= The aluminium covering plate is supplied ONLY when compositions have a cut-out for BUILT-IN washbasin.

Compositions with MOULDED FLUSH-MOUNTED WASHBASIN: PLEASE ADD HOLES FOR TAP+ SYPHON.

The price includes the units, the end panels and the glass top with moulded flush-mounted washbasin and waste-drain.

COMPOSITION 5B



- L 1210 mm
- 1 base unit for washbasin with 600 mm drawer.
- 1 base unit with drawer + 600 mm internal drawer.
- Drawn=left (S), mirrored=right (D).

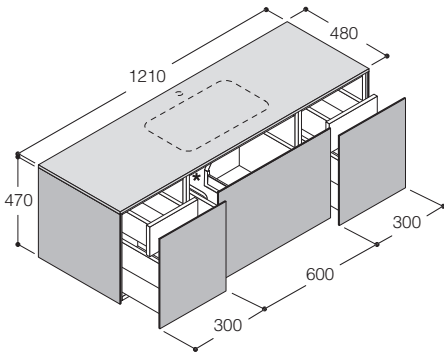
WITH CUT-OUT FOR TOP-MOUNTED BASIN / CUT-OUT FOR BUILT-IN BASIN

	L	P	H		
Top in frosted painted Extralight glass - Thickness: 12 mm.....	1210	480	482	SHB005V	S-D
Top in Cristalplant® - Thickness: 15 mm.....	1210	480	485	SHB005C	S-D
Top in Stone C - Thickness: 20 mm.....	1210	480	490	SHB005P	S-D

WITH CUT-OUT FOR UNDER-MOUNTED BASIN.

Top in frosted painted Extralight glass - Thickness: 12 mm.....	1210	480	482	SHB505V	S-D
Top in Cristalplant® - Thickness: 15 mm.....	1210	480	485	SHB505C	S-D
Top in Stone C - Thickness: 20 mm.....	1210	480	490	SHB505P	S-D

COMPOSITION 6B



- L 1210 mm
- 1 base unit with drawer + 300 mm internal drawer.
- 1 base unit for washbasin with 600 mm drawer.
- 1 base unit with drawer + 300 mm internal drawer.

WITH CUT-OUT FOR TOP-MOUNTED BASIN / CUT-OUT FOR BUILT-IN BASIN

	L	P	H		
Top in frosted painted Extralight glass - Thickness: 12 mm.....	1210	480	482	SHB006V	
Top in Cristalplant® - Thickness: 15 mm.....	1210	480	485	SHB006C	
Top in Stone C - Thickness: 20 mm.....	1210	480	490	SHB006P	

WITH CUT-OUT FOR UNDER-MOUNTED BASIN.

Top in frosted painted Extralight glass - Thickness: 12 mm.....	1210	480	482	SHB506V	
Top in Cristalplant® - Thickness: 15 mm.....	1210	480	485	SHB506C	
Top in Stone C - Thickness: 20 mm.....	1210	480	490	SHB506P	

S O H O

COMPOSITIONS - Cabinet H 470 mm

Compositions with CUT-OUT for TOP-MOUNTED/BUILT-IN/UNDER-MOUNTED BASINS: PLEASE ADD WASHBASIN + HOLES FOR TAP+ DRAINAGE KIT. ONLY in case of compositions with glass tops and under-mounted washbasin please add always the price for gluing, cod. ZNBD07.

The price includes the units, the end panels and the top with cut-out for washbasin.

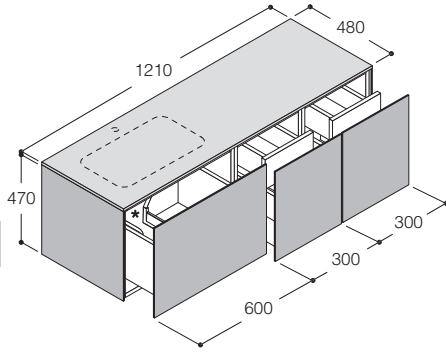
*= The aluminium covering plate is supplied ONLY when compositions have a cut-out for BUILT-IN washbasin.

Compositions with MOULDED FLUSH-MOUNTED WASHBASIN: PLEASE ADD HOLES FOR TAP+ SYPHON.

The price includes the units, the end panels and the glass top with moulded flush-mounted washbasin and waste-drain.

Frosted-painted
Extralight-glass

COMPOSITION 7B



- L 1210 mm
- 1 base unit for washbasin with 600 mm drawer.
- 1 base unit with drawer + 300 mm internal drawer.
- 1 base unit with drawer + 300 mm internal drawer.
- Drawn=left (S), mirrored=right (D).

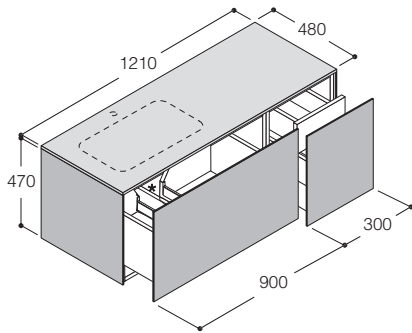
WITH CUT-OUT FOR TOP-MOUNTED BASIN / CUT-OUT FOR BUILT-IN BASIN

	L	P	H		
Top in frosted painted Extralight glass - Thickness: 12 mm.	1210	480	482	SHB007V	S-D
Top in Cristalplant® - Thickness: 15 mm.	1210	480	485	SHB007C	S-D
Top in Stone C - Thickness: 20 mm.	1210	480	490	SHB007P	S-D

WITH CUT-OUT FOR UNDER-MOUNTED BASIN.

Top in frosted painted Extralight glass - Thickness: 12 mm.	1210	480	482	SHB507V	S-D
Top in Cristalplant® - Thickness: 15 mm.	1210	480	485	SHB507C	S-D
Top in Stone C - Thickness: 20 mm.	1210	480	490	SHB507P	S-D

COMPOSITION 8B



- L 1210 mm
- 1 base unit for washbasin with 900 mm drawer.
- 1 base unit with drawer + 300 mm internal drawer.
- Drawn=left (S), mirrored=right (D).

WITH CUT-OUT FOR TOP-MOUNTED BASIN / CUT-OUT FOR BUILT-IN BASIN

	L	P	H		
Top in frosted painted Extralight glass - Thickness: 12 mm.	1210	480	482	SHB008V	S-D
Top in Cristalplant® - Thickness: 15 mm.	1210	480	485	SHB008C	S-D
Top in Stone C - Thickness: 20 mm.	1210	480	490	SHB008P	S-D

WITH CUT-OUT FOR UNDER-MOUNTED BASIN.

Top in frosted painted Extralight glass - Thickness: 12 mm.	1210	480	482	SHB508V	S-D
Top in Cristalplant® - Thickness: 15 mm.	1210	480	485	SHB508C	S-D
Top in Stone C - Thickness: 20 mm.	1210	480	490	SHB508P	S-D

WITH MOULDED FLUSH-MOUNTED WASHBASIN

Top and washbasin in sanded painted Extralight glass - Thickness: 12 mm.	1210	480	482	SHB908V	S-D
--	------	-----	-----	----------------	------------

L = Width
P = Depth
H = Height
Pr = Price code

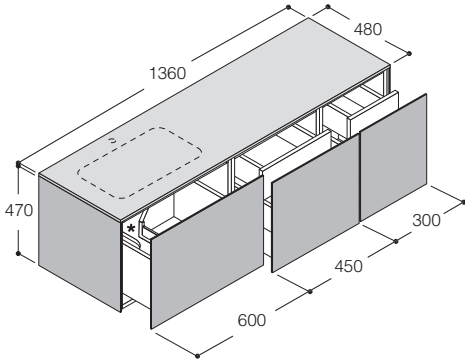
Compositions with CUT-OUT for TOP-MOUNTED/BUILT-IN/UNDER-MOUNTED BASINS: PLEASE ADD WASHBASIN + HOLES FOR TAP+ DRAINAGE KIT. ONLY in case of compositions with glass tops and under-mounted washbasin please add always the price for gluing, cod. ZNBD07. The price includes the units, the end panels and the top with cut-out for washbasin.

*= The aluminium covering plate is supplied ONLY when compositions have a cut-out for BUILT-IN washbasin.

Compositions with MOULDED FLUSH-MOUNTED WASHBASIN: PLEASE ADD HOLES FOR TAP+ SYPHON.

The price includes the units, the end panels and the glass top with moulded flush-mounted washbasin and waste-drain.

COMPOSITION 9B



- L 1360 mm
- 1 base unit for washbasin with 600 mm drawer.
- 1 base unit with drawer + 450 mm internal drawer.
- 1 base unit with drawer + 300 mm internal drawer.
- Drawn=left (S), mirrored=right (D).

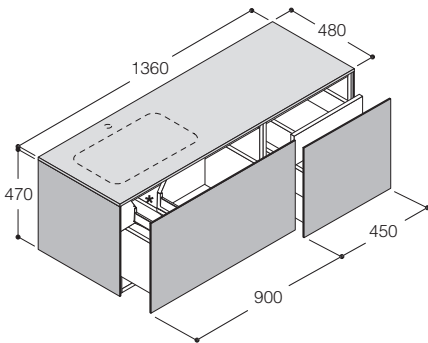
WITH CUT-OUT FOR TOP-MOUNTED BASIN / CUT-OUT FOR BUILT-IN BASIN

	L	P	H		
Top in frosted painted Extralight glass - Thickness: 12 mm.....	1360	480	482	SHB009V	S-D
Top in Cristalplant® - Thickness: 15 mm.....	1360	480	485	SHB009C	S-D
Top in Stone C - Thickness: 20 mm.....	1360	480	490	SHB009P	S-D

WITH CUT-OUT FOR UNDER-MOUNTED BASIN.

Top in frosted painted Extralight glass - Thickness: 12 mm.....	1360	480	482	SHB509V	S-D
Top in Cristalplant® - Thickness: 15 mm.....	1360	480	485	SHB509C	S-D
Top in Stone C - Thickness: 20 mm.....	1360	480	490	SHB509P	S-D

COMPOSITION 10B



- L 1360 mm
- 1 base unit for washbasin with 900 mm drawer.
- 1 base unit with drawer + 450 mm internal drawer.
- Drawn=left (S), mirrored=right (D).

WITH CUT-OUT FOR TOP-MOUNTED BASIN / CUT-OUT FOR BUILT-IN BASIN

	L	P	H		
Top in frosted painted Extralight glass - Thickness: 12 mm.....	1360	480	482	SHB010V	S-D
Top in Cristalplant® - Thickness: 15 mm.....	1360	480	485	SHB010C	S-D
Top in Stone C - Thickness: 20 mm.....	1360	480	490	SHB010P	S-D

WITH CUT-OUT FOR UNDER-MOUNTED BASIN.

Top in frosted painted Extralight glass - Thickness: 12 mm.....	1360	480	482	SHB510V	S-D
Top in Cristalplant® - Thickness: 15 mm.....	1360	480	485	SHB510C	S-D
Top in Stone C - Thickness: 20 mm.....	1360	480	490	SHB510P	S-D

WITH MOULDED FLUSH-MOUNTED WASHBASIN

Top and washbasin in sanded painted Extralight glass - Thickness: 12 mm.....	1360	480	482	SHB910V	S-D
--	------	-----	-----	----------------	------------

S O H O

COMPOSITIONS - Cabinet H 470 mm

Compositions with CUT-OUT for TOP-MOUNTED/BUILT-IN/UNDER-MOUNTED BASINS: PLEASE ADD WASHBASIN + HOLES FOR TAP+ DRAINAGE KIT. ONLY in case of compositions with glass tops and under-mounted washbasin please add always the price for gluing, cod. ZNBD07. The price includes the units, the end panels and the top with cut-out for washbasin.

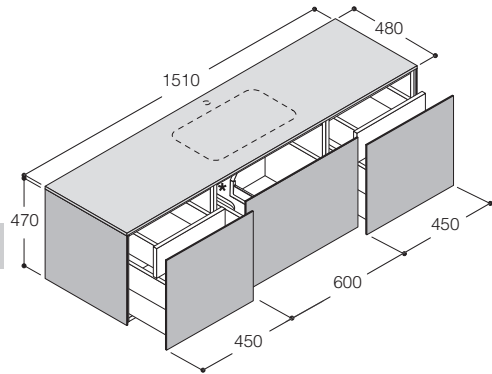
*= The aluminium covering plate is supplied ONLY when compositions have a cut-out for BUILT-IN washbasin.

Compositions with MOULDED FLUSH-MOUNTED WASHBASIN: PLEASE ADD HOLES FOR TAP+ SYPHON.

The price includes the units, the end panels and the glass top with moulded flush-mounted washbasin and waste-drain.

Frosted-painted
Extralight-glass

COMPOSITION 11B



- L 1510 mm
- 1 base unit with drawer + 450 mm internal drawer.
- 1 base unit for washbasin with 600 mm drawer.
- 1 base unit with drawer + 450 mm internal drawer.

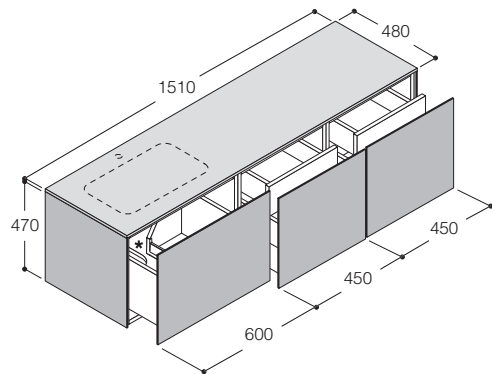
WITH CUT-OUT FOR TOP-MOUNTED BASIN / CUT-OUT FOR BUILT-IN BASIN

	L	P	H	
Top in frosted painted Extralight glass - Thickness: 12 mm.	1510	480	482	SHB011V
Top in Cristalplant® - Thickness: 15 mm.	1510	480	485	SHB011C
Top in Stone C - Thickness: 20 mm.	1510	480	490	SHB011P

WITH CUT-OUT FOR UNDER-MOUNTED BASIN.

Top in frosted painted Extralight glass - Thickness: 12 mm.	1510	480	482	SHB511V
Top in Cristalplant® - Thickness: 15 mm.	1510	480	485	SHB511C
Top in Stone C - Thickness: 20 mm.	1510	480	490	SHB511P

COMPOSITION 12B



- L 1510 mm
- 1 base unit for washbasin with 600 mm drawer.
- 1 base unit with drawer + 450 mm internal drawer.
- 1 base unit with drawer + 450 mm internal drawer.
- Drawn=left (S), mirrored=right (D).

WITH CUT-OUT FOR TOP-MOUNTED BASIN / CUT-OUT FOR BUILT-IN BASIN

	L	P	H		
Top in frosted painted Extralight glass - Thickness: 12 mm.	1510	480	482	SHB012V	S-D
Top in Cristalplant® - Thickness: 15 mm.	1510	480	485	SHB012C	S-D
Top in Stone C - Thickness: 20 mm.	1510	480	490	SHB012P	S-D

WITH CUT-OUT FOR UNDER-MOUNTED BASIN.

Top in frosted painted Extralight glass - Thickness: 12 mm.	1510	480	482	SHB512V	S-D
Top in Cristalplant® - Thickness: 15 mm.	1510	480	485	SHB512C	S-D
Top in Stone C - Thickness: 20 mm.	1510	480	490	SHB512P	S-D

L = Width
P = Depth
H = Height
Pr = Price code

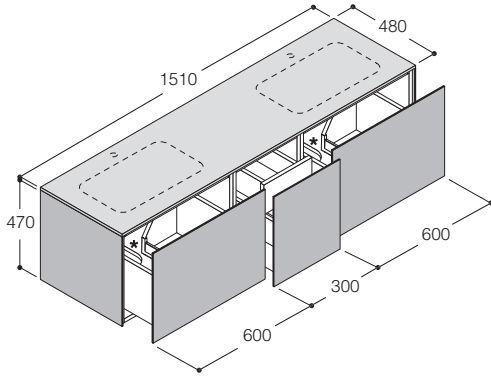
Compositions with CUT-OUT for TOP-MOUNTED/BUILT-IN/UNDER-MOUNTED BASINS: PLEASE ADD WASHBASIN + HOLES FOR TAP+ DRAINAGE KIT. ONLY in case of compositions with glass tops and under-mounted washbasin please add always the price for gluing, cod. ZNBD07. The price includes the units, the end panels and the top with cut-out for washbasin.

*= The aluminium covering plate is supplied ONLY when compositions have a cut-out for BUILT-IN washbasin.

Compositions with MOULDED FLUSH-MOUNTED WASHBASIN: PLEASE ADD HOLES FOR TAP+ SYPHON.

The price includes the units, the end panels and the glass top with moulded flush-mounted washbasin and waste-drain.

COMPOSITION 13B



- L 1510 mm
- 1 base unit for washbasin with 600 mm drawer.
- 1 base unit with drawer + 300 mm internal drawer.
- 1 base unit for washbasin with 600 mm drawer.

L P H

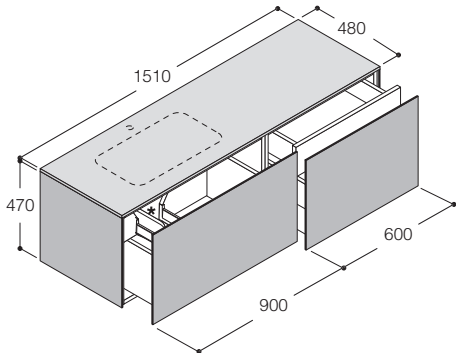
WITH CUT-OUT FOR TOP-MOUNTED BASIN / CUT-OUT FOR BUILT-IN BASIN

Top in frosted painted Extralight glass - Thickness: 12 mm.....	1510	480	482	SHB013V
Top in Cristalplant® - Thickness: 15 mm.....	1510	480	485	SHB013C
Top in Stone C - Thickness: 20 mm.....	1510	480	490	SHB013P

WITH CUT-OUT FOR UNDER-MOUNTED BASIN.

Top in frosted painted Extralight glass - Thickness: 12 mm.....	1510	480	482	SHB513V
Top in Cristalplant® - Thickness: 15 mm.....	1510	480	485	SHB513C
Top in Stone C - Thickness: 20 mm.....	1510	480	490	SHB513P

COMPOSITION 14B



- L 1510 mm
- 1 base unit for washbasin with 900 mm drawer.
- 1 base unit with drawer + 600 mm internal drawer.
- Drawn=left (S), mirrored=right (D).

L P H

WITH CUT-OUT FOR TOP-MOUNTED BASIN / CUT-OUT FOR BUILT-IN BASIN

Top in frosted painted Extralight glass - Thickness: 12 mm.....	1510	480	482	SHB014V	S-D
Top in Cristalplant® - Thickness: 15 mm.....	1510	480	485	SHB014C	S-D
Top in Stone C - Thickness: 20 mm.....	1510	480	490	SHB014P	S-D

WITH CUT-OUT FOR UNDER-MOUNTED BASIN.

Top in frosted painted Extralight glass - Thickness: 12 mm.....	1510	480	482	SHB514V	S-D
Top in Cristalplant® - Thickness: 15 mm.....	1510	480	485	SHB514C	S-D
Top in Stone C - Thickness: 20 mm.....	1510	480	490	SHB514P	S-D

WITH MOULDED FLUSH-MOUNTED WASHBASIN

Top and washbasin in sanded painted Extralight glass - Thickness: 12 mm.....	1510	480	482	SHB914V	S-D
--	------	-----	-----	----------------	------------

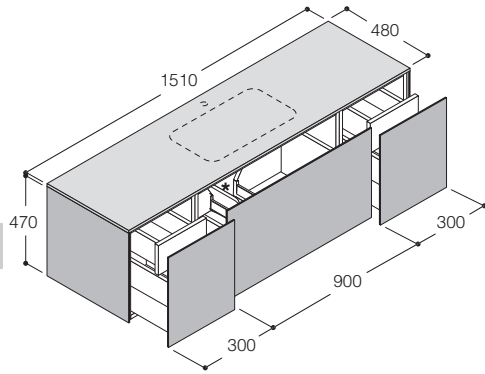
Compositions with CUT-OUT for TOP-MOUNTED/BUILT-IN/UNDER-MOUNTED BASINS: PLEASE ADD WASHBASIN + HOLES FOR TAP+ DRAINAGE KIT. ONLY in case of compositions with glass tops and under-mounted washbasin please add always the price for gluing, cod. ZNBD07. The price includes the units, the end panels and the top with cut-out for washbasin.

*= The aluminium covering plate is supplied ONLY when compositions have a cut-out for BUILT-IN washbasin.

Compositions with MOULDED FLUSH-MOUNTED WASHBASIN: PLEASE ADD HOLES FOR TAP+ SYPHON.

The price includes the units, the end panels and the glass top with moulded flush-mounted washbasin and waste-drain.

COMPOSITION 15B



- L 1510 mm
- 1 base unit with drawer + 300 mm internal drawer.
- 1 base unit for washbasin with 900 mm drawer.
- 1 base unit with drawer + 300 mm internal drawer.

WITH CUT-OUT FOR TOP-MOUNTED BASIN / CUT-OUT FOR BUILT-IN BASIN

Top in frosted painted Extralight glass - Thickness: 12 mm.	1510	480	482	SHB015V
Top in Cristalplant® - Thickness: 15 mm.	1510	480	485	SHB015C
Top in Stone C - Thickness: 20 mm.	1510	480	490	SHB015P

WITH CUT-OUT FOR UNDER-MOUNTED BASIN.

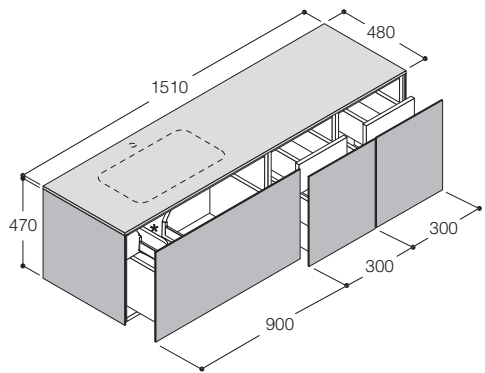
Top in frosted painted Extralight glass - Thickness: 12 mm.	1510	480	482	SHB515V
Top in Cristalplant® - Thickness: 15 mm.	1510	480	485	SHB515C
Top in Stone C - Thickness: 20 mm.	1510	480	490	SHB515P

WITH MOULDED FLUSH-MOUNTED WASHBASIN

Top and washbasin in sanded painted Extralight glass - Thickness: 12 mm.	1510	480	482	SHB915V
---	------	-----	-----	----------------

L P H

COMPOSITION 16B



- L 1510 mm
- 1 base unit for washbasin with 900 mm drawer.
- 1 base unit with drawer + 300 mm internal drawer.
- 1 base unit with drawer + 300 mm internal drawer.
- Drawn=left (S), mirrored=right (D).

WITH CUT-OUT FOR TOP-MOUNTED BASIN / CUT-OUT FOR BUILT-IN BASIN

Top in frosted painted Extralight glass - Thickness: 12 mm.	1510	480	482	SHB016V	S-D
Top in Cristalplant® - Thickness: 15 mm.	1510	480	485	SHB016C	S-D
Top in Stone C - Thickness: 20 mm.	1510	480	490	SHB016P	S-D

WITH CUT-OUT FOR UNDER-MOUNTED BASIN.

Top in frosted painted Extralight glass - Thickness: 12 mm.	1510	480	482	SHB516V	S-D
Top in Cristalplant® - Thickness: 15 mm.	1510	480	485	SHB516C	S-D
Top in Stone C - Thickness: 20 mm.	1510	480	490	SHB516P	S-D

WITH MOULDED FLUSH-MOUNTED WASHBASIN

Top and washbasin in sanded painted Extralight glass - Thickness: 12 mm.	1510	480	482	SHB916V	S-D
---	------	-----	-----	----------------	------------

L P H

Compositions with CUT-OUT for TOP-MOUNTED/BUILT-IN/UNDER-MOUNTED BASINS: PLEASE ADD WASHBASIN + HOLES FOR TAP+ DRAINAGE KIT. ONLY in case of compositions with glass tops and under-mounted washbasin please add always the price for gluing, cod. ZNBD07.

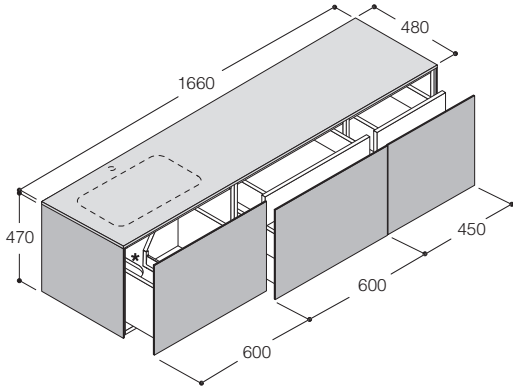
The price includes the units, the end panels and the top with cut-out for washbasin.

*= The aluminium covering plate is supplied ONLY when compositions have a cut-out for BUILT-IN washbasin.

Compositions with MOULDED FLUSH-MOUNTED WASHBASIN: PLEASE ADD HOLES FOR TAP+ SYPHON.

The price includes the units, the end panels and the glass top with moulded flush-mounted washbasin and waste-drain.

COMPOSITION 17B



- L 1660 mm
- 1 base unit for washbasin with 600 mm drawer.
- 1 base unit with drawer + 600 mm internal drawer.
- 1 base unit with drawer + 450 mm internal drawer.
- Drawn=left (S), mirrored=right (D).

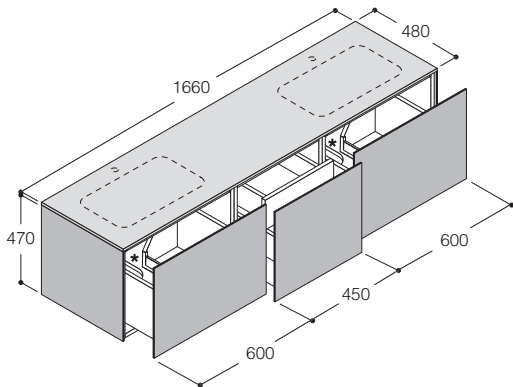
WITH CUT-OUT FOR TOP-MOUNTED BASIN / CUT-OUT FOR BUILT-IN BASIN

	L	P	H		
Top in frosted painted Extralight glass - Thickness: 12 mm.....	1660	480	482	SHB017V	S-D
Top in Cristalplant® - Thickness: 15 mm.....	1660	480	485	SHB017C	S-D
Top in Stone C - Thickness: 20 mm.....	1660	480	490	SHB017P	S-D

WITH CUT-OUT FOR UNDER-MOUNTED BASIN.

Top in frosted painted Extralight glass - Thickness: 12 mm.....	1660	480	482	SHB517V	S-D
Top in Cristalplant® - Thickness: 15 mm.....	1660	480	485	SHB517C	S-D
Top in Stone C - Thickness: 20 mm.....	1660	480	490	SHB517P	S-D

COMPOSITION 18B



- L 1660 mm
- 1 base unit for washbasin with 600 mm drawer.
- 1 base unit with drawer + 450 mm internal drawer.
- 1 base unit for washbasin with 600 mm drawer.

WITH CUT-OUT FOR TOP-MOUNTED BASIN / CUT-OUT FOR BUILT-IN BASIN

	L	P	H		
Top in frosted painted Extralight glass - Thickness: 12 mm.....	1660	480	482	SHB018V	
Top in Cristalplant® - Thickness: 15 mm.....	1660	480	485	SHB018C	
Top in Stone C - Thickness: 20 mm.....	1660	480	490	SHB018P	

WITH CUT-OUT FOR UNDER-MOUNTED BASIN.

Top in frosted painted Extralight glass - Thickness: 12 mm.....	1660	480	482	SHB518V	
Top in Cristalplant® - Thickness: 15 mm.....	1660	480	485	SHB518C	
Top in Stone C - Thickness: 20 mm.....	1660	480	490	SHB518P	

S O H O

COMPOSITIONS - Cabinet H 470 mm

Compositions with CUT-OUT for TOP-MOUNTED/BUILT-IN/UNDER-MOUNTED BASINS: PLEASE ADD WASHBASIN + HOLES FOR TAP+ DRAINAGE KIT. ONLY in case of compositions with glass tops and under-mounted washbasin please add always the price for gluing, cod. ZNBD07. The price includes the units, the end panels and the top with cut-out for washbasin.

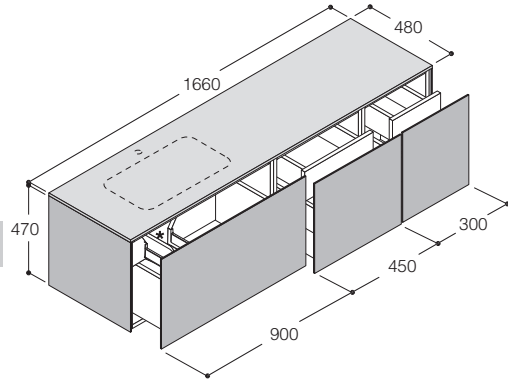
*= The aluminium covering plate is supplied ONLY when compositions have a cut-out for BUILT-IN washbasin.

Compositions with MOULDED FLUSH-MOUNTED WASHBASIN: PLEASE ADD HOLES FOR TAP+ SYPHON.

The price includes the units, the end panels and the glass top with moulded flush-mounted washbasin and waste-drain.

Frosted-painted
Extralight-glass

COMPOSITION 19B



- L 1660 mm
- 1 base unit for washbasin with 900 mm drawer.
- 1 base unit with drawer + 450 mm internal drawer.
- 1 base unit with drawer + 300 mm internal drawer.
- Drawn=left (S), mirrored=right (D).

WITH CUT-OUT FOR TOP-MOUNTED BASIN / CUT-OUT FOR BUILT-IN BASIN

	L	P	H		
Top in frosted painted Extralight glass - Thickness: 12 mm.	1660	480	482	SHB019V	S-D
Top in Cristalplant® - Thickness: 15 mm.	1660	480	485	SHB019C	S-D
Top in Stone C - Thickness: 20 mm.	1660	480	490	SHB019P	S-D

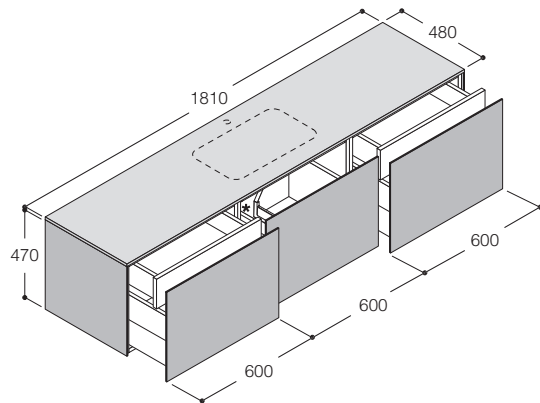
WITH CUT-OUT FOR UNDER-MOUNTED BASIN.

Top in frosted painted Extralight glass - Thickness: 12 mm.	1660	480	482	SHB519V	S-D
Top in Cristalplant® - Thickness: 15 mm.	1660	480	485	SHB519C	S-D
Top in Stone C - Thickness: 20 mm.	1660	480	490	SHB519P	S-D

WITH MOULDED FLUSH-MOUNTED WASHBASIN

Top and washbasin in sanded painted Extralight glass - Thickness: 12 mm.	1660	480	482	SHB919V	S-D
---	------	-----	-----	----------------	------------

COMPOSITION 20B



- L 1810 mm
- 1 base unit with drawer + 600 mm internal drawer.
- 1 base unit for washbasin with 600 mm drawer.
- 1 base unit with drawer + 600 mm internal drawer.

WITH CUT-OUT FOR TOP-MOUNTED BASIN / CUT-OUT FOR BUILT-IN BASIN

	L	P	H		
Top in frosted painted Extralight glass - Thickness: 12 mm.	1810	480	482	SHB020V	
Top in Cristalplant® - Thickness: 15 mm.	1810	480	485	SHB020C	
Top in Stone C - Thickness: 20 mm.	1810	480	490	SHB020P	

WITH CUT-OUT FOR UNDER-MOUNTED BASIN.

Top in frosted painted Extralight glass - Thickness: 12 mm.	1810	480	482	SHB520V	
Top in Cristalplant® - Thickness: 15 mm.	1810	480	485	SHB520C	
Top in Stone C - Thickness: 20 mm.	1810	480	490	SHB520P	

L = Width
P = Depth
H = Height
Pr = Price code

Compositions with CUT-OUT for TOP-MOUNTED/BUILT-IN/UNDER-MOUNTED BASINS: PLEASE ADD WASHBASIN + HOLES FOR TAP+ DRAINAGE KIT. ONLY in case of compositions with glass tops and under-mounted washbasin please add always the price for gluing, cod. ZNBD07.

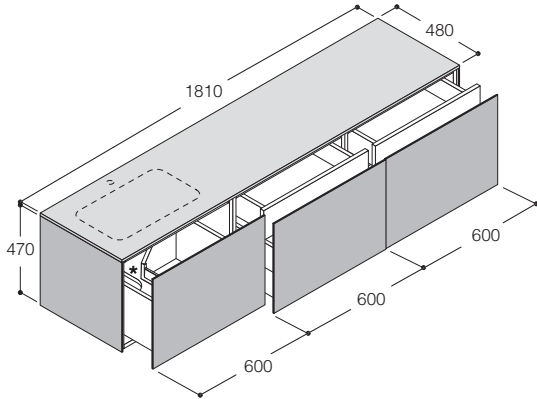
The price includes the units, the end panels and the top with cut-out for washbasin.

*= The aluminium covering plate is supplied ONLY when compositions have a cut-out for BUILT-IN washbasin.

Compositions with MOULDED FLUSH-MOUNTED WASHBASIN: PLEASE ADD HOLES FOR TAP+ SYPHON.

The price includes the units, the end panels and the glass top with moulded flush-mounted washbasin and waste-drain.

COMPOSITION 21B



- L 1810 mm
- 1 base unit for washbasin with 600 mm drawer.
- 1 base unit with drawer + 600 mm internal drawer.
- 1 base unit with drawer + 600 mm internal drawer.
- Drawn=left (S), mirrored=right (D).

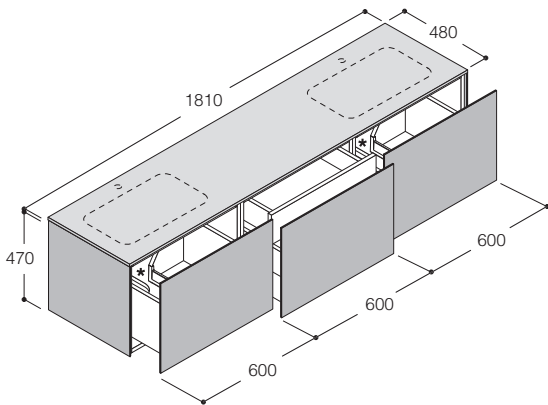
WITH CUT-OUT FOR TOP-MOUNTED BASIN / CUT-OUT FOR BUILT-IN BASIN

	L	P	H		
Top in frosted painted Extralight glass - Thickness: 12 mm.	1810	480	482	SHB021V	S-D
Top in Cristalplant® - Thickness: 15 mm.	1810	480	485	SHB021C	S-D
Top in Stone C - Thickness: 20 mm.	1810	480	490	SHB021P	S-D

WITH CUT-OUT FOR UNDER-MOUNTED BASIN.

Top in frosted painted Extralight glass - Thickness: 12 mm.	1810	480	482	SHB521V	S-D
Top in Cristalplant® - Thickness: 15 mm.	1810	480	485	SHB521C	S-D
Top in Stone C - Thickness: 20 mm.	1810	480	490	SHB521P	S-D

COMPOSITION 22B



- L 1810 mm
- 1 base unit for washbasin with 600 mm drawer.
- 1 base unit with drawer + 600 mm internal drawer.
- 1 base unit for washbasin with 600 mm drawer.

WITH CUT-OUT FOR TOP-MOUNTED BASIN / CUT-OUT FOR BUILT-IN BASIN

	L	P	H		
Top in frosted painted Extralight glass - Thickness: 12 mm.	1810	480	482	SHB022V	
Top in Cristalplant® - Thickness: 15 mm.	1810	480	485	SHB022C	
Top in Stone C - Thickness: 20 mm.	1810	480	490	SHB022P	

WITH CUT-OUT FOR UNDER-MOUNTED BASIN.

Top in frosted painted Extralight glass - Thickness: 12 mm.	1810	480	482	SHB522V	
Top in Cristalplant® - Thickness: 15 mm.	1810	480	485	SHB522C	
Top in Stone C - Thickness: 20 mm.	1810	480	490	SHB522P	

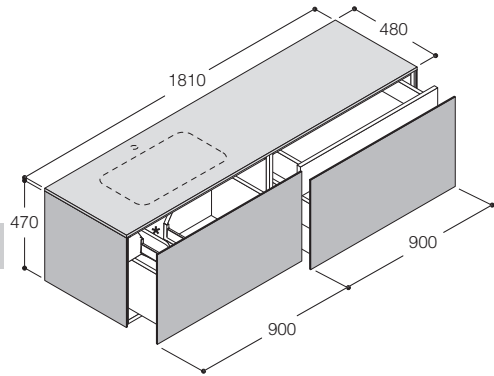
Compositions with CUT-OUT for TOP-MOUNTED/BUILT-IN/UNDER-MOUNTED BASINS: PLEASE ADD WASHBASIN + HOLES FOR TAP+ DRAINAGE KIT. ONLY in case of compositions with glass tops and under-mounted washbasin please add always the price for gluing, cod. ZNBD07. The price includes the units, the end panels and the top with cut-out for washbasin.

*= The aluminium covering plate is supplied ONLY when compositions have a cut-out for BUILT-IN washbasin.

Compositions with MOULDED FLUSH-MOUNTED WASHBASIN: PLEASE ADD HOLES FOR TAP+ SYPHON.

The price includes the units, the end panels and the glass top with moulded flush-mounted washbasin and waste-drain.

COMPOSITION 23B



- L 1810 mm
- 1 base unit for washbasin with 900 mm drawer.
- 1 base unit with drawer + 900 mm internal drawer.
- Drawn=left (S), mirrored=right (D).

WITH CUT-OUT FOR TOP-MOUNTED BASIN / CUT-OUT FOR BUILT-IN BASIN

	L	P	H	Code	Side
Top in frosted painted Extralight glass - Thickness: 12 mm.	1810	480	482	SHB023V	S-D
Top in Cristalplant® - Thickness: 15 mm.	1810	480	485	SHB023C	S-D
Top in Stone C - Thickness: 20 mm.	1810	480	490	SHB023P	S-D

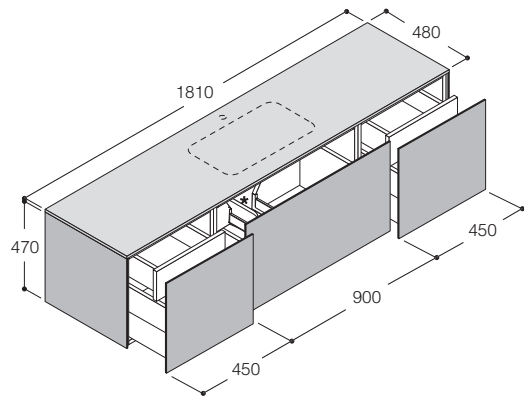
WITH CUT-OUT FOR UNDER-MOUNTED BASIN.

Top in frosted painted Extralight glass - Thickness: 12 mm.	1810	480	482	SHB523V	S-D
Top in Cristalplant® - Thickness: 15 mm.	1810	480	485	SHB523C	S-D
Top in Stone C - Thickness: 20 mm.	1810	480	490	SHB523P	S-D

WITH MOULDED FLUSH-MOUNTED WASHBASIN

Top and washbasin in sanded painted Extralight glass - Thickness: 12 mm.	1810	480	482	SHB923V	S-D
---	------	-----	-----	----------------	------------

COMPOSITION 24B



- L 1810 mm
- 1 base unit with drawer + 450 mm internal drawer.
- 1 base unit for washbasin with 900 mm drawer.
- 1 base unit with drawer + 450 mm internal drawer.

WITH CUT-OUT FOR TOP-MOUNTED BASIN / CUT-OUT FOR BUILT-IN BASIN

	L	P	H	Code
Top in frosted painted Extralight glass - Thickness: 12 mm.	1810	480	482	SHB024V
Top in Cristalplant® - Thickness: 15 mm.	1810	480	485	SHB024C
Top in Stone C - Thickness: 20 mm.	1810	480	490	SHB024P

WITH CUT-OUT FOR UNDER-MOUNTED BASIN.

Top in frosted painted Extralight glass - Thickness: 12 mm.	1810	480	482	SHB524V
Top in Cristalplant® - Thickness: 15 mm.	1810	480	485	SHB524C
Top in Stone C - Thickness: 20 mm.	1810	480	490	SHB524P

WITH MOULDED FLUSH-MOUNTED WASHBASIN

Top and washbasin in sanded painted Extralight glass - Thickness: 12 mm.	1810	480	482	SHB924V
---	------	-----	-----	----------------

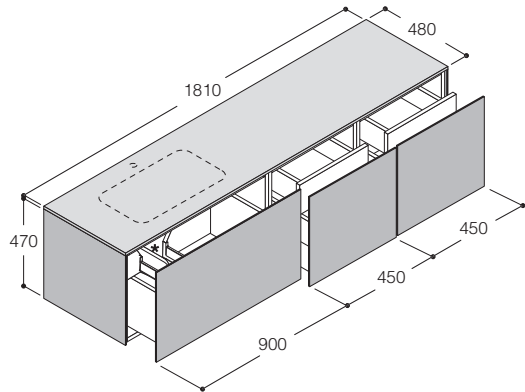
Compositions with CUT-OUT for TOP-MOUNTED/BUILT-IN/UNDER-MOUNTED BASINS: PLEASE ADD WASHBASIN + HOLES FOR TAP+ DRAINAGE KIT. ONLY in case of compositions with glass tops and under-mounted washbasin please add always the price for gluing, cod. ZNBD07. The price includes the units, the end panels and the top with cut-out for washbasin.

*= The aluminium covering plate is supplied ONLY when compositions have a cut-out for BUILT-IN washbasin.

Compositions with MOULDED FLUSH-MOUNTED WASHBASIN: PLEASE ADD HOLES FOR TAP+ SYPHON.

The price includes the units, the end panels and the glass top with moulded flush-mounted washbasin and waste-drain.

COMPOSITION 25B



- L 1810 mm
- 1 base unit for washbasin with 900 mm drawer.
- 1 base unit with drawer + 450 mm internal drawer.
- 1 base unit with drawer + 450 mm internal drawer.
- Drawn=left (S), mirrored=right (D).

WITH CUT-OUT FOR TOP-MOUNTED BASIN / CUT-OUT FOR BUILT-IN BASIN

	L	P	H		
Top in frosted painted Extralight glass - Thickness: 12 mm.....	1810	480	482	SHB025V	S-D
Top in Cristalplant® - Thickness: 15 mm.....	1810	480	485	SHB025C	S-D
Top in Stone C - Thickness: 20 mm.....	1810	480	490	SHB025P	S-D

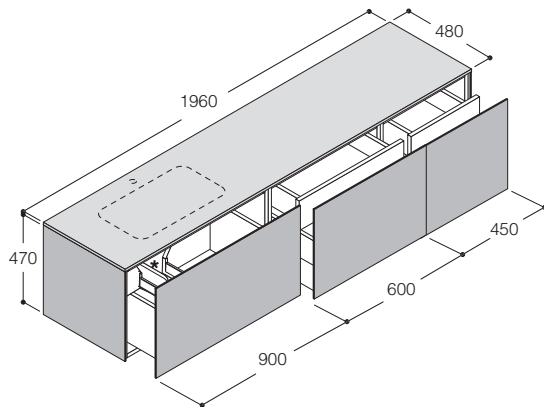
WITH CUT-OUT FOR UNDER-MOUNTED BASIN.

Top in frosted painted Extralight glass - Thickness: 12 mm.....	1810	480	482	SHB525V	S-D
Top in Cristalplant® - Thickness: 15 mm.....	1810	480	485	SHB525C	S-D
Top in Stone C - Thickness: 20 mm.....	1810	480	490	SHB525P	S-D

WITH MOULDED FLUSH-MOUNTED WASHBASIN

Top and washbasin in sanded painted Extralight glass - Thickness: 12 mm.....	1810	480	482	SHB925V	S-D
--	------	-----	-----	----------------	------------

COMPOSITION 26B



- L 1960 mm
- 1 base unit for washbasin with 900 mm drawer.
- 1 base unit with drawer + 600 mm internal drawer.
- 1 base unit with drawer + 450 mm internal drawer.
- Drawn=left (S), mirrored=right (D).

WITH CUT-OUT FOR TOP-MOUNTED BASIN / CUT-OUT FOR BUILT-IN BASIN

	L	P	H		
Top in frosted painted Extralight glass - Thickness: 12 mm.....	1960	480	482	SHB026V	S-D
Top in Cristalplant® - Thickness: 15 mm.....	1960	480	485	SHB026C	S-D
Top in Stone C - Thickness: 20 mm.....	1960	480	490	SHB026P	S-D

WITH CUT-OUT FOR UNDER-MOUNTED BASIN.

Top in frosted painted Extralight glass - Thickness: 12 mm.....	1960	480	482	SHB526V	S-D
Top in Cristalplant® - Thickness: 15 mm.....	1960	480	485	SHB526C	S-D
Top in Stone C - Thickness: 20 mm.....	1960	480	490	SHB526P	S-D

WITH MOULDED FLUSH-MOUNTED WASHBASIN

Top and washbasin in sanded painted Extralight glass - Thickness: 12 mm.....	1960	480	482	SHB926V	S-D
--	------	-----	-----	----------------	------------

Compositions with CUT-OUT for TOP-MOUNTED/BUILT-IN/UNDER-MOUNTED BASINS: PLEASE ADD WASHBASIN + HOLES FOR TAP+ DRAINAGE KIT. ONLY in case of compositions with glass tops and under-mounted washbasin please add always the price for gluing, cod. ZNBD07.

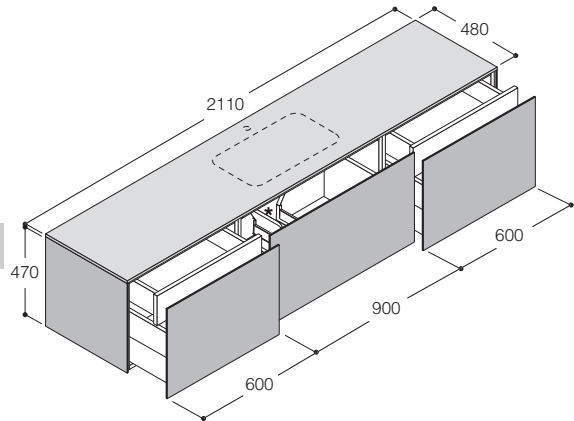
The price includes the units, the end panels and the top with cut-out for washbasin.

*= The aluminium covering plate is supplied ONLY when compositions have a cut-out for BUILT-IN washbasin.

Compositions with MOULDED FLUSH-MOUNTED WASHBASIN: PLEASE ADD HOLES FOR TAP+ SYPHON.

The price includes the units, the end panels and the glass top with moulded flush-mounted washbasin and waste-drain.

COMPOSITION 27B



- L 2110 mm
- 1 base unit with drawer + 600 mm internal drawer.
- 1 base unit for washbasin with 900 mm drawer.
- 1 base unit with drawer + 600 mm internal drawer.

WITH CUT-OUT FOR TOP-MOUNTED BASIN / CUT-OUT FOR BUILT-IN BASIN

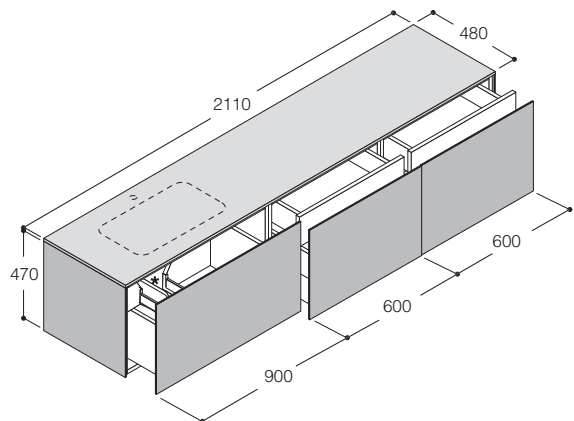
Top in frosted painted Extralight glass - Thickness: 12 mm.	2110	480	482	SHB027V
Top in Cristalplant® - Thickness: 15 mm.	2110	480	485	SHB027C
Top in Stone C - Thickness: 20 mm.	2110	480	490	SHB027P

WITH CUT-OUT FOR UNDER-MOUNTED BASIN.

Top in frosted painted Extralight glass - Thickness: 12 mm.	2110	480	482	SHB527V
Top in Cristalplant® - Thickness: 15 mm.	2110	480	485	SHB527C
Top in Stone C - Thickness: 20 mm.	2110	480	490	SHB527P

L P H

COMPOSITION 28B



- L 2110 mm
- 1 base unit for washbasin with 900 mm drawer.
- 1 base unit with drawer + 600 mm internal drawer.
- 1 base unit with drawer + 600 mm internal drawer.
- Drawn=left (S), mirrored=right (D).

WITH CUT-OUT FOR TOP-MOUNTED BASIN / CUT-OUT FOR BUILT-IN BASIN

Top in frosted painted Extralight glass - Thickness: 12 mm.	2110	480	482	SHB028V	S-D
Top in Cristalplant® - Thickness: 15 mm.	2110	480	485	SHB028C	S-D
Top in Stone C - Thickness: 20 mm.	2110	480	490	SHB028P	S-D

WITH CUT-OUT FOR UNDER-MOUNTED BASIN.

Top in frosted painted Extralight glass - Thickness: 12 mm.	2110	480	482	SHB528V	S-D
Top in Cristalplant® - Thickness: 15 mm.	2110	480	485	SHB528C	S-D
Top in Stone C - Thickness: 20 mm.	2110	480	490	SHB528P	S-D

WITH MOULDED FLUSH-MOUNTED WASHBASIN

Top and washbasin in sanded painted Extralight glass - Thickness: 12 mm.	2110	480	482	SHB928V	S-D
---	------	-----	-----	----------------	------------

L P H

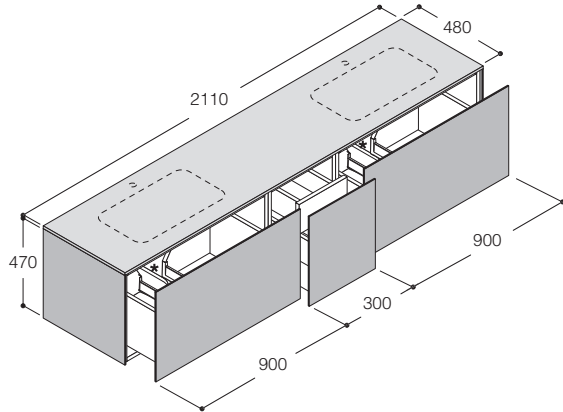
Compositions with CUT-OUT for TOP-MOUNTED/BUILT-IN/UNDER-MOUNTED BASINS: PLEASE ADD WASHBASIN + HOLES FOR TAP+ DRAINAGE KIT. ONLY in case of compositions with glass tops and under-mounted washbasin please add always the price for gluing, cod. ZNBD07. The price includes the units, the end panels and the top with cut-out for washbasin.

*= The aluminium covering plate is supplied ONLY when compositions have a cut-out for BUILT-IN washbasin.

Compositions with MOULDED FLUSH-MOUNTED WASHBASIN: PLEASE ADD HOLES FOR TAP+ SYPHON.

The price includes the units, the end panels and the glass top with moulded flush-mounted washbasin and waste-drain.

COMPOSITION 29B



- L 2110 mm
- 1 base unit for washbasin with 900 mm drawer.
- 1 base unit with drawer + 300 mm internal drawer.
- 1 base unit for washbasin with 900 mm drawer.

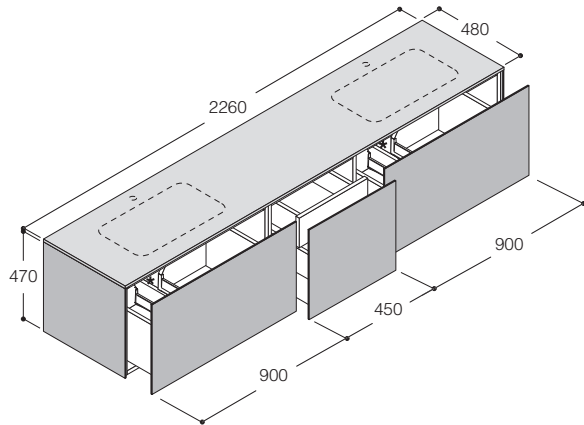
WITH CUT-OUT FOR TOP-MOUNTED BASIN / CUT-OUT FOR BUILT-IN BASIN

	L	P	H	
Top in frosted painted Extralight glass - Thickness: 12 mm.....	2110	480	482	SHB029V
Top in Cristalplant® - Thickness: 15 mm.....	2110	480	485	SHB029C
Top in Stone C - Thickness: 20 mm.....	2110	480	490	SHB029P

WITH CUT-OUT FOR UNDER-MOUNTED BASIN.

Top in frosted painted Extralight glass - Thickness: 12 mm.....	2110	480	482	SHB529V
Top in Cristalplant® - Thickness: 15 mm.....	2110	480	485	SHB529C
Top in Stone C - Thickness: 20 mm.....	2110	480	490	SHB529P

COMPOSITION 30B



- L 2260 mm
- 1 base unit for washbasin with 900 mm drawer.
- 1 base unit with drawer + 450 mm internal drawer.
- 1 base unit for washbasin with 900 mm drawer.

WITH CUT-OUT FOR TOP-MOUNTED BASIN / CUT-OUT FOR BUILT-IN BASIN

	L	P	H	
Top in frosted painted Extralight glass - Thickness: 12 mm.....	2260	480	482	SHB030V
Top in Cristalplant® - Thickness: 15 mm.....	2260	480	485	SHB030C
Top in Stone C - Thickness: 20 mm.....	2260	480	490	SHB030P

WITH CUT-OUT FOR UNDER-MOUNTED BASIN.

Top in frosted painted Extralight glass - Thickness: 12 mm.....	2260	480	482	SHB530V
Top in Cristalplant® - Thickness: 15 mm.....	2260	480	485	SHB530C
Top in Stone C - Thickness: 20 mm.....	2260	480	490	SHB530P

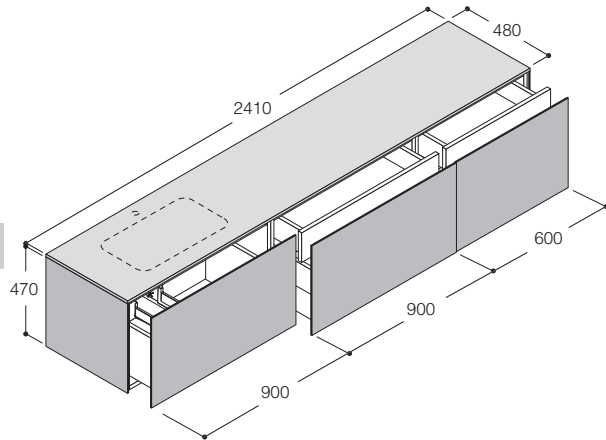
Compositions with CUT-OUT for TOP-MOUNTED/BUILT-IN/UNDER-MOUNTED BASINS: PLEASE ADD WASHBASIN + HOLES FOR TAP+ DRAINAGE KIT. ONLY in case of compositions with glass tops and under-mounted washbasin please add always the price for gluing, cod. ZNBD07. The price includes the units, the end panels and the top with cut-out for washbasin.

*= The aluminium covering plate is supplied ONLY when compositions have a cut-out for BUILT-IN washbasin.

Compositions with MOULDED FLUSH-MOUNTED WASHBASIN: PLEASE ADD HOLES FOR TAP+ SYPHON.

The price includes the units, the end panels and the glass top with moulded flush-mounted washbasin and waste-drain.

COMPOSITION 31B



- L 2410 mm
- 1 base unit for washbasin with 900 mm drawer.
- 1 base unit with drawer + 900 mm internal drawer.
- 1 base unit with drawer + 600 mm internal drawer.
- Drawn=left (S), mirrored=right (D).

WITH CUT-OUT FOR TOP-MOUNTED BASIN / CUT-OUT FOR BUILT-IN BASIN

	L	P	H		
Top in frosted painted Extralight glass - Thickness: 12 mm.	2410	480	482	SHB031V	S-D
Top in Cristalplant® - Thickness: 15 mm.	2410	480	485	SHB031C	S-D
Top in Stone C - Thickness: 20 mm.	2410	480	490	SHB031P	S-D

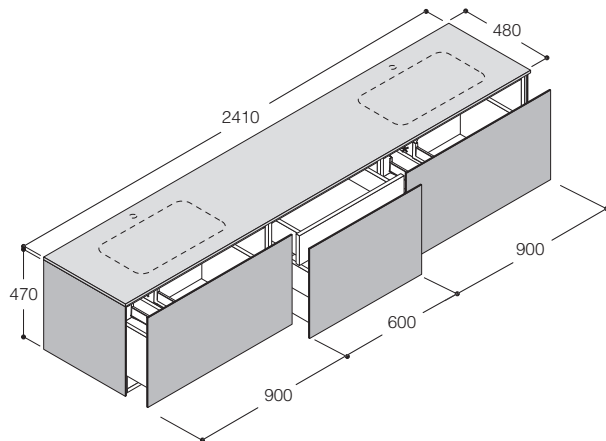
WITH CUT-OUT FOR UNDER-MOUNTED BASIN.

Top in frosted painted Extralight glass - Thickness: 12 mm.	2410	480	482	SHB531V	S-D
Top in Cristalplant® - Thickness: 15 mm.	2410	480	485	SHB531C	S-D
Top in Stone C - Thickness: 20 mm.	2410	480	490	SHB531P	S-D

WITH MOULDED FLUSH-MOUNTED WASHBASIN

Top and washbasin in sanded painted Extralight glass - Thickness: 12 mm.	2410	480	482	SHB931V	S-D
---	------	-----	-----	----------------	------------

COMPOSITION 32B



- L 2410 mm
- 1 base unit for washbasin with 900 mm drawer.
- 1 base unit with drawer + 600 mm internal drawer.
- 1 base unit for washbasin with 900 mm drawer.

WITH CUT-OUT FOR TOP-MOUNTED BASIN / CUT-OUT FOR BUILT-IN BASIN

	L	P	H		
Top in frosted painted Extralight glass - Thickness: 12 mm.	2410	480	482	SHB032V	S-D
Top in Cristalplant® - Thickness: 15 mm.	2410	480	485	SHB032C	S-D
Top in Stone C - Thickness: 20 mm.	2410	480	490	SHB032P	S-D

WITH CUT-OUT FOR UNDER-MOUNTED BASIN.

Top in frosted painted Extralight glass - Thickness: 12 mm.	2410	480	482	SHB532V	S-D
Top in Cristalplant® - Thickness: 15 mm.	2410	480	485	SHB532C	S-D
Top in Stone C - Thickness: 20 mm.	2410	480	490	SHB532P	S-D

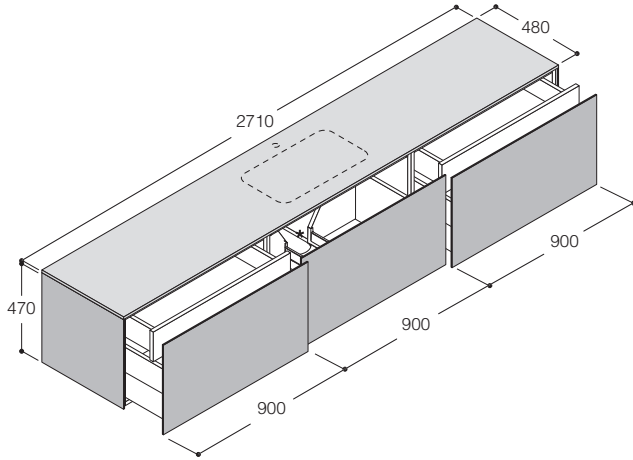
Compositions with CUT-OUT for TOP-MOUNTED/BUILT-IN/UNDER-MOUNTED BASINS: PLEASE ADD WASHBASIN + HOLES FOR TAP+ DRAINAGE KIT. ONLY in case of compositions with glass tops and under-mounted washbasin please add always the price for gluing, cod. ZNBD07. The price includes the units, the end panels and the top with cut-out for washbasin.

*= The aluminium covering plate is supplied ONLY when compositions have a cut-out for BUILT-IN washbasin.

Compositions with MOULDED FLUSH-MOUNTED WASHBASIN: PLEASE ADD HOLES FOR TAP+ SYPHON.

The price includes the units, the end panels and the glass top with moulded flush-mounted washbasin and waste-drain.

COMPOSITION 33B



- L 2710 mm
- 1 base unit with drawer + 900 mm internal drawer.
- 1 base unit for washbasin with 900 mm drawer.
- 1 base unit with drawer + 900 mm internal drawer.

WITH CUT-OUT FOR TOP-MOUNTED BASIN / CUT-OUT FOR BUILT-IN BASIN

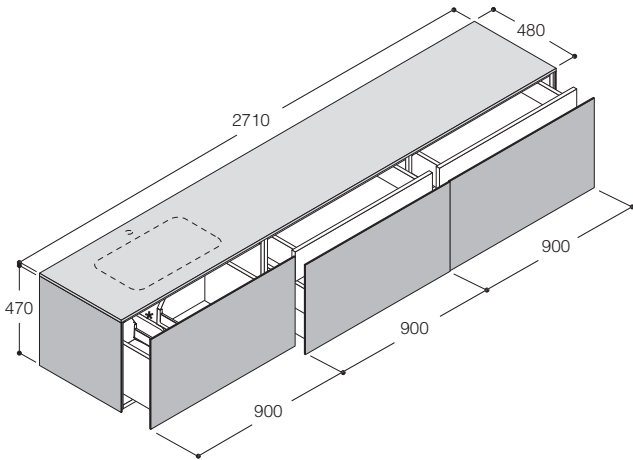
Top in frosted painted Extralight glass - Thickness: 12 mm.....	2710	480	482	SHB033V
Top in Cristalplant® - Thickness: 15 mm.....	2710	480	485	SHB033C
Top in Stone C - Thickness: 20 mm.....	2710	480	490	SHB033P

WITH CUT-OUT FOR UNDER-MOUNTED BASIN.

Top in frosted painted Extralight glass - Thickness: 12 mm.....	2710	480	482	SHB533V
Top in Cristalplant® - Thickness: 15 mm.....	2710	480	485	SHB533C
Top in Stone C - Thickness: 20 mm.....	2710	480	490	SHB533P

L P H

COMPOSITION 34B



- L 2710 mm
- 1 base unit for washbasin with 900 mm drawer.
- 1 base unit with drawer + 900 mm internal drawer.
- 1 base unit with drawer + 900 mm internal drawer.
- Drawn=left (S), mirrored=right (D).

WITH CUT-OUT FOR TOP-MOUNTED BASIN / CUT-OUT FOR BUILT-IN BASIN

Top in frosted painted Extralight glass - Thickness: 12 mm.....	2710	480	482	SHB034V	S-D
Top in Cristalplant® - Thickness: 15 mm.....	2710	480	485	SHB034C	S-D
Top in Stone C - Thickness: 20 mm.....	2710	480	490	SHB034P	S-D

WITH CUT-OUT FOR UNDER-MOUNTED BASIN.

Top in frosted painted Extralight glass - Thickness: 12 mm.....	2710	480	482	SHB534V	S-D
Top in Cristalplant® - Thickness: 15 mm.....	2710	480	485	SHB534C	S-D
Top in Stone C - Thickness: 20 mm.....	2710	480	490	SHB534P	S-D

WITH MOULDED FLUSH-MOUNTED WASHBASIN

Top and washbasin in sanded painted Extralight glass - Thickness: 12 mm.....	2710	480	482	SHB934V	S-D
--	------	-----	-----	----------------	------------

L P H

Compositions with CUT-OUT for TOP-MOUNTED/BUILT-IN/UNDER-MOUNTED BASINS: PLEASE ADD WASHBASIN + HOLES FOR TAP+ DRAINAGE KIT. ONLY in case of compositions with glass tops and under-mounted washbasin please add always the price for gluing, cod. ZNBD07. The price includes the units, the end panels and the top with cut-out for washbasin.

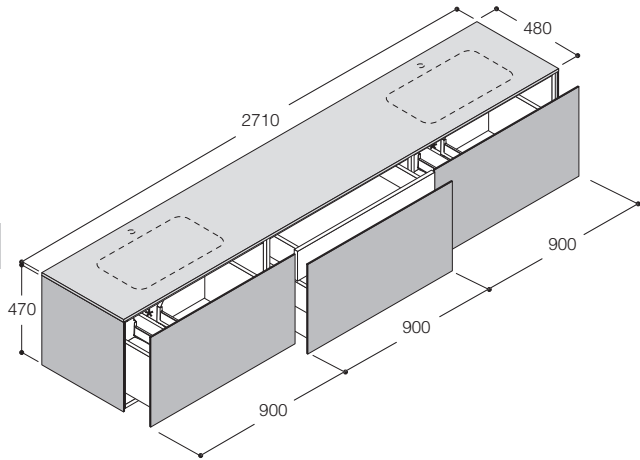
*= The aluminium covering plate is supplied ONLY when compositions have a cut-out for BUILT-IN washbasin.

Compositions with MOULDED FLUSH-MOUNTED WASHBASIN: PLEASE ADD HOLES FOR TAP+ SYPHON.

The price includes the units, the end panels and the glass top with moulded flush-mounted washbasin and waste-drain.

Frosted-painted
Extralight-glass

COMPOSITION 35B



- L 2710 mm
- 1 base unit for washbasin with 900 mm drawer.
- 1 base unit with drawer + 900 mm internal drawer.
- 1 base unit for washbasin with 900 mm drawer.

WITH CUT-OUT FOR TOP-MOUNTED BASIN / CUT-OUT FOR BUILT-IN BASIN

	L	P	H	
Top in frosted painted Extralight glass - Thickness: 12 mm.	2710	480	482	SHB035V
Top in Cristalplant® - Thickness: 15 mm.	2710	480	485	SHB035C
Top in Stone C - Thickness: 20 mm.	2710	480	490	SHB035P

WITH CUT-OUT FOR UNDER-MOUNTED BASIN.

Top in frosted painted Extralight glass - Thickness: 12 mm.	2710	480	482	SHB535V
Top in Cristalplant® - Thickness: 15 mm.	2710	480	485	SHB535C
Top in Stone C - Thickness: 20 mm.	2710	480	490	SHB535P