

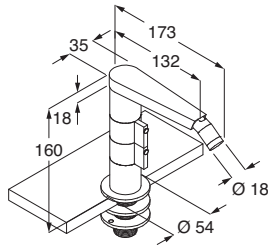


Taps

W1 - Design Norbert Wangen

Taps in AISI 304 stainless steel - Finish: satin.

W1 - Tap set for bidet.

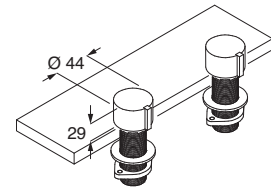


- Flow rate: 8,4 l/min.

AVAILABLE UNTIL STOCK LASTS

Satin stainless steel..... **REFA03**

W1 - Top-mounted two handle tap for washbasin.

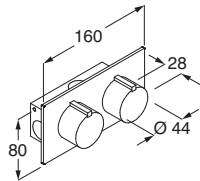
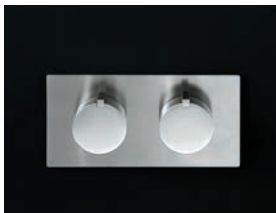


- 1/2" ceramic screw disks, 90° opening.
- Compatible with all top-mounted, wall or floor-mounted spouts.
- Flow rate: 12,0 l/min.

AVAILABLE UNTIL STOCK LASTS

Satin stainless steel..... **RGFA02**

W1 - Wall-mounted, built-in tap set.

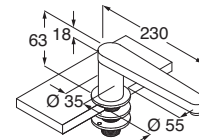


- 3/4" ceramic screw disks, 90° opening.
- Washbasin / bathtub use: compatible with all top-mounted, wall or floor-mounted spouts.
- Shower use: compatible with all wall-mounted shower heads or hand-showers.
- Flow rate: 22,0 l/min.

AVAILABLE UNTIL STOCK LASTS

Recessed part..... **RGFA03**
Satin stainless steel, external part..... **RGFA03E**

W1 - Top-mounted spout.

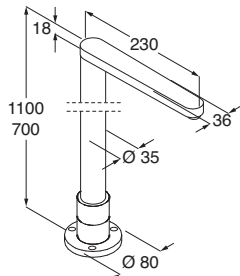


- Adjustable aerator.
- Flow rate: 8,4 l/min.

AVAILABLE UNTIL STOCK LASTS

Satin stainless steel. For bidet..... **RIFA05**

W1 - Freestanding floor-mounted spout.

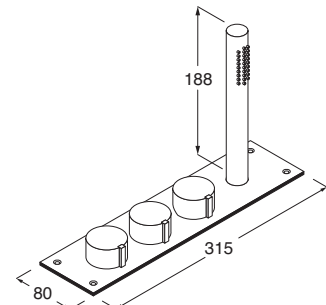


- Flow rate: RIFA03 8,4 l/min - RIFA04 20 l/min.

AVAILABLE UNTIL STOCK LASTS

Satin stainless steel, H 1100. For washbasin..... **RIFA03**
Satin stainless steel, H 700. For bathtub..... **RIFA04**

W1 - Built-in deck-mounted tap set for bathtub. Without spout.



- Cold/warm taps with 3/4" screw disks.
- Hand shower with dedicated mixer.
- Flow rate: 22,0 l/min.

AVAILABLE UNTIL STOCK LASTS

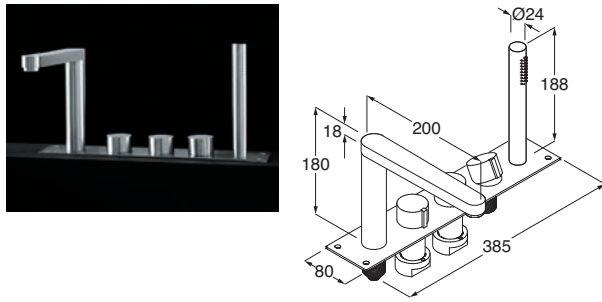
Satin stainless steel..... **RGFA05**

Taps

W1 - Design Norbert Wangen

Taps in AISI 304 stainless steel - Finish: satin.

W1 - Built-in deck-mounted tap set for bathtub.



- Cold/warm taps with 3/4" screw disks.
- Spout.
- Hand shower with dedicated mixer.
- Flow rate: 22,0 l/min.

AVAILABLE UNTIL STOCK LASTS

Satin stainless steel..... **RGFA06**

W1 - Wall-mounted, built-in 5-way diverter.



- 1/2" connections.

AVAILABLE UNTIL STOCK LASTS

Recessed part..... **RVFA01I**
 Satin stainless steel, external part..... **RVFA01E**

L = Width
P = Depth
H = Height
Pr = Price code