



Taps

ECLIPSE - Design Studiocharlie
Premio Compasso d'Oro ADI 2018



Taps in AISI 304 stainless steel - Finish: satin or grey PVD.

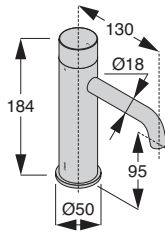
The round upper surface of mixers, taps and diverters is made of polished stainless steel, both for taps in satin stainless steel and grey PVD finish.

PVD finish.

PVD = Physical Vapour Deposition.

Elements in PVD finish may present some tone differences. These issues cannot be considered cause for a complaint.

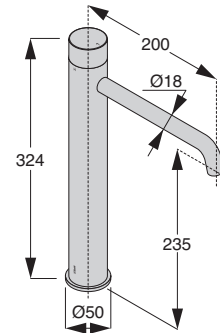
ECLIPSE - Short mixer tap for washbasin.



- Flow rate: 4,5 l/min.
- Cartridge for single lever mixers.

Satin stainless steel..... **RERX01**
Grey PVD..... **RERX11**

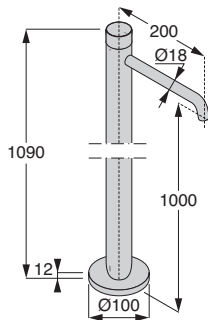
ECLIPSE - Tall mixer tap for washbasin.



- Flow rate: 4,5 l/min.
- Cartridge for single lever mixers.

Satin stainless steel..... **RERX02**
Grey PVD..... **RERX12**

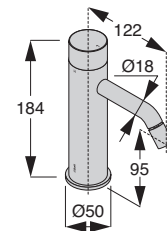
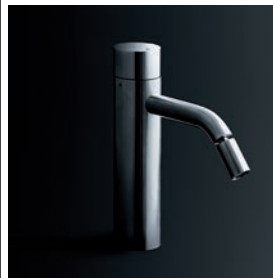
ECLIPSE - Freestanding floor-mounted mixer tap for washbasin.



- Flow rate: 4,5 l/min.
- Cartridge for single lever mixers.

Satin stainless steel, external part..... **RERX03E**
Grey PVD, external part..... **RERX13E**
Recessed part..... **REDM10I**

ECLIPSE - Mixer tap for bidet.



- Flow rate: 4,5 l/min.
- Cartridge for single lever mixers.

Satin stainless steel..... **RERX04**
Grey PVD..... **RERX14**

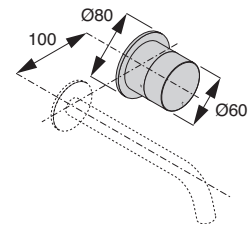
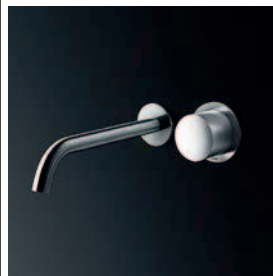
ECLIPSE - Top-mounted mixer tap for washbasin.



- Compatible with all top-mounted, wall or floor-mounted spouts.
- Cartridge for single lever mixers.

Satin stainless steel..... **RERX05**
Grey PVD..... **RERX15**

ECLIPSE - Wall-mounted, built-in washbasin mixer tap.



- Please order the spout (compulsory) separately.
- Compatible with all wall-mounted spouts.
- The spout must be ALWAYS installed on the left side of the mixer, as shown in the drawing.
- The customer can choose to install the mixer with or without the supplied washer Ø 80 mm.
- Cartridge for single lever mixers.

Satin stainless steel, external part..... **RERX06E**
Grey PVD, external part..... **RERX16E**
Recessed part..... **RERX06I**

L = Width
P = Depth
H = Height
Pr = Price code

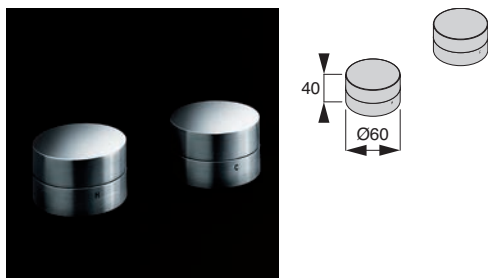
Taps

ECLIPSE - Design Studiocharlie
Premio Compasso d'Oro ADI 2018



Taps in AISI 304 stainless steel - Finish: satin or grey PVD.
The round upper surface of mixers, taps and diverters is made of polished stainless steel, both for taps in satin stainless steel and grey PVD finish.
PVD = Physical Vapour Deposition.
Elements in PVD finish may present some tone differences. These issues cannot be considered cause for a complaint.

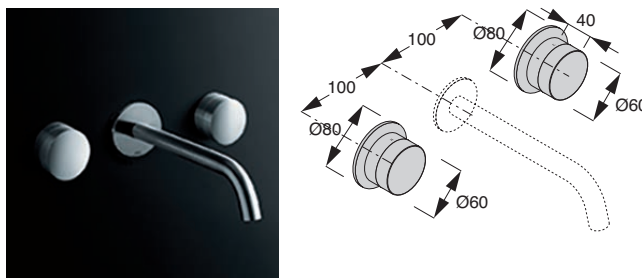
ECLIPSE - Top-mounted two handle tap for washbasin.



- Compatible with all top-mounted, wall or floor-mounted spouts.
- 1/2" ceramic screw disks, 90° opening.

Satin stainless steel..... **RGRX01**
Grey PVD..... **RGRX06**

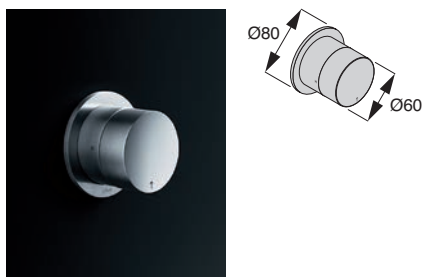
ECLIPSE - Wall-mounted, built-in two handle tap for washbasin.



- Please order the spout (compulsory) separately.
- Compatible with all wall-mounted spouts.
- The spout must be ALWAYS installed as shown in the drawing.
- The customer can choose to install the single elements (spout excluded) with or without the supplied washer Ø 80 mm.
- 1/2" ceramic screw disks, 90° opening.

Satin stainless steel, external part..... **RGRX02E**
Grey PVD, external part..... **RGRX07E**
Recessed part..... **RGRX02I**

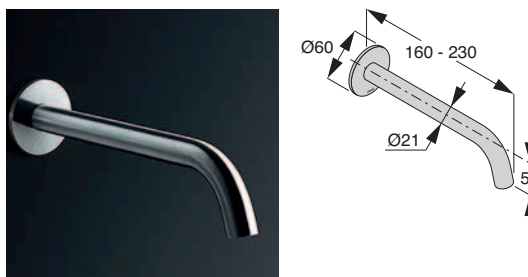
ECLIPSE - Wall-mounted, built-in washbasin/shower mixer tap.



- Compatible with all top-mounted, wall or floor-mounted spouts.
- Compatible with all wall-mounted shower heads or hand-showers.
- The customer can choose to install the mixer with or without the supplied washer Ø 80 mm.
- Cartridge for single lever mixers.

Satin stainless steel, external part..... **RERX10E**
Grey PVD, external part..... **RERX20E**
Recessed part..... **RERX10I**

ECLIPSE - Wall-mounted spout for washbasin.



- 1/2" connection.
- Flow rate: 4,5 l/min.

Satin stainless steel, P 160 mm..... **RIRX01**
Grey PVD, P 160 mm..... **RIRX07**
Satin stainless steel, P 230 mm..... **RIRX02**
Grey PVD, P 230 mm..... **RIRX08**

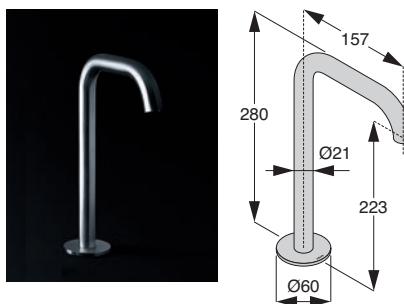
ECLIPSE - Top-mounted spout for washbasin.



- 3/8" connection.
- Flow rate: 4,5 l/min.

Satin stainless steel, H 170 mm..... **RIRX03**
Grey PVD, H 170 mm..... **RIRX09**

ECLIPSE - Top-mounted spout for washbasin.



- 3/8" connection.
- Flow rate: 4,5 l/min.

Satin stainless steel, H 280 mm..... **RIRX04**
Grey PVD, H 280 mm..... **RIRX10**

L = Width
P = Depth
H = Height
Pr = Price code

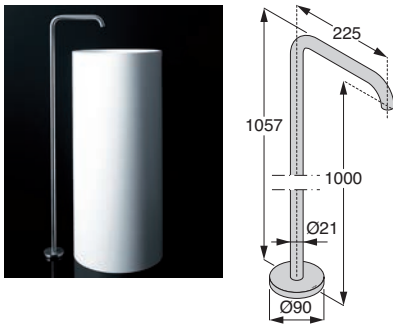
Taps

ECLIPSE - Design Studiocharlie
Premio Compasso d'Oro ADI 2018



Taps in AISI 304 stainless steel - Finish: satin or grey PVD.
The round upper surface of mixers, taps and diverters is made of polished stainless steel, both for taps in satin stainless steel and grey PVD finish.
PVD = Physical Vapour Deposition.
Elements in PVD finish may present some tone differences. These issues cannot be considered cause for a complaint.

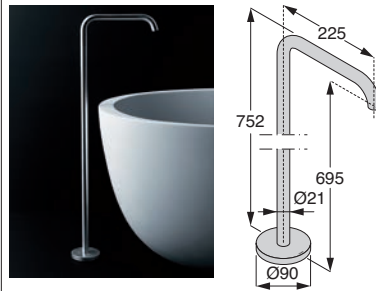
ECLIPSE - Freestanding floor-mounted spout for washbasin.



- Flow rate: 4,5 l/min.
- The grey PVD version is made in 2 pieces.

Satin stainless steel, H 1057 mm. **RIRX05**
Grey PVD, H 1057 mm. **RIRX11**

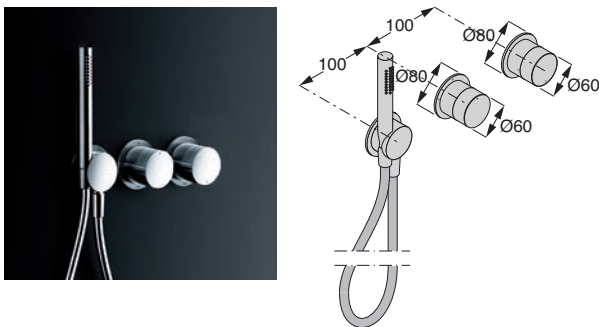
ECLIPSE - Freestanding floor-mounted spout for bathtub.



- Flow rate: 24,0 l/min.

Satin stainless steel, H 752 mm. **RIRX06**
Grey PVD, H 752 mm. **RIRX12**

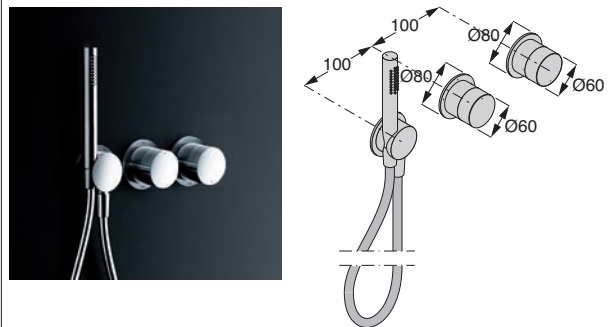
ECLIPSE - Wall-mounted, built-in tap set for shower/bathtub.



- Single lever mixer tap with cartridge, 2-way diverter and hand-shower.
- Bathtub use: water supply to overflow.
- The customer can choose to install the single elements with or without the supplied washer Ø 80 mm.
- Flow rate: 16,0 l/min.

Satin stainless steel, external part. **RERX07E**
Grey PVD, external part. **RERX17E**
Recessed part. **RERX07I**

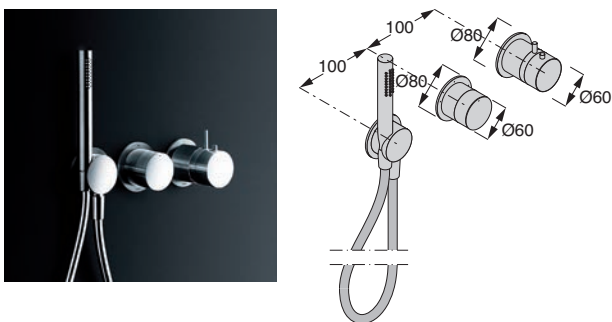
ECLIPSE - Wall-mounted, built-in tap set for shower/bathtub.



- Single lever mixer tap with cartridge, 3-way diverter and hand-shower.
- The customer can choose to install the single elements with or without the supplied washer Ø 80 mm.
- Flow rate: 16,0 l/min.

Satin stainless steel, external part. **RERX08E**
Grey PVD, external part. **RERX18E**
Recessed part. **RERX08I**

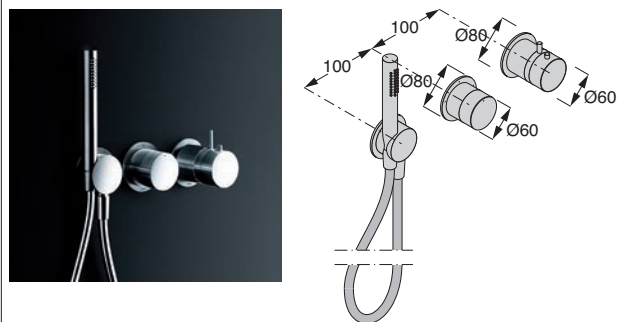
ECLIPSE - Wall-mounted, built-in thermostatic tap set for shower.



- Thermostatic mixer, 2-way diverter, hand-shower.
- The customer can choose to install the single elements with or without the supplied washer Ø 80 mm.
- Flow rate: 16,0 l/min.

Satin stainless steel, external part. **RHRX01E**
Grey PVD, external part. **RHRX05E**
Recessed part. **RHRX01I**

ECLIPSE - Wall-mounted, built-in thermostatic tap set for shower.



- Thermostatic mixer, 3-way diverter, hand-shower.
- The customer can choose to install the single elements with or without the supplied washer Ø 80 mm.
- Flow rate: 16,0 l/min.

Satin stainless steel, external part. **RHRX02E**
Grey PVD, external part. **RHRX06E**
Recessed part. **RHRX02I**

L = Width
P = Depth
H = Height
Pr = Price code

Taps

ECLIPSE - Design Studiocharlie
Premio Compasso d'Oro ADI 2018



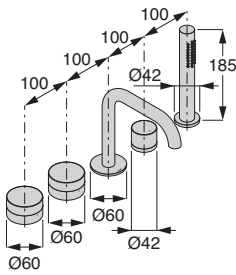
Taps in AISI 304 stainless steel - Finish: satin or grey PVD.

The round upper surface of mixers, taps and diverters is made of polished stainless steel, both for taps in satin stainless steel and grey PVD finish.

PVD = Physical Vapour Deposition.

Elements in PVD finish may present some tone differences. These issues cannot be considered cause for a complaint.

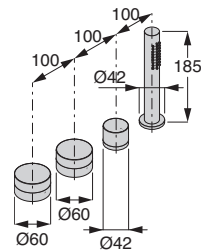
ECLIPSE - Built-in deck-mounted tap set for bathtub.



- Cold/warm taps, spout, hand-shower with its mixer.
- 1/2" ceramic screw disks, 90° opening.
- Flow rate: 20,0 l/min.

Satin stainless steel..... **RGRX03**
Grey PVD..... **RGRX08**

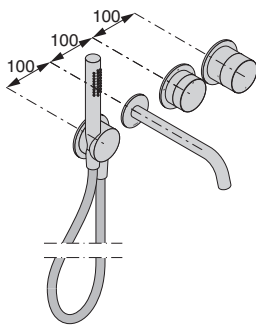
ECLIPSE - Built-in deck-mounted tap set for bathtub. Without spout.



- Cold/warm taps, hand-shower with its mixer.
- 1/2" ceramic screw disks, 90° opening.
- Flow rate: 20,0 l/min.

Satin stainless steel..... **RGRX04**
Grey PVD..... **RGRX09**

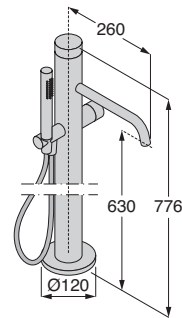
ECLIPSE - Wall-mounted, built-in tap set for bathtub.



- Single lever mixer tap with cartridge, spout, diverter and hand-shower.
- The customer can choose to install the single elements (spout excluded) with or without the supplied washer Ø 80 mm.
- Flow rate: 16,0 l/min.

Satin stainless steel, external part..... **RGRX05E**
Grey PVD, external part..... **RGRX10E**
Recessed part..... **RGRX05I**

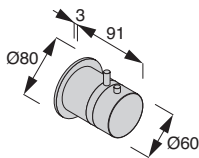
ECLIPSE - Freestanding/floor-mounted bathtub tap set.



- Single lever mixer tap with cartridge, spout, hand-shower with its mixer.
- Flow rate: 15,0 l/min.

Satin stainless steel, external part..... **RERX09E**
Grey PVD, external part..... **RERX19E**
Recessed part..... **REDM10I**

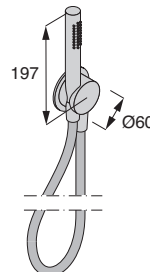
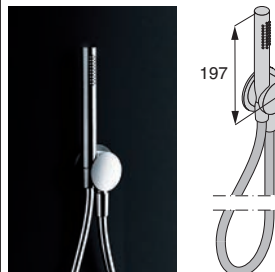
ECLIPSE - Thermostatic mixer.



- Compatible with all wall-mounted shower heads or hand-showers.
- Flow rate: 16,0 l/min.

Satin stainless steel, external part..... **RHRX03E**
Grey PVD, external part..... **RHRX07E**
Recessed part..... **RHRX03I**

ECLIPSE - Wall-mounted hand shower.



- With 1500 mm long hose and water connection.
- Flow rate: 9,0 l/min.

Satin stainless steel..... **RJRX01**
Grey PVD..... **RJRX02**

L = Width
P = Depth
H = Height
Pr = Price code

T a p s

ECLIPSE - Design Studiocharlie
Premio Compasso d'Oro ADI 2018

Taps in AISI 304 stainless steel - Finish: satin or grey PVD.

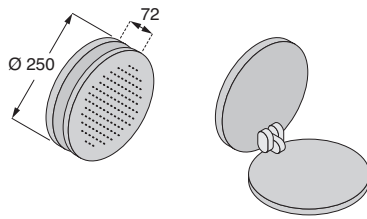
The round upper surface of mixers, taps and diverters is made of polished stainless steel, both for taps in satin stainless steel and grey PVD finish.

PVD = Physical Vapour Deposition.

Elements in PVD finish may present some tone differences. These issues cannot be considered cause for a complaint.



ECLIPSE - Wall-mounted shower head.



- With adjustable mechanism.
- Diameter: 250 mm.
- Flow rate: 16,0 l/min.

Satin stainless steel..... **RRRX01**
Grey PVD..... **RRRX03**