

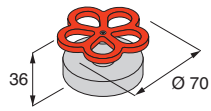


# Taps

PIPE - Design Marcel Wanders

Taps in AISI 304 stainless steel - Finish: satin with red handle.

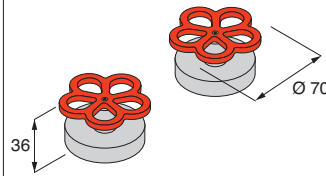
PIPE - Top-mounted mixer tap for washbasin.



- Compatible with all top-mounted, wall or floor-mounted spouts.
- Progressive ceramic cartridge, 90° opening.

Satin stainless steel + red. . . . . **REFP03**

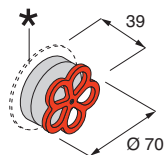
PIPE - Top-mounted two handle tap for washbasin.



- Compatible with all top-mounted, wall or floor-mounted spouts.
- 1/2" ceramic screw disks, 90° opening.

Satin stainless steel + red. . . . . **RGFP01**

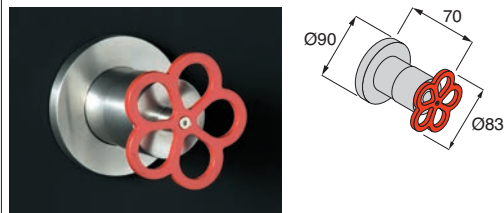
PIPE - Wall-mounted, built-in mixer tap for washbasin / bidet / shower.



- Compatible with all top-mounted, wall or floor-mounted spouts.
- Compatible with all wall-mounted shower heads or hand-showers.
- \* = the Ø 80 mm washer is included.
- Progressive ceramic cartridge, 90° opening.

Satin stainless steel + red. External part. . . . . **REFP04E**  
Recessed part. . . . . **REGN04I**

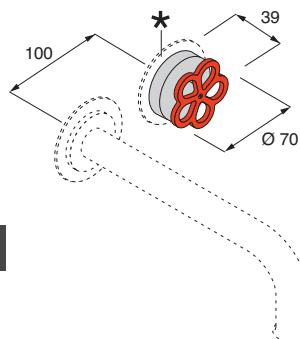
PIPE - Wall-mounted mixer tap for washbasin / shower.



- 1/2" connection.
- Compatible with all top-mounted, wall or floor-mounted spouts.
- Cartridge for single lever mixers.
- Flow rate: 16,0 l/min.

Satin stainless steel + red. . . . . **REFP02**

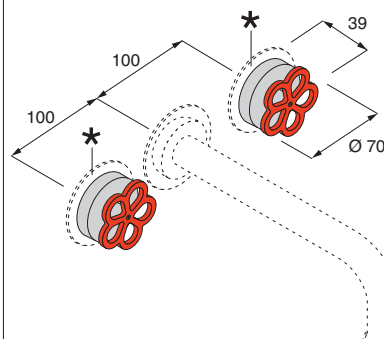
PIPE - Wall-mounted, built-in washbasin mixer tap.



- Please order the spout (compulsory) separately.
- Compatible with all wall-mounted spouts.
- The spout must be ALWAYS installed on the left side of the mixer, as shown in the drawing.
- \* = the Ø 80 mm washer is included.
- Progressive ceramic cartridge, 90° opening.

Satin stainless steel + red. External part. . . . . **REFP06E**  
Recessed part. . . . . **REGN02I**

PIPE - Wall-mounted, built-in two handle tap for washbasin.



- Please order the spout (compulsory) separately.
- Compatible with all wall-mounted spouts.
- The spout must be ALWAYS installed as shown in the drawing.
- \* = the Ø 80 mm washer is included.
- 1/2" ceramic screw disks, 90° opening.

Satin stainless steel + red. External part. . . . . **RGFP02E**  
Recessed part. . . . . **RGGN02I**

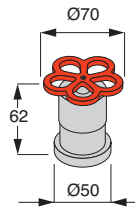
L = Width  
P = Depth  
H = Height  
Pr = Price code

# Taps

PIPE - Design Marcel Wanders

Taps in AISI 304 stainless steel - Finish: satin with red handle.

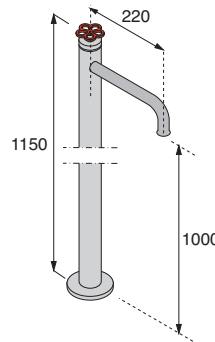
PIPE - Top-mounted mixer tap for washbasin.



- 3/8" connection.
- With hose.
- Compatible with all top-mounted, wall or floor-mounted spouts.
- Cartridge for single lever mixers.
- Flow rate: 10,0 l/min.

Satin stainless steel + red. . . . . **REFP01**

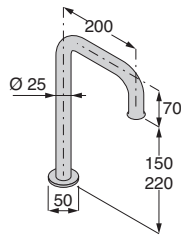
PIPE - Freestanding floor-mounted mixer tap for washbasin.



- Progressive ceramic cartridge, 90° opening.
- Flow rate: 4,5 l/min.

Satin stainless steel + red, External part. . . . . **REFP05E**  
 Recessed part. . . . . **REDM10I**

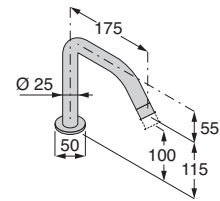
PIPE - Top-mounted spout for washbasin/bathtub.



- Flow rate: washbasin use 4,5 l/min - bathtub use 26,0 l/min.

Satin stainless steel, H 220 mm. . . . . **RIFP01**  
 Satin stainless steel, H 290 mm. . . . . **RIFP02**

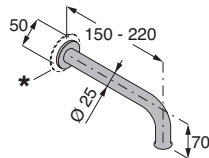
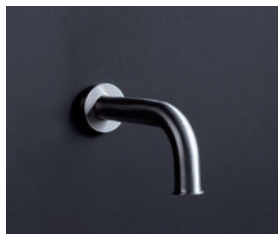
PIPE - Spout for bidet.



- Lockable swivel aerator.
- Flow rate: 8,6 l/min.

Satin stainless steel. . . . . **RIFP07**

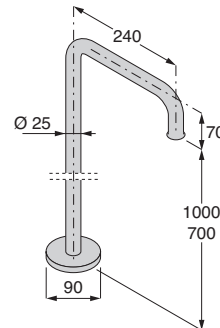
PIPE - Wall-mounted spout for washbasin/bathtub.



- Flow rate: washbasin use 4,5 l/min - bathtub use 26,0 l/min.
- \* = the Ø 80 mm washer is included.

Satin stainless steel, P 150 mm. . . . . **RIFP03**  
 Satin stainless steel, P 220 mm. . . . . **RIFP04**

PIPE - Freestanding floor-mounted spout.



- Flow rate: RIFP05 4,5 l/min - RIFP06 26,0 l/min.

Satin stainless steel, for washbasin - H 1070 mm. . . . . **RIFP05**  
 Satin stainless steel, for bathtub - H 770 mm. . . . . **RIFP06**

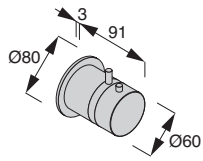
L = Width  
 P = Depth  
 H = Height  
 Pr = Price code

# Taps

PIPE - Design Marcel Wanders

Taps in AISI 304 stainless steel - Finish: satin with red handle.

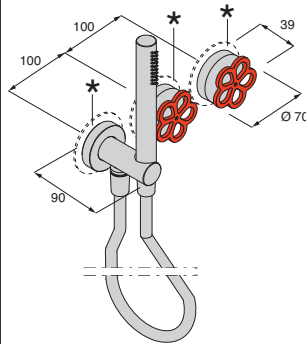
PIPE - Wall-mounted, built-in thermostatic mixer tap.



- Flow rate: 16,0 l/min.

Satin stainless steel, external part..... **REFP07E**  
 Recessed part..... **RHRX03I**

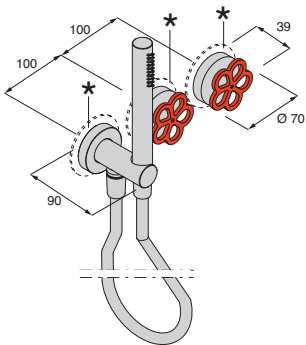
PIPE - Wall-mounted, built-in tap set for shower/bathtub.



- Mixer tap with 90° progressive cartridge, 2-way diverter and hand-shower.
- Bathtub use: water supply to overflow.
- \* = the Ø 80 mm washer is included.
- Flow rate: 16,0 l/min.

Satin stainless steel + red. External part..... **RGFP03E**  
 Recessed part..... **RGGN03I**

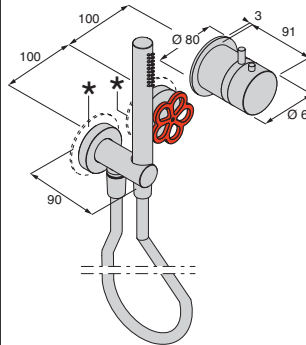
PIPE - Wall-mounted, built-in tap set for shower.



- Single lever mixer tap with 90° progressive cartridge, 3-way diverter and hand-shower.
- \* = the Ø 80 mm washer is included.
- Flow rate: 16,0 l/min.

Satin stainless steel + red. External part..... **RGFP04E**  
 Recessed part..... **RGGN04I**

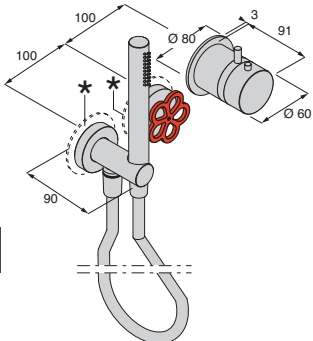
PIPE - Wall-mounted, built-in thermostatic tap set for shower.



- Thermostatic mixer, 2-way diverter, hand-shower.
- \* = the Ø 80 mm washer is included.
- Flow rate: 16,0 l/min.

Satin stainless steel + red. External part..... **RHFP02E**  
 Recessed part..... **RHGN02I**

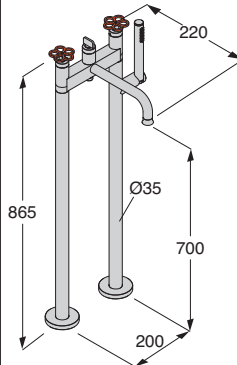
PIPE - Wall-mounted, built-in thermostatic tap set for shower.



- Thermostatic mixer, 3-way diverter, hand-shower.
- \* = the Ø 80 mm washer is included.
- Flow rate: 16,0 l/min.

Satin stainless steel + red. External part..... **RHFP03E**  
 Recessed part..... **RHGN03I**

PIPE - Freestanding/floor-mounted bathtub tap set.



- Cold/warm taps, spout, diverter, hand-shower.
- 1/2" ceramic screw disks, 90° opening.
- Flow rate: 20,0 l/min.

Satin stainless steel + red, External part..... **RGFP05E**  
 Recessed part..... **RGGN08I**

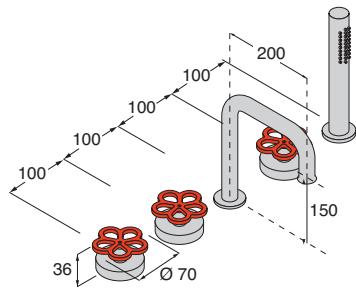
L = Width  
 P = Depth  
 H = Height  
 Pr = Price code

# Taps

PIPE - Design Marcel Wanders

Taps in AISI 304 stainless steel - Finish: satin with red handle.

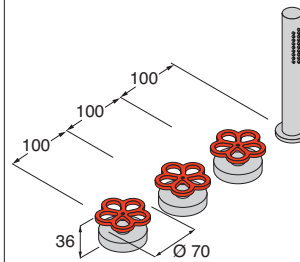
PIPE - Built-in deck-mounted tap set for bathtub.



- Cold/warm taps, spout, hand-shower with its mixer.
- 1/2" ceramic screw disks, 90° opening.
- Flow rate: 20,0 l/min.

Satin stainless steel + red. . . . . **RGFP06**

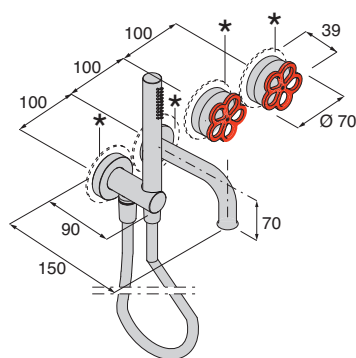
PIPE - Built-in deck-mounted tap set for bathtub. Without spout.



- Cold/warm taps, hand-shower with its mixer.
- 1/2" ceramic screw disks, 90° opening.
- Flow rate: 20,0 l/min.

Satin stainless steel + red. . . . . **RGFP07**

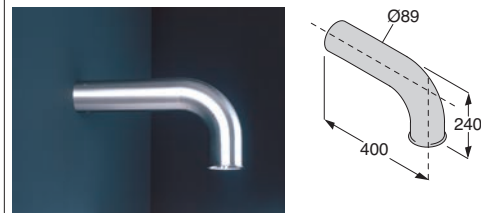
PIPE - Wall-mounted, built-in tap set for bathtub.



- Mixer tap with 90° progressive cartridge, spout, diverter and hand-shower.
- \* = the Ø 80 mm washer is included.
- Flow rate: 20,0 l/min.

Satin stainless steel + red. External part. . . . . **RGFP08E**  
 Recessed part. . . . . **RGGN07I**

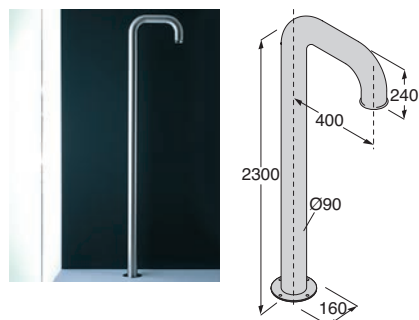
PIPE - Wall-mounted spout for shower.



- 1/2" connection.
- Provided with supporting part.
- Flow rate: 16,0 l/min.

Satin stainless steel. . . . . **RFFP01**

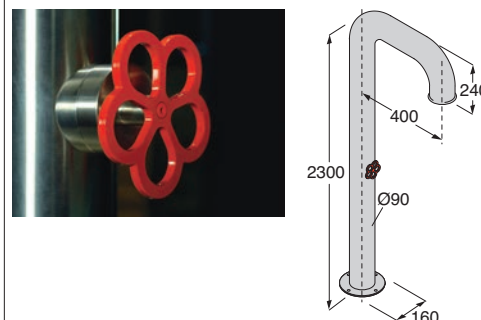
PIPE - Freestanding floor-mounted spout for shower.



- 1/2" connection.
- Provided with fixing flange and drain well.
- Flow rate: 16,0 l/min.

Satin stainless steel. . . . . **RFFP02**

PIPE - Freestanding floor-mounted spout with mixer for shower.



- 1/2" connections.
- Progressive ceramic cartridge, 90° opening.
- Provided with fixing flange and drain well.
- Flow rate: 14,0 l/min.

Satin stainless steel + red. . . . . **RFFP03**

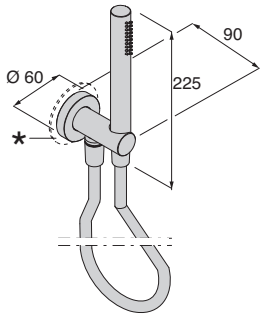
L = Width  
 P = Depth  
 H = Height  
 Pr = Price code

## T a p s

PIPE - Design Marcel Wanders

Taps in AISI 304 stainless steel - Finish: satin with red handle.

PIPE - Wall-mounted hand shower.



- With 1500 mm long hose and water connection.
- \* = the Ø 80 mm washer is included.
- Flow rate: 9,0 l/min.

Satin stainless steel..... **RJFP01**