

Rubinetteria in acciaio inossidabile AISI 316L, disponibile nelle versioni progressiva, bicomando e termostatica. Reinterpretazione in chiave moderna della maniglia trilobata, ZIQQ evoca le costruzioni a gradoni delle torri templari della Mesopotamia antica dette ZIQQURAT, simbolo della comunicazione tra il cielo e la terra. Dal design lineare ma dinamico, ZIQQ si caratterizza per l'asimmetria e la sezione variabile.

Le bocche di erogazione lavabo e bidet sono dotate di aeratori a risparmio idrico a 5 l/min sostituibili con aeratori a 3,8 l/min o 1,9 l/min (indicati nella scheda ricambi), qualora sia richiesta una certificazione LEED. Gli aeratori a risparmio idrico sono indicati con l'icona ad una goccia. Le bocche di erogazione per il riempimento vasca, sono fornite di rompigetto privo di limitazione di portata, di seguito indicate con l'icona a tre gocce.

Un'ampia scelta di comandi remoti e gruppi doccia consente infinite combinazioni con le erogazioni FREE IDEAS.

Tutti i prodotti della collezione ZIQQ sono disponibili nelle varianti satinato e lucidato e in tutte le finiture speciali CEA ecologiche e biocompatibili. È possibile personalizzare le maniglie in 4 ESSENZE DI LEGNO nelle finiture satinato, lucidato e Black Diamond. La rubinetteria è completata dalla collezione di accessori ZIQQ.

The taps collection, made of AISI 316L stainless steel, is available with progressive, dual handle and thermostatic mixers. A modern reinterpretation of the three-lobed handle, ZIQQ evokes the stepped constructions of the ancient Mesopotamian temples known as ZIQQURAT, symbol of communication between heaven and earth. With its linear but dynamic design, ZIQQ is characterized by its asymmetry and variable section.

The spouts for washbasin and bidet are equipped with water saving aerators of 5 l/min, which can be replaced by aerators of 3.8 l/min or 1.9 l/min (indicated in the spare parts sheet), should a LEED certification be required. All water-saving aerators are indicated by the icon showing one single drop. The spouts for tub filling are equipped with a flow straightener without flow restriction, indicated below by the icon showing three drops.

A wide choice of remote controls and shower sets allows endless combinations with FREE IDEAS outlets.

All the products of the ZIQQ collection are available in satin and polished finish and in all CEAs special finishes guaranteeing an ecological and biocompatible solution. ZIQQ can also be personalized with handles in 4 different WOOD ESSENCES available in satin, polished and Black Diamond finish. These taps are completed with the ZIQQ accessories collection.

**RUBINETTERIA LAVABO / BIDET
TAPS FOR WASHBASIN / BIDET**



**MISCELATORI PROGRESSIVI MONOFORO
SINGLE HOLE PROGRESSIVE MIXERS**



**RUBINETTO MONOACQUA
PILLAR TAP**



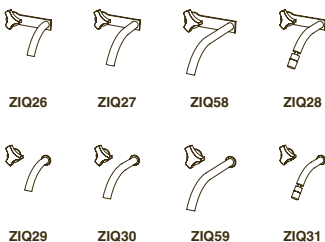
**MISCELATORI PROGRESSIVI DUE FORI
TWO-HOLE PROGRESSIVE MIXERS**



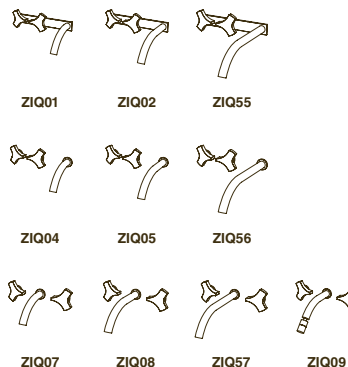
**RUBINETTERIA TRE FORI
THREE-HOLE TAPS**



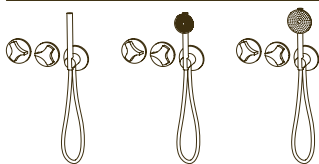
**MISCELATORI PROGRESSIVI A PARETE
WALL-MOUNTED PROGRESSIVE MIXERS**



**RUBINETTERIA BICOMANDO A PARETE
WALL-MOUNTED DUAL HANDLE TAPS**

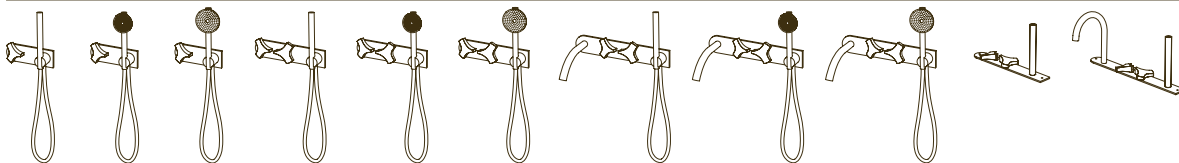


GRUPPI TERMOSTATICI CON DEVIATORE
THERMOSTATIC SETS WITH DIVERTER



ZIQ71 ZIQ71Y ZIQ71H

GRUPPI PROGRESSIVI
PROGRESSIVE SETS



ZIQ42 ZIQ42Y ZIQ42H ZIQ43 ZIQ43Y ZIQ43H ZIQ44 ZIQ44Y ZIQ44H ZIQ46 ZIQ47



ZIQ48 ZIQ48Y ZIQ48H ZIQ49 ZIQ49Y ZIQ49H ZIQ50 ZIQ50Y ZIQ50H ZIQ51

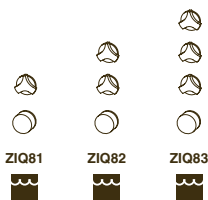
COMANDI REMOTI ED EROGAZIONI
REMOTE CONTROLS AND WATER SUPPLIES

GRUPPI TERMOSTATICI CON DEVIATORE
THERMOSTATIC SETS WITH DIVERTER



ZIQ72 ZIQ80

GRUPPI TERMOSTATICI CON RUBINETTI D'ARRESTO
THERMOSTATIC SETS WITH SHUT-OFF VALVES



ZIQ81 ZIQ82 ZIQ83

MISCELATORI TERMOSTATICI
THERMOSTATIC MIXERS



TRM09 TRM06 TRM20

DEVIATORE
DIVERTER



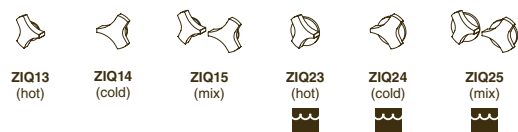
DEV10

MISCELATORI PROGRESSIVI
PROGRESSIVE MIXERS



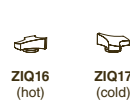
ZIQ18 ZIQ19

RUBINETTI D'ARRESTO A PARETE
WALL-MOUNTED SHUT-OFF VALVES



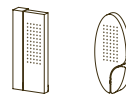
ZIQ13 (hot) ZIQ14 (cold) ZIQ15 (mix) ZIQ23 (hot) ZIQ24 (cold) ZIQ25 (mix)

RUBINETTI D'ARRESTO A PIANO
DECK-MOUNTED SHUT-OFF VALVES



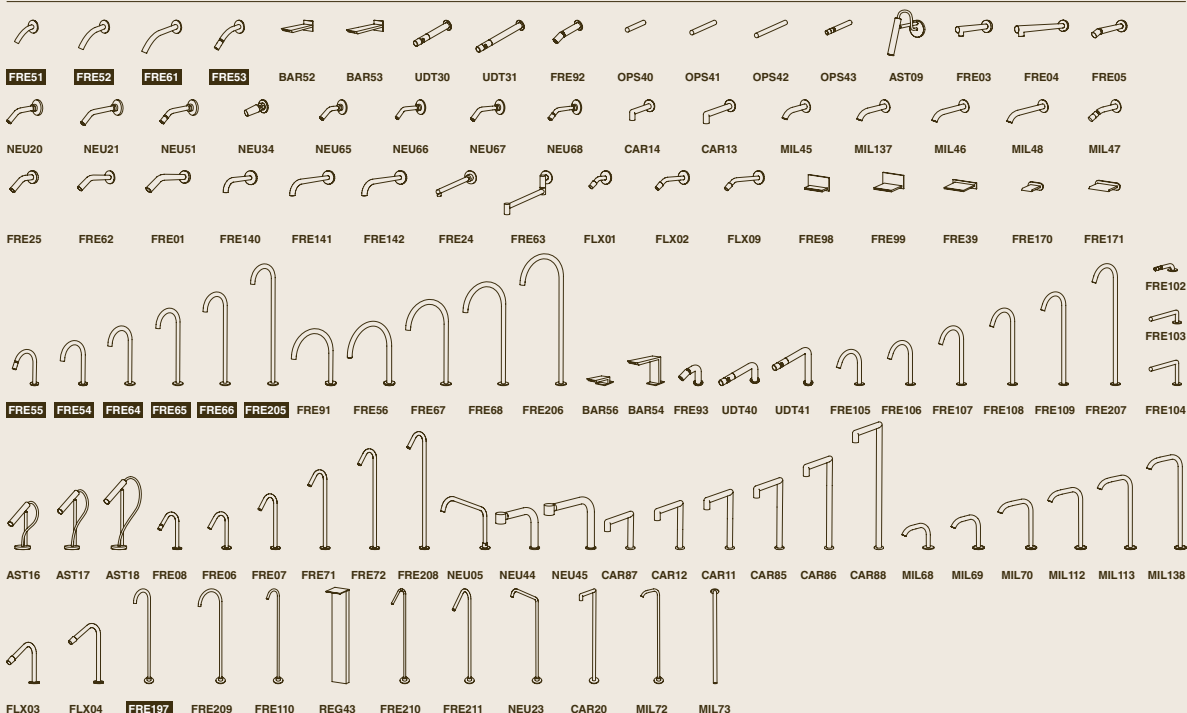
ZIQ16 (hot) ZIQ17 (cold)

SOFFIONI
SHOWER HEADS



ZIQ52 ZIQ53

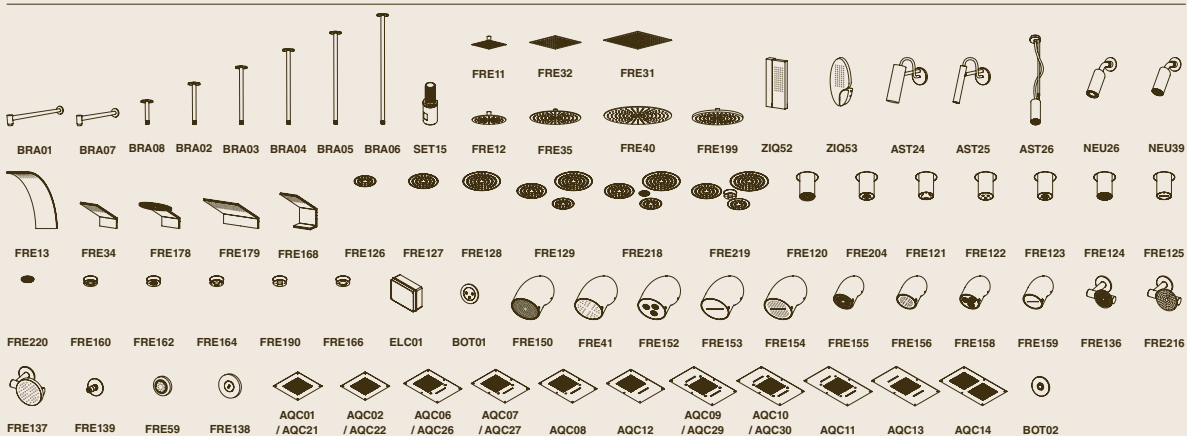
EROGATORI LAVABO - BIDET / SPOUTS FOR WASHBASIN - BIDET



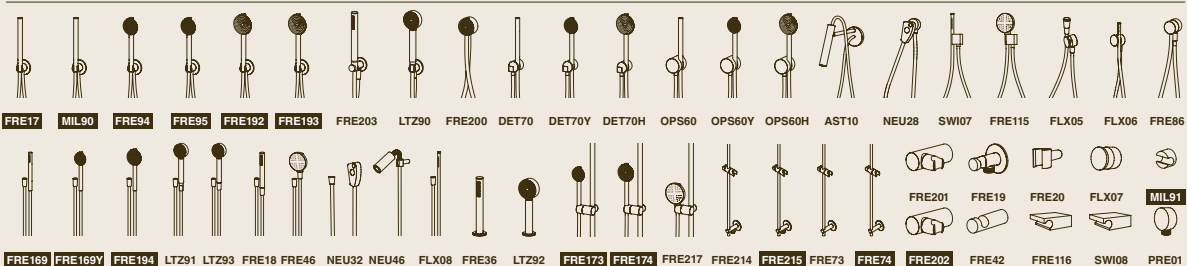
EROGATORI VASCA - DOCCIA / SPOUTS FOR BATHTUB - SHOWER



SOFFIONI E WELLNESS / SHOWER HEADS AND WELLNESS



DOCCETTE E SUPPORTI / HAND-SHOWERS AND BRACKETS



ZIQ 36



Miscelatore progressivo monoforo con bocca di erogazione orientabile
Deck mounted progressive mixer with adjustable spout
Progressiver Einloch-Mischer mit beweglichem Auslauf
Mezclador progresivo monomando con caño orientable
Mitigeur progressif sur plan avec bec orientable

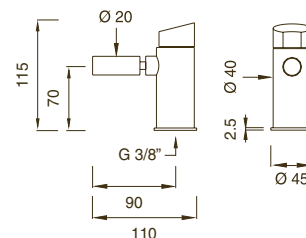
ZIQ 36 S
ZIQ 36 L



SPECIAL FINISHES

S L

KD / Z / P / X



ZIQ 37



Miscelatore progressivo monoforo con bocca di erogazione
Deck mounted progressive mixer with spout
Progressive Einloch-Mischer mit Auslauf
Mezclador progresivo monomando con caño
Mitigeur progressif sur plan avec bec

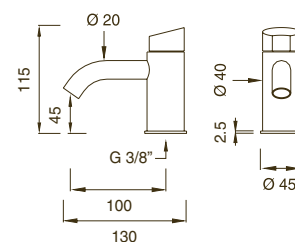
ZIQ 37 S
ZIQ 37 L



SPECIAL FINISHES

S L

KD / Z / P / X



ZIQ 38



Miscelatore progressivo monoforo con bocca di erogazione orientabile
Deck mounted progressive mixer with adjustable spout
Progressiver Einloch-Mischer mit beweglichem Auslauf
Mezclador progresivo monomando con caño orientable
Mitigeur progressif sur plan avec bec orientable

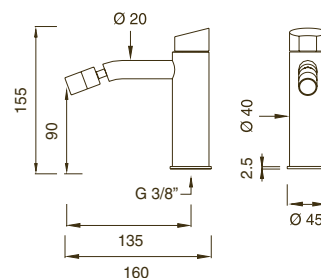
ZIQ 38 S
ZIQ 38 L



SPECIAL FINISHES

S L

KD / Z / P / X



ZIQ 39



Miscelatore progressivo monoforo con bocca di erogazione
Deck mounted progressive mixer with spout
Progressive Einloch-Mischer mit Auslauf
Mezclador progresivo monomando con caño
Mitigeur progressif sur plan avec bec

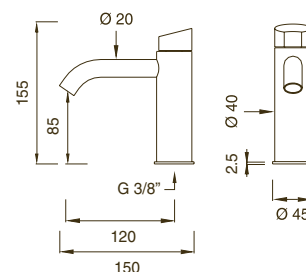
ZIQ 39 S
ZIQ 39 L



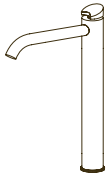
SPECIAL FINISHES

S L

KD / Z / P / X



ZIQ 40



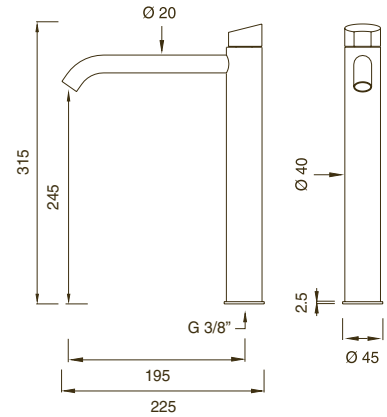
Miscelatore progressivo monoforo per lavabo da appoggio
 Deck mounted progressive mixer for countertop basin
 Progressiver Einloch-Mischer für Aufsatzbecken
 Mezclador progresivo monomando para lavabo de apoyo
 Mitigeur progressif sur plan pour lavabo d'appui

ZIQ 40 S
 ZIQ 40 L



SPECIAL FINISHES S L

KD / Z / P / X



ZIQ 54



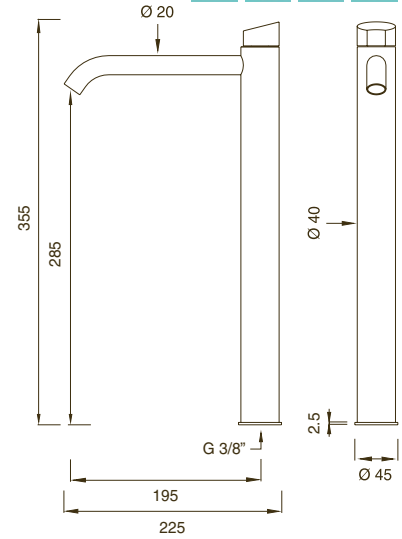
Miscelatore progressivo monoforo per lavabo da appoggio
 Deck mounted progressive mixer for countertop basin
 Progressiver Einloch-Mischer für Aufsatzbecken
 Mezclador progresivo monomando para lavabo de apoyo
 Mitigeur progressif sur plan pour lavabo d'appui

ZIQ 54 S
 ZIQ 54 L

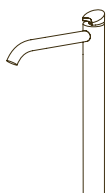


SPECIAL FINISHES S L

KD / Z / P / X



ZIQ 70



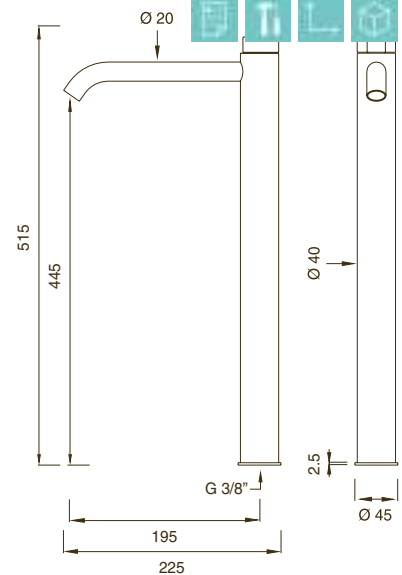
Miscelatore progressivo monoforo per lavabo da appoggio
 Deck mounted progressive mixer for countertop basin
 Progressiver Einloch-Mischer für Aufsatzbecken
 Mezclador progresivo monomando para lavabo de apoyo
 Mitigeur progressif sur plan pour lavabo d'appui

ZIQ 70 S
 ZIQ 70 L



SPECIAL FINISHES S L

KD / Z / P / X



ZIQ 41



Miscelatore progressivo a colonna da pavimento per lavabo
 Free-standing progressive mixer for washbasin
 Progressive Mischer für freistehendes Waschbecken
 Mezclador progresivo a suelo para lavabo
 Mitigeur progressif lavabo montage au sol

ZIQ 41 S

ZIQ 41 L

INC 01 (G 1/2")

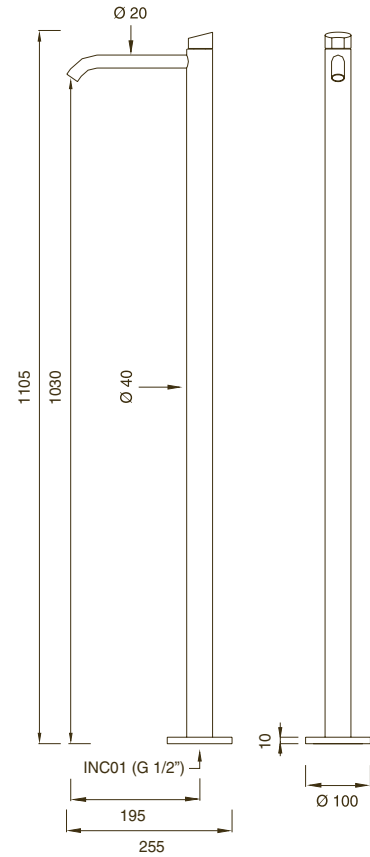


SPECIAL FINISHES

S

L

KD / Z / P / X



ZIQ 74



Rubinetto per lavamani con connessione monoacqua
 Pillar tap for hot or cold water connection
 Kaltwasser-Standventil für Handwaschbecken
 Grifo de agua fría para lavamanos
 Robinet de lave-mains pour raccordement en eau froide

ZIQ 74 S

ZIQ 74 L

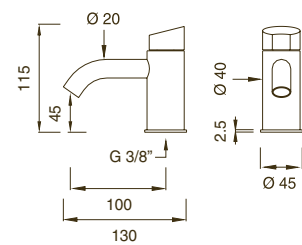


SPECIAL FINISHES

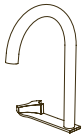
S

L

KD / Z / P / X



ZIQ 32

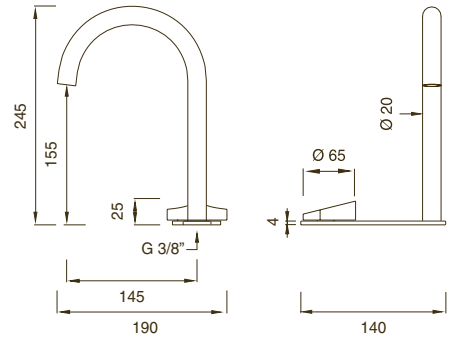


Miscelatore progressivo 2 fori con bocca di erogazione girevole
Two-hole progressive mixer with swivelling spout
Progressiver Zweilocharmatur Mischer mit drehbarem Auslauf
Mezclador progresivo con 2 orificios y caño giratorio
Mitigeur progressif 2 trous avec bec pivotant

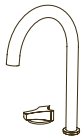
ZIQ 32 S
ZIQ 32 L



WOOD ESSENCES	S	L
WE / N / T / O		
SPECIAL FINISHES	S	L
KD / Z / P / X		
BLACK DIAMOND + WOOD ESSENCES	KDS	KDL
WE / N / T / O		



ZIQ 34

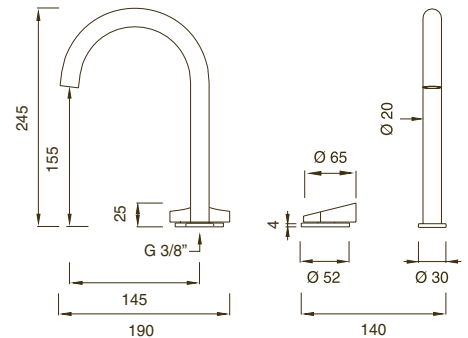


Miscelatore progressivo 2 fori con bocca di erogazione girevole
Two-hole progressive mixer with swivelling spout
Progressiver Zweilocharmatur Mischer mit drehbarem Auslauf
Mezclador progresivo con 2 orificios y caño giratorio
Mitigeur progressif 2 trous avec bec pivotant

ZIQ 34 S
ZIQ 34 L



WOOD ESSENCES	S	L
WE / N / T / O		
SPECIAL FINISHES	S	L
KD / Z / P / X		
BLACK DIAMOND + WOOD ESSENCES	KDS	KDL
WE / N / T / O		



ZIQ 10

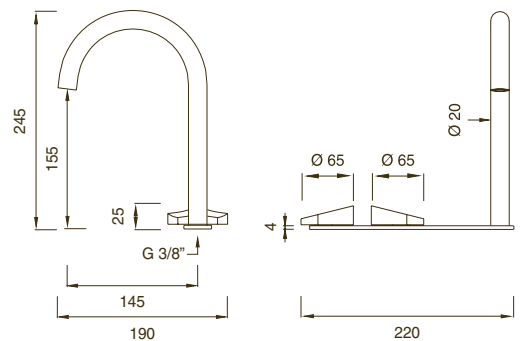


Rubinetteria 3 fori con bocca di erogazione girevole
Three-hole mixer with swivelling spout
Dreilocharmatur mit 2 Ventilen und drehbarer Auslauf
Grifería con 3 orificios y caño giratorio
Mélangeur 3 trous avec bec pivotant

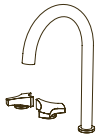
ZIQ 10 S
ZIQ 10 L



WOOD ESSENCES	S	L
WE / N / T / O		
SPECIAL FINISHES	S	L
KD / Z / P / X		
BLACK DIAMOND + WOOD ESSENCES	KDS	KDL
WE / N / T / O		



ZIQ 11

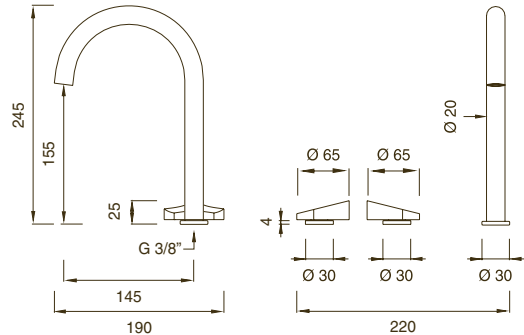


Rubinetteria 3 fori con bocca di erogazione girevole
 Three-hole mixer with swivelling spout
 Dreilocharmatur mit 2 Ventilen und drehbarer Auslauf
 Grifería con 3 orificios y caño giratorio
 Mélangeur 3 trous avec bec pivotant

ZIQ 11 S
 ZIQ 11 L



WOOD ESSENCES	S	L
WE / N / T / O		
SPECIAL FINISHES	S	L
KD / Z / P / X		
BLACK DIAMOND + WOOD ESSENCES	KDS	KDL
WE / N / T / O		



ZIQ 12

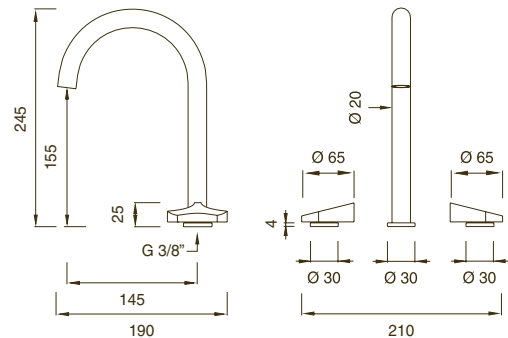


Rubinetteria 3 fori con bocca di erogazione girevole
 Three-hole mixer with swivelling spout
 Dreilocharmatur mit 2 Ventilen und drehbarer Auslauf
 Grifería con 3 orificios y caño giratorio
 Mélangeur 3 trous avec bec pivotant

ZIQ 12 S
 ZIQ 12 L



WOOD ESSENCES	S	L
WE / N / T / O		
SPECIAL FINISHES	S	L
KD / Z / P / X		
BLACK DIAMOND + WOOD ESSENCES	KDS	KDL
WE / N / T / O		



ZIQ 73

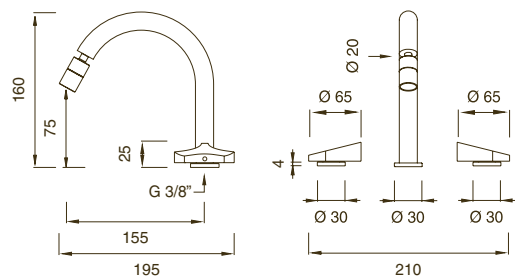


Rubinetteria 3 fori con bocca di erogazione orientabile
 Three-hole mixer with adjustable spout
 Dreilocharmatur mit 2 Ventilen und beweglicher Auslauf
 Grifería con 3 orificios y caño orientable
 Mélangeur 3 trous avec bec orientable

ZIQ 73 S
 ZIQ 73 L



WOOD ESSENCES	S	L
WE / N / T / O		
SPECIAL FINISHES	S	L
KD / Z / P / X		
BLACK DIAMOND + WOOD ESSENCES	KDS	KDL
WE / N / T / O		

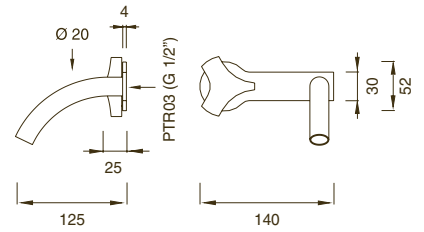
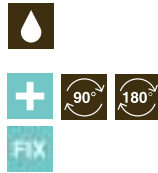


ZIQ 26



Miscelatore progressivo a parete con bocca di erogazione
Wall mounted progressive mixer with spout
Wandeinbau progressiver Mischer mit Auslauf
Mezclador progresivo mural con caño
Mitigeur progressif mural avec bec

ZIQ 26 S
ZIQ 26 L
PTR 03 (G 1/2")
FIX 01



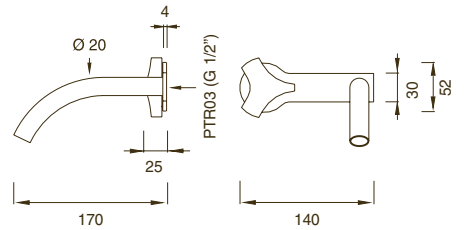
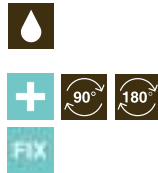
WOOD ESSENCES	S	L
WE / N / T / O		
SPECIAL FINISHES	S	L
KD / Z / P / X		
BLACK DIAMOND + WOOD ESSENCES	KDS	KDL
WE / N / T / O		

ZIQ 27



Miscelatore progressivo a parete con bocca di erogazione
Wall mounted progressive mixer with spout
Wandeinbau progressiver Mischer mit Auslauf
Mezclador progresivo mural con caño
Mitigeur progressif mural avec bec

ZIQ 27 S
ZIQ 27 L
PTR 03 (G 1/2")
FIX 01



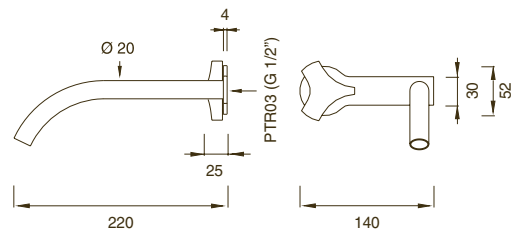
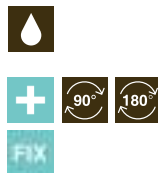
WOOD ESSENCES	S	L
WE / N / T / O		
SPECIAL FINISHES	S	L
KD / Z / P / X		
BLACK DIAMOND + WOOD ESSENCES	KDS	KDL
WE / N / T / O		

ZIQ 58



Miscelatore progressivo a parete con bocca di erogazione
Wall mounted progressive mixer with spout
Wandeinbau progressiver Mischer mit Auslauf
Mezclador progresivo mural con caño
Mitigeur progressif mural avec bec

ZIQ 58 S
ZIQ 58 L
PTR 03 (G 1/2")
FIX 01



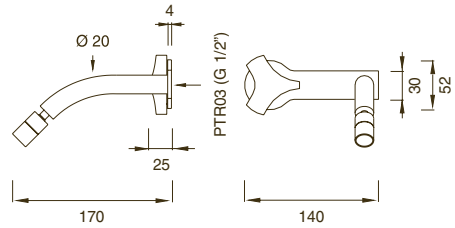
WOOD ESSENCES	S	L
WE / N / T / O		
SPECIAL FINISHES	S	L
KD / Z / P / X		
BLACK DIAMOND + WOOD ESSENCES	KDS	KDL
WE / N / T / O		

ZIQ 28



Miscelatore progressivo a parete con bocca di erogazione orientabile
 Wall mounted progressive mixer with adjustable spout
 Wandeinbau progressiver Mischer mit beweglichem Auslauf
 Mezclador progresivo mural con caño orientable
 Mitigeur progressif mural avec bec orientable

ZIQ 28 S
 ZIQ 28 L
 PTR 03 (G 1/2")
 FIX 01



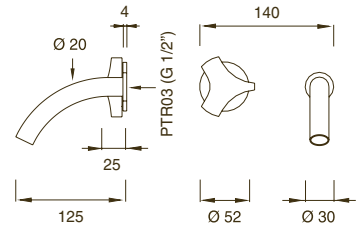
WOOD ESSENCES	S	L
WE / N / T / O		
SPECIAL FINISHES	S	L
KD / Z / P / X		
BLACK DIAMOND + WOOD ESSENCES	KDS	KDL
WE / N / T / O		

ZIQ 29



Miscelatore progressivo a parete con bocca di erogazione
 Wall mounted progressive mixer with spout
 Wandeinbau progressiver Mischer mit Auslauf
 Mezclador progresivo mural con caño
 Mitigeur progressif mural avec bec

ZIQ 29 S
 ZIQ 29 L
 PTR 03 (G 1/2")
 FIX 01



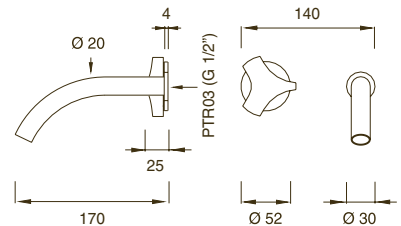
WOOD ESSENCES	S	L
WE / N / T / O		
SPECIAL FINISHES	S	L
KD / Z / P / X		
BLACK DIAMOND + WOOD ESSENCES	KDS	KDL
WE / N / T / O		

ZIQ 30



Miscelatore progressivo a parete con bocca di erogazione
 Wall mounted progressive mixer with spout
 Wandeinbau progressiver Mischer mit Auslauf
 Mezclador progresivo mural con caño
 Mitigeur progressif mural avec bec

ZIQ 30 S
 ZIQ 30 L
 PTR 03 (G 1/2")
 FIX 01



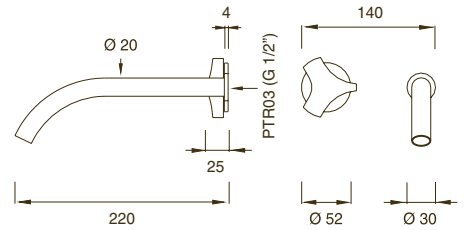
WOOD ESSENCES	S	L
WE / N / T / O		
SPECIAL FINISHES	S	L
KD / Z / P / X		
BLACK DIAMOND + WOOD ESSENCES	KDS	KDL
WE / N / T / O		

ZIQ 59



Miscelatore progressivo a parete con bocca di erogazione
Wall mounted progressive mixer with spout
Wandeinbau progressiver Mischer mit Auslauf
Mezclador progresivo mural con caño
Mitigeur progressif mural avec bec

ZIQ 59 S
ZIQ 59 L
PTR 03 (G 1/2")
FIX 01



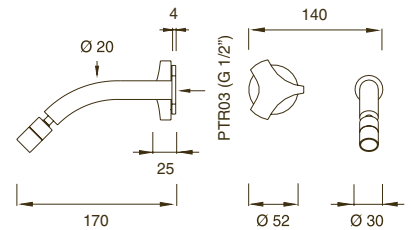
WOOD ESSENCES	S	L
WE / N / T / O		
SPECIAL FINISHES	S	L
KD / Z / P / X		
BLACK DIAMOND + WOOD ESSENCES	KDS	KDL
WE / N / T / O		

ZIQ 31



Miscelatore progressivo a parete con bocca di erogazione orientabile
Wall mounted progressive mixer with adjustable spout
Wandeinbau progressiver Mischer mit beweglichem Auslauf
Mezclador progresivo mural con caño orientable
Mitigeur progressif mural avec bec orientable

ZIQ 31 S
ZIQ 31 L
PTR 03 (G 1/2")
FIX 01



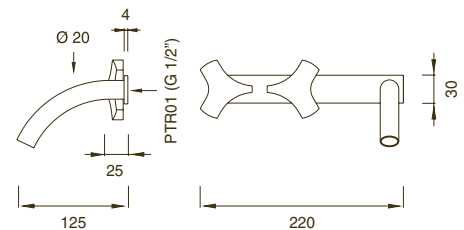
WOOD ESSENCES	S	L
WE / N / T / O		
SPECIAL FINISHES	S	L
KD / Z / P / X		
BLACK DIAMOND + WOOD ESSENCES	KDS	KDL
WE / N / T / O		

ZIQ 01



Miscelatore bicomando a parete con bocca di erogazione
Wall mounted dual handle mixer with spout
Zweigriff-Wandmischer mit Auslauf
Mezclador bimando mural con caño
Mélangeur mural avec bec

ZIQ 01 S
ZIQ 01 L
PTR 01 (G 1/2")
FIX 01



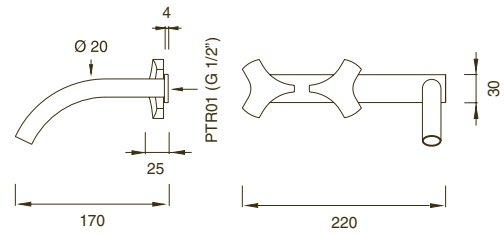
WOOD ESSENCES	S	L
WE / N / T / O		
SPECIAL FINISHES	S	L
KD / Z / P / X		
BLACK DIAMOND + WOOD ESSENCES	KDS	KDL
WE / N / T / O		

ZIQ 02



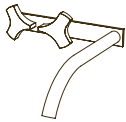
Miscelatore bicomando a parete con bocca di erogazione
Wall mounted dual handle mixer with spout
Zweigriff-Wandmischer mit Auslauf
Mezclador bimando mural con caño
Mélangeur mural avec bec

ZIQ 02 S
ZIQ 02 L
PTR 01 (G 1/2")
FIX 01



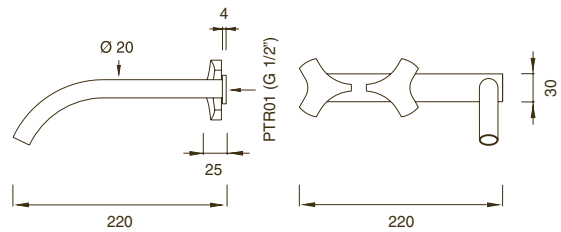
WOOD ESSENCES	S	L
WE / N / T / O		
SPECIAL FINISHES	S	L
KD / Z / P / X		
BLACK DIAMOND + WOOD ESSENCES	KDS	KDL
WE / N / T / O		

ZIQ 55



Miscelatore bicomando a parete con bocca di erogazione
Wall mounted dual handle mixer with spout
Zweigriff-Wandmischer mit Auslauf
Mezclador bimando mural con caño
Mélangeur mural avec bec

ZIQ 55 S
ZIQ 55 L
PTR 01 (G 1/2")
FIX 01



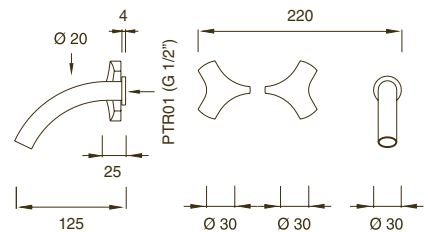
WOOD ESSENCES	S	L
WE / N / T / O		
SPECIAL FINISHES	S	L
KD / Z / P / X		
BLACK DIAMOND + WOOD ESSENCES	KDS	KDL
WE / N / T / O		

ZIQ 04

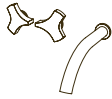


Miscelatore bicomando a parete con bocca di erogazione
Wall mounted dual handle mixer with spout
Zweigriff-Wandmischer mit Auslauf
Mezclador bimando mural con caño
Mélangeur mural avec bec

ZIQ 04 S
ZIQ 04 L
PTR 01 (G 1/2")
FIX 01



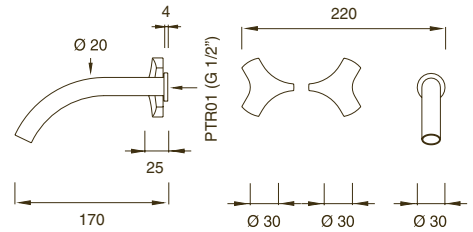
WOOD ESSENCES	S	L
WE / N / T / O		
SPECIAL FINISHES	S	L
KD / Z / P / X		
BLACK DIAMOND + WOOD ESSENCES	KDS	KDL
WE / N / T / O		



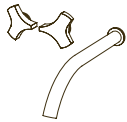
ZIQ 05

Miscelatore bicomando a parete con bocca di erogazione
 Wall mounted dual handle mixer with spout
 Zweigriff-Wandmischer mit Auslauf
 Mezclador bimando mural con caño
 Mélangeur mural avec bec

ZIQ 05 S
ZIQ 05 L
PTR 01 (G 1/2")
FIX 01



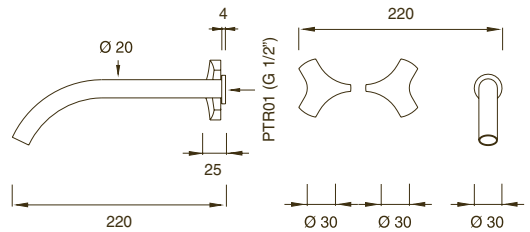
WOOD ESSENCES	S	L
WE / N / T / O		
SPECIAL FINISHES	S	L
KD / Z / P / X		
BLACK DIAMOND + WOOD ESSENCES	KDS	KDL
WE / N / T / O		



ZIQ 56

Miscelatore bicomando a parete con bocca di erogazione
 Wall mounted dual handle mixer with spout
 Zweigriff-Wandmischer mit Auslauf
 Mezclador bimando mural con caño
 Mélangeur mural avec bec

ZIQ 56 S
ZIQ 56 L
PTR 01 (G 1/2")
FIX 01



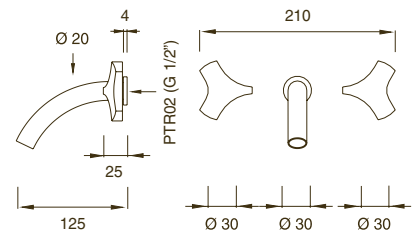
WOOD ESSENCES	S	L
WE / N / T / O		
SPECIAL FINISHES	S	L
KD / Z / P / X		
BLACK DIAMOND + WOOD ESSENCES	KDS	KDL
WE / N / T / O		



ZIQ 07

Miscelatore bicomando a parete con bocca di erogazione
 Wall mounted dual handle mixer with spout
 Zweigriff-Wandmischer mit Auslauf
 Mezclador bimando mural con caño
 Mélangeur mural avec bec

ZIQ 07 S
ZIQ 07 L
PTR 02 (G 1/2")
FIX 01



WOOD ESSENCES	S	L
WE / N / T / O		
SPECIAL FINISHES	S	L
KD / Z / P / X		
BLACK DIAMOND + WOOD ESSENCES	KDS	KDL
WE / N / T / O		

ZIQ 08



Miscelatore bicomando a parete con bocca di erogazione
 Wall mounted dual handle mixer with spout
 Zweigriff-Wandmischer mit Auslauf
 Mezclador bimando mural con caño
 Mélangeur mural avec bec

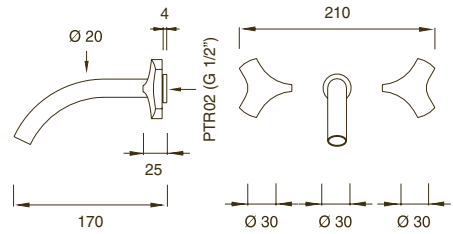
ZIQ 08 S
 ZIQ 08 L
 PTR 02 (G 1/2")
 FIX 01



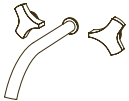
WOOD ESSENCES S L
 WE / N / T / O

SPECIAL FINISHES S L
 KD / Z / P / X

BLACK DIAMOND +
 WOOD ESSENCES KDS KDL
 WE / N / T / O



ZIQ 57



Miscelatore bicomando a parete con bocca di erogazione
 Wall mounted dual handle mixer with spout
 Zweigriff-Wandmischer mit Auslauf
 Mezclador bimando mural con caño
 Mélangeur mural avec bec

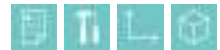
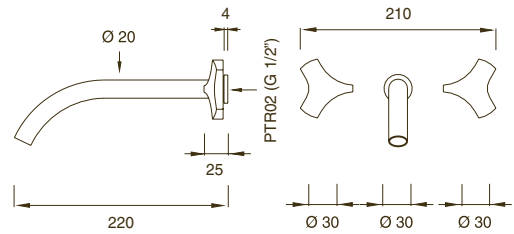
ZIQ 57 S
 ZIQ 57 L
 PTR 02 (G 1/2")
 FIX 01



WOOD ESSENCES S L
 WE / N / T / O

SPECIAL FINISHES S L
 KD / Z / P / X

BLACK DIAMOND +
 WOOD ESSENCES KDS KDL
 WE / N / T / O



ZIQ 09



Miscelatore bicomando a parete con bocca di erogazione orientabile
 Wall mounted dual handle mixer with adjustable spout
 Zweigriff-Wandmischer mit beweglichem Auslauf
 Mezclador bimando mural con caño orientable
 Mélangeur mural avec bec orientable

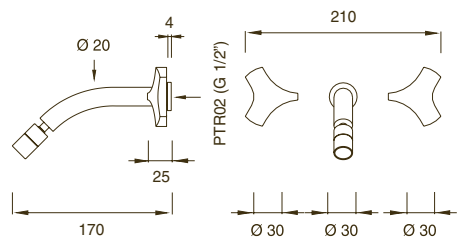
ZIQ 09 S
 ZIQ 09 L
 PTR 02 (G 1/2")
 FIX 01



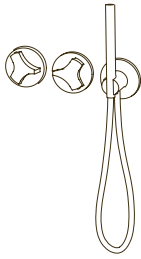
WOOD ESSENCES S L
 WE / N / T / O

SPECIAL FINISHES S L
 KD / Z / P / X

BLACK DIAMOND +
 WOOD ESSENCES KDS KDL
 WE / N / T / O



ZIQ 71



Gruppo miscelatore termostatico a parete per vasca/doccia
con Acqua Stop System, deviatore 2/3 vie e doccia

Wall mounted thermostatic mixer set for bathtub/shower with Acqua Stop System, 2/3 way diverter and hand shower

Wandeinbauarmatur mit Thermostat für Badewanne/Dusche, mit Acqua Stop System, 2/3-Wege-Umstellung und Handbrause

Grupo mezclador termostático mural para bañera/ducha con Acqua Stop System, inversor 2/3 vías y teleducha

Groupe mitigeur thermostatique mural pour baignoire/douche avec Acqua Stop System, inverseur à 2/3 voies et douchette

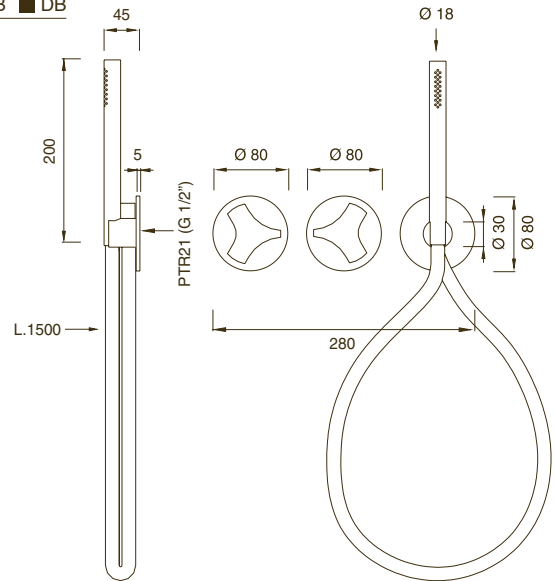
ZIQ 71 S	■ I	■ A	■ B	■ G	□ W
	■ SG	■ PG	■ BK	■ AB	■ DB
ZIQ 71 L	■ I	■ A	■ B	■ G	□ W
	■ SG	■ PG	■ BK	■ AB	■ DB

PTR 21 (G 1/2")

FIX 01



WOOD ESSENCES	S	L
WE / N / T / O		
SPECIAL FINISHES	S	L
KD / Z / P / X		
BLACK DIAMOND + WOOD ESSENCES	KDS	KDL
WE / N / T / O		

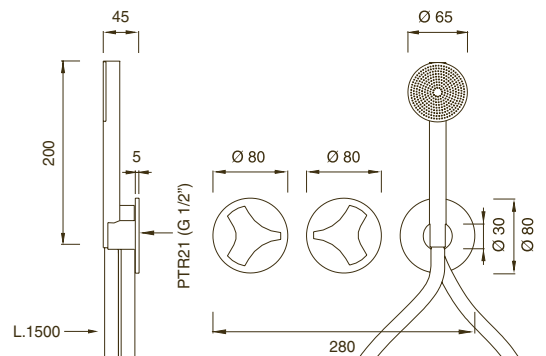


ZIQ 71 Y Ø 65 mm



ZIQ 71 Y	S	L
----------	---	---

WOOD ESSENCES	S	L
WE / N / T / O		
SPECIAL FINISHES	S	L
KD / Z / P / X		
BLACK DIAMOND + WOOD ESSENCES	KDS	KDL
WE / N / T / O		

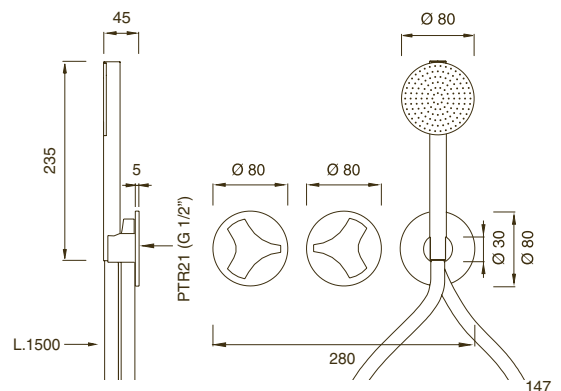


ZIQ 71 H Ø 80 mm

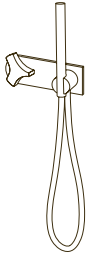


ZIQ 71 H	S	L
----------	---	---

WOOD ESSENCES	S	L
WE / N / T / O		
SPECIAL FINISHES	S	L
KD / Z / P / X		
BLACK DIAMOND + WOOD ESSENCES	KDS	KDL
WE / N / T / O		



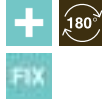
ZIQ 42



Gruppo miscelatore progressivo a parete per vasca/doccia con doccia
 Wall mounted progressive mixer set for bathtub/shower with hand shower
 Progressive Wandmischer für Badewanne/Dusche, mit Handbrause
 Grupo mezclador progresivo mural para bañera/ducha con teleducha
 Groupe mitigeur progressif mural pour baignoire/douche avec douchette

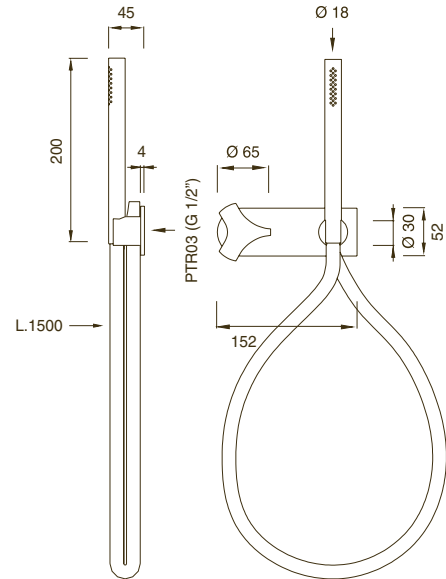
ZIQ 42 S	<input type="checkbox"/> I <input type="checkbox"/> A <input type="checkbox"/> B <input type="checkbox"/> G <input type="checkbox"/> W
ZIQ 42 L	<input type="checkbox"/> I <input type="checkbox"/> A <input type="checkbox"/> B <input type="checkbox"/> G <input type="checkbox"/> W
	<input type="checkbox"/> SG <input type="checkbox"/> PG <input type="checkbox"/> BK <input type="checkbox"/> AB <input type="checkbox"/> DB

PTR 03 (G 1/2")



FIX 01

WOOD ESSENCES	S	L
WE / N / T / O		
SPECIAL FINISHES	S	L
KD / Z / P / X		
BLACK DIAMOND + WOOD ESSENCES	KDS	KDL
WE / N / T / O		

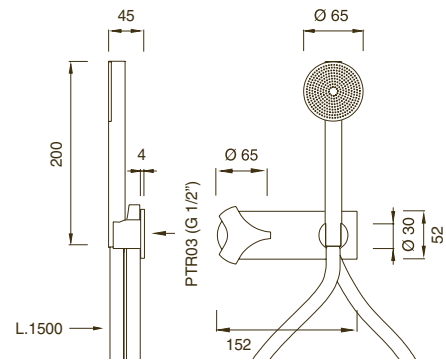


ZIQ 42 Y Ø 65 mm

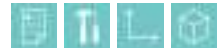


ZIQ 42 Y	S	L
----------	---	---

WOOD ESSENCES	S	L
WE / N / T / O		
SPECIAL FINISHES	S	L
KD / Z / P / X		
BLACK DIAMOND + WOOD ESSENCES	KDS	KDL
WE / N / T / O		

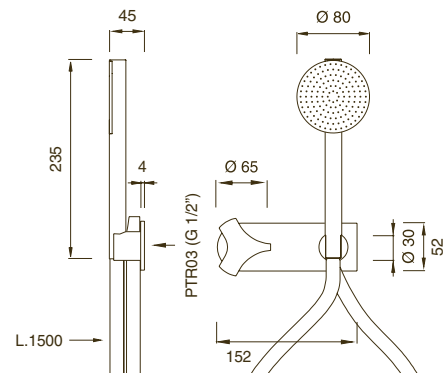


ZIQ 42 H Ø 80 mm

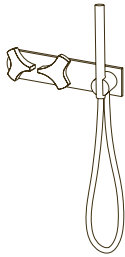


ZIQ 42 H	S	L
----------	---	---

WOOD ESSENCES	S	L
WE / N / T / O		
SPECIAL FINISHES	S	L
KD / Z / P / X		
BLACK DIAMOND + WOOD ESSENCES	KDS	KDL
WE / N / T / O		



ZIQ 43

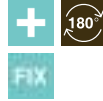


Gruppo 2 miscelatori progressivi a parete per vasca/doccia con doccetta
 Wall mounted 2 progressive mixers set for bathtub/shower with hand shower
 2 progressive Wandmischer für Badewanne/Dusche mit Handbrause
 Grupo 2 mezcladores progresivos mural para bañera/ducha con teleducha
 Groupe 2 mitigeurs progressifs mural pour baignoire/douche avec douchette

ZIQ 43 S					
ZIQ 43 L					

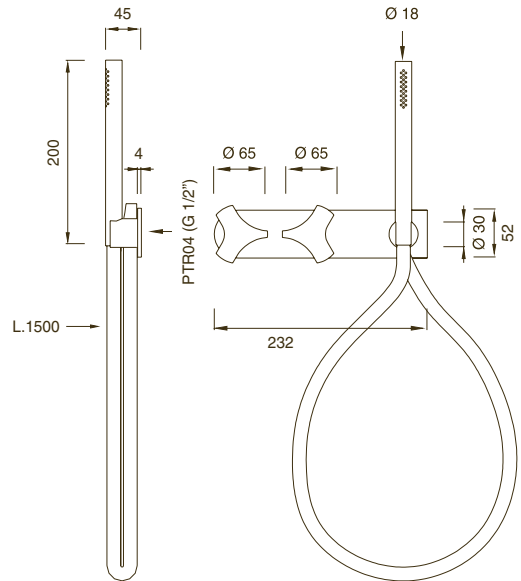


PTR 04 (G 1/2")



FIX 01

WOOD ESSENCES	S	L
WE / N / T / O		
SPECIAL FINISHES	S	L
KD / Z / P / X		
BLACK DIAMOND + WOOD ESSENCES	KDS	KDL
WE / N / T / O		

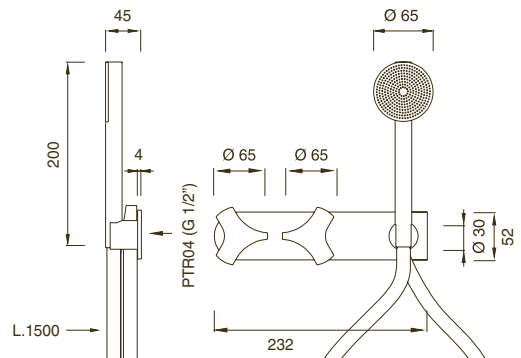


ZIQ 43 Y Ø 65 mm



ZIQ 43 Y	S	L
----------	---	---

WOOD ESSENCES	S	L
WE / N / T / O		
SPECIAL FINISHES	S	L
KD / Z / P / X		
BLACK DIAMOND + WOOD ESSENCES	KDS	KDL
WE / N / T / O		

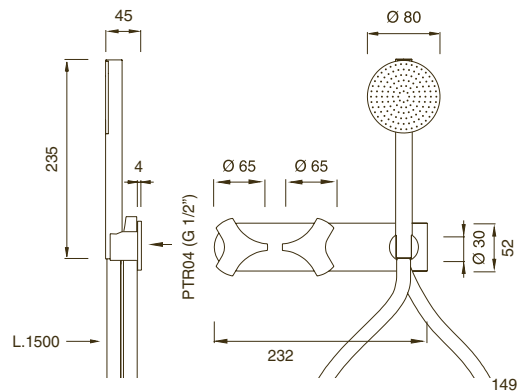


ZIQ 43 H Ø 80 mm

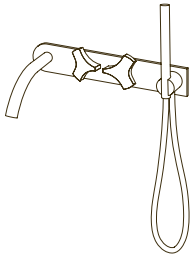
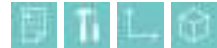


ZIQ 43 H	S	L
----------	---	---

WOOD ESSENCES	S	L
WE / N / T / O		
SPECIAL FINISHES	S	L
KD / Z / P / X		
BLACK DIAMOND + WOOD ESSENCES	KDS	KDL
WE / N / T / O		



ZIQ 44



Gruppo 2 miscelatori progressivi a parete per vasca con bocca di erogazione e doccia
 Wall mounted 2 progressive mixers set for bathtub with spout and hand shower
 2 progressive Wandmischer für Badewanne mit Auslauf und Handbrause
 Grupo 2 mezcladores progresivos mural para bañera con cáno y teleducha
 Groupe 2 mitigeurs progressifs mural pour baignoire avec bec et douchette

ZIQ 44 S	■ I	■ A	■ B	■ G	□ W
	■ SG	■ PG	■ BK	■ AB	■ DB
ZIQ 44 L	■ I	■ A	■ B	■ G	□ W
	■ SG	■ PG	■ BK	■ AB	■ DB



PTR 05 (G 1/2")

FIX 01

WOOD ESSENCES _____ S L

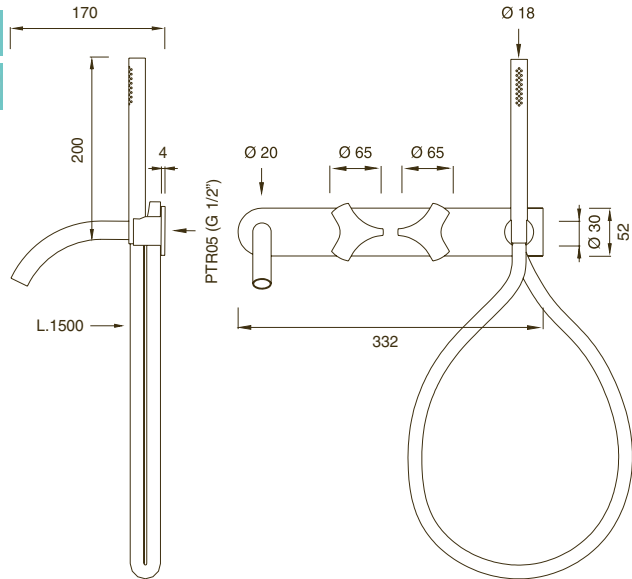
WE / N / T / O _____

SPECIAL FINISHES _____ S L

KD / Z / P / X _____

BLACK DIAMOND +
WOOD ESSENCES _____ KDS KDL

WE / N / T / O _____



ZIQ 44 Y Ø 65 mm



_____ S L

ZIQ 44 Y _____

WOOD ESSENCES _____ S L

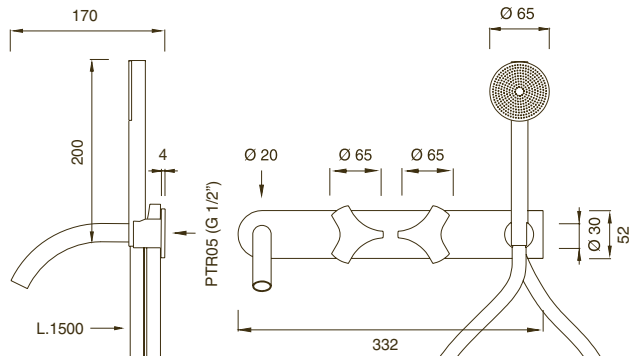
WE / N / T / O _____

SPECIAL FINISHES _____ S L

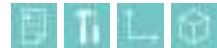
KD / Z / P / X _____

BLACK DIAMOND +
WOOD ESSENCES _____ KDS KDL

WE / N / T / O _____



ZIQ 44 H Ø 80 mm



_____ S L

ZIQ 44 H _____

WOOD ESSENCES _____ S L

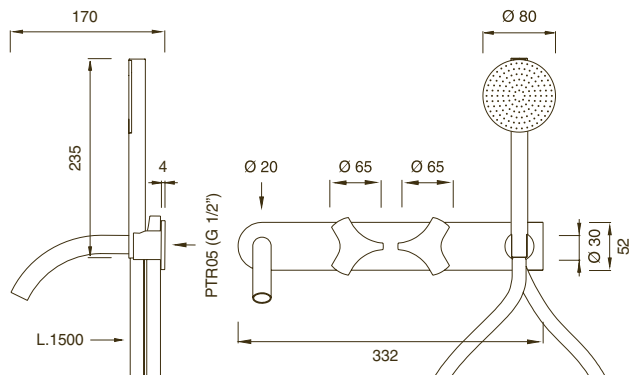
WE / N / T / O _____

SPECIAL FINISHES _____ S L

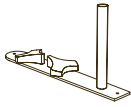
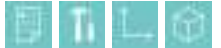
KD / Z / P / X _____

BLACK DIAMOND +
WOOD ESSENCES _____ KDS KDL

WE / N / T / O _____



ZIQ 46



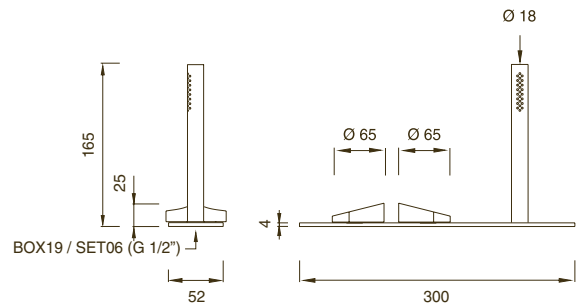
Gruppo 2 miscelatori progressivi bordo vasca con doccia
 Rim mounted set of 2 progressive mixers with hand shower
 2 progressive Wannenrandmischer mit Handbrause
 Grupo 2 mezcladores progresivos para borde bañera con teleducha
 Groupe 2 mitigeurs progressifs pour bord baignoire avec douchette

ZIQ 46 S I
 ZIQ 46 L I

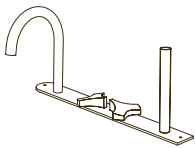
BOX 19 (G 1/2")
 /
 SET 06 (G 1/2")



WOOD ESSENCES	S	L
WE / N / T / O		
SPECIAL FINISHES	S	L
KD / Z / P / X		
BLACK DIAMOND + WOOD ESSENCES	KDS	KDL
WE / N / T / O		



ZIQ 47



Gruppo 2 miscelatori progressivi bordo vasca con bocca di erogazione e doccia
 Rim mounted set of 2 progressive mixers with spout and hand shower
 2 progressive Wannenrandmischer mit Auslauf und Handbrause
 Grupo 2 mezcladores progresivos para borde bañera con caño y teleducha
 Groupe 2 mitigeurs progressifs pour bord baignoire avec bec et douchette

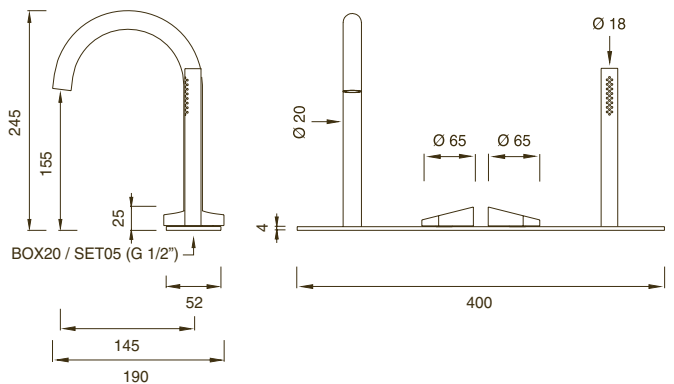
ZIQ 47 S I
 ZIQ 47 L I



BOX 20 (G 1/2")
 /
 SET 05 (G 1/2")



WOOD ESSENCES	S	L
WE / N / T / O		
SPECIAL FINISHES	S	L
KD / Z / P / X		
BLACK DIAMOND + WOOD ESSENCES	KDS	KDL
WE / N / T / O		



ZIQ 48



Gruppo miscelatore progressivo a parete per vasca/doccia con doccetta
 Wall mounted progressive mixer set for bathtub/shower with hand shower
 Progressive Wandmischer für Badewanne/Dusche, mit Handbrause
 Grupo mezclador progresivo mural para bañera/ducha con teleducha
 Groupe mitigeur progressif mural pour baignoire/douche avec douchette

ZIQ 48 S	<input type="checkbox"/> I <input type="checkbox"/> A <input type="checkbox"/> B <input type="checkbox"/> G <input type="checkbox"/> W
ZIQ 48 L	<input type="checkbox"/> I <input type="checkbox"/> A <input type="checkbox"/> B <input type="checkbox"/> G <input type="checkbox"/> W
	<input type="checkbox"/> SG <input type="checkbox"/> PG <input type="checkbox"/> BK <input type="checkbox"/> AB <input type="checkbox"/> DB

PTR 03 (G 1/2")



FIX 01



WOOD ESSENCES S L

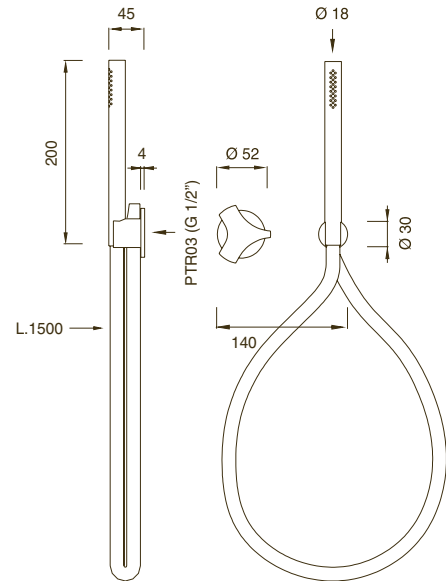
WE / N / T / O

SPECIAL FINISHES S L

KD / Z / P / X

BLACK DIAMOND +
WOOD ESSENCES KDS KDL

WE / N / T / O



ZIQ 48 Y Ø 65 mm



S L

ZIQ 48 Y

WOOD ESSENCES S L

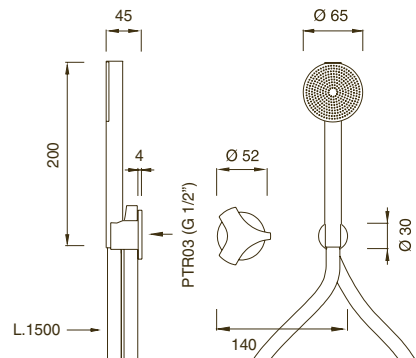
WE / N / T / O

SPECIAL FINISHES S L

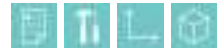
KD / Z / P / X

BLACK DIAMOND +
WOOD ESSENCES KDS KDL

WE / N / T / O



ZIQ 48 H Ø 80 mm



S L

ZIQ 48 H

WOOD ESSENCES S L

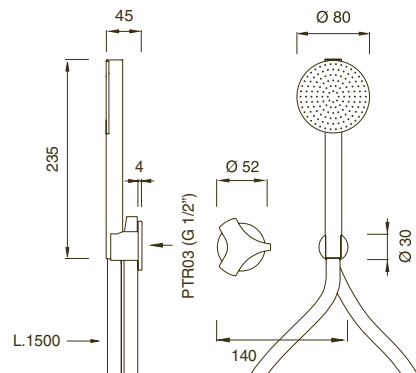
WE / N / T / O

SPECIAL FINISHES S L

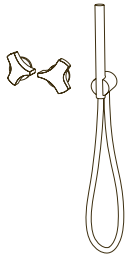
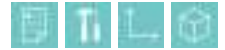
KD / Z / P / X

BLACK DIAMOND +
WOOD ESSENCES KDS KDL

WE / N / T / O



ZIQ 49



Gruppo 2 miscelatori progressivi a parete per vasca/doccia con doccetta
 Wall mounted 2 progressive mixers set for bathtub/shower with hand shower
 2 progressive Wandmischer für Badewanne/Dusche mit Handbrause
 Grupo 2 mezcladores progresivos mural para bañera/ducha con teleducha
 Groupe 2 mitigeurs progressifs mural pour baignoire/douche avec douchette

ZIQ 49 S					
ZIQ 49 L					



PTR 04 (G 1/2")



FIX 01



WOOD ESSENCES S L

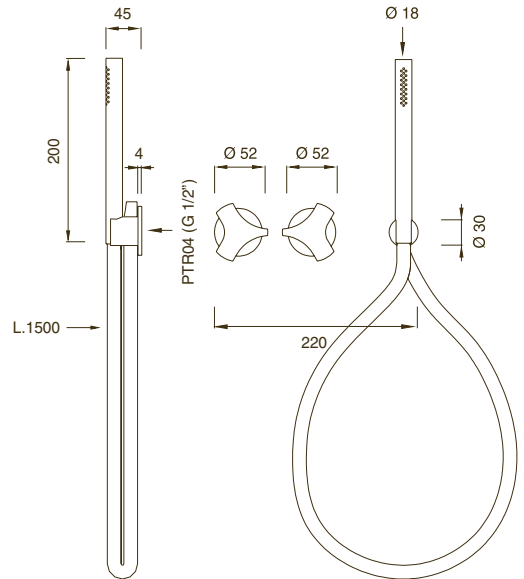
WE / N / T / O

SPECIAL FINISHES S L

KD / Z / P / X

BLACK DIAMOND +
WOOD ESSENCES KDS KDL

WE / N / T / O



ZIQ 49 Y Ø 65 mm



S L

ZIQ 49 Y

WOOD ESSENCES S L

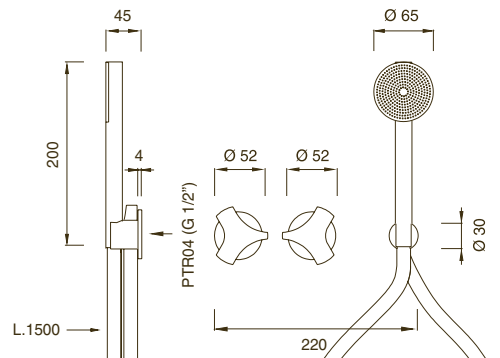
WE / N / T / O

SPECIAL FINISHES S L

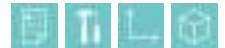
KD / Z / P / X

BLACK DIAMOND +
WOOD ESSENCES KDS KDL

WE / N / T / O



ZIQ 49 H Ø 80 mm



S L

ZIQ 49 H

WOOD ESSENCES S L

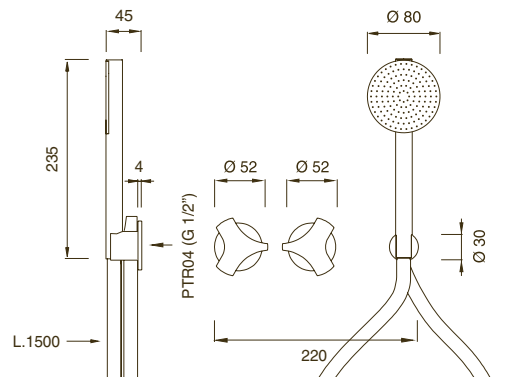
WE / N / T / O

SPECIAL FINISHES S L

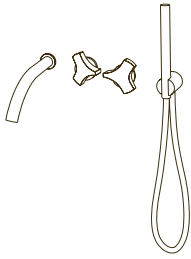
KD / Z / P / X

BLACK DIAMOND +
WOOD ESSENCES KDS KDL

WE / N / T / O



ZIQ 50



Gruppo 2 miscelatori progressivi a parete per vasca con bocca di erogazione e doccia
 Wall mounted 2 progressive mixers set for bathtub with spout and hand shower
 2 progressive Wandmischer für Badewanne mit Auslauf und Handbrause
 Grupo 2 mezcladores progresivos mural para bañera con cáno y teleducha
 Groupe 2 mitigeurs progressifs mural pour baignoire avec bec et douchette

ZIQ 50 S	<input type="checkbox"/> I <input type="checkbox"/> A <input type="checkbox"/> B <input type="checkbox"/> G <input type="checkbox"/> W <input type="checkbox"/> SG <input type="checkbox"/> PG <input type="checkbox"/> BK <input type="checkbox"/> AB <input type="checkbox"/> DB	
ZIQ 50 L	<input type="checkbox"/> I <input type="checkbox"/> A <input type="checkbox"/> B <input type="checkbox"/> G <input type="checkbox"/> W <input type="checkbox"/> SG <input type="checkbox"/> PG <input type="checkbox"/> BK <input type="checkbox"/> AB <input type="checkbox"/> DB	

PTR 05 (G 1/2")

FIX 01

WOOD ESSENCES _____ S L

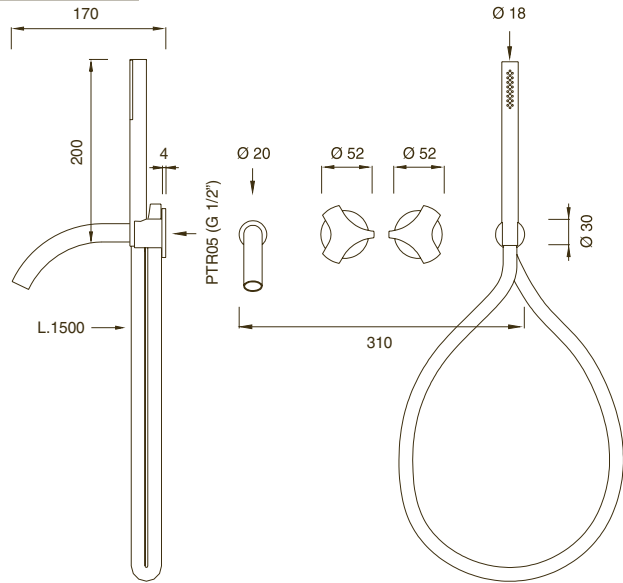
WE / N / T / O _____

SPECIAL FINISHES _____ S L

KD / Z / P / X _____

BLACK DIAMOND +
WOOD ESSENCES _____ KDS KDL

WE / N / T / O _____



ZIQ 50 Y Ø 65 mm



_____ S L

ZIQ 50 Y _____

WOOD ESSENCES _____ S L

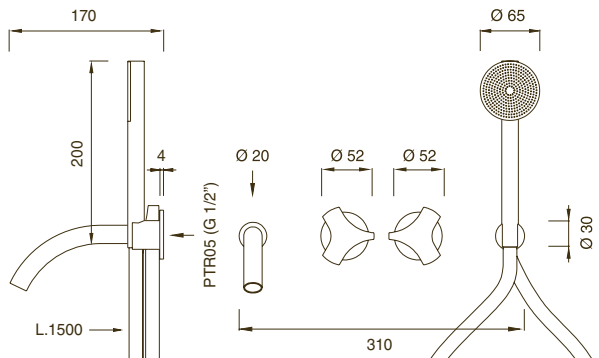
WE / N / T / O _____

SPECIAL FINISHES _____ S L

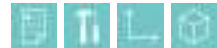
KD / Z / P / X _____

BLACK DIAMOND +
WOOD ESSENCES _____ KDS KDL

WE / N / T / O _____



ZIQ 50 H Ø 80 mm



_____ S L

ZIQ 50 H _____

WOOD ESSENCES _____ S L

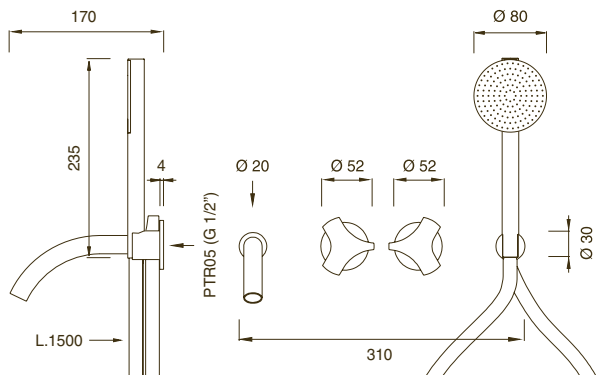
WE / N / T / O _____

SPECIAL FINISHES _____ S L

KD / Z / P / X _____

BLACK DIAMOND +
WOOD ESSENCES _____ KDS KDL

WE / N / T / O _____



ZIQ 51



Miscelatore progressivo a colonna per vasca con doccetta
 Free-standing progressive mixer for bathtub with hand shower
 Freistehende progressive Badewannenarmatur mit Handbrause
 Mezclador progresivo a suelo para bañera con teleducha
 Mitigeur progressif baignoire montage au sol avec douchette

ZIQ 51 S	▨ I	■ A	■ B	■ G	□ W
	■ SG	■ PG	■ BK	■ AB	■ DB
ZIQ 51 L	▨ I	■ A	■ B	■ G	□ W
	■ SG	■ PG	■ BK	■ AB	■ DB

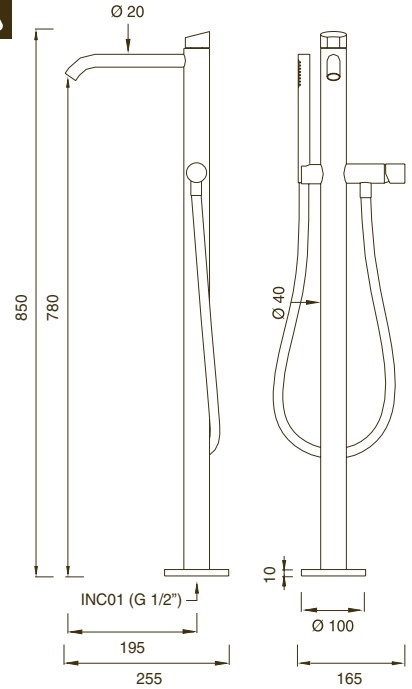
INC 01 (G 1/2")



SPECIAL FINISHES

S L

KD / Z / P / X



ZIQ 72

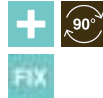


Gruppo doccia con miscelatore termostatico, Acqua Stop System e deviatore 2/3 vie
 Thermostatic shower mixer set with Acqua Stop System and 2/3 way diverter
 Thermostat-Brausebatterie mit Acqua Stop System und 2/3-Wege-Umstellung
 Grupo ducha con mezclador termostático, Acqua Stop System y inversor 2/3 vías
 Groupe mitigeur thermostatique avec Acqua Stop System et inverseur 2/3 voies

ZIQ 72 S

ZIQ 72 L

PTR 22 (G 1/2")



FIX 01

WOOD ESSENCES

S L

WE / N / T / O

SPECIAL FINISHES

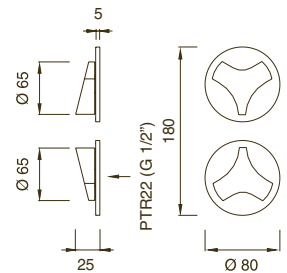
S L

KD / Z / P / X

BLACK DIAMOND +
WOOD ESSENCES

KDS KDL

WE / N / T / O



ZIQ 80



Gruppo doccia con miscelatore termostatico e deviatore 2/3 vie
 Thermostatic shower mixer set with 2/3 way diverter
 Thermostat-Brausebatterie mit 2/3-Wege-Umstellung
 Grupo ducha con mezclador termostático y inversor 2/3 vías
 Groupe mitigeur thermostatique avec inverseur 2/3 voies



ZIQ 80 S
 ZIQ 80 L



PTR 23 (G 1/2")



FIX 01



WOOD ESSENCES S L

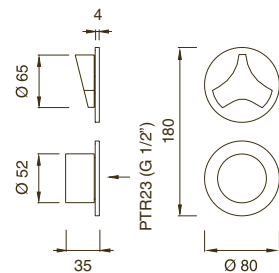
WE / N / T / O

SPECIAL FINISHES S L

KD / Z / P / X

BLACK DIAMOND +
 WOOD ESSENCES KDS KDL

WE / N / T / O



ZIQ 81



Gruppo doccia con miscelatore termostatico e rubinetto d'arresto
 Thermostatic shower mixer set with shut-off valve
 Thermostat-Brausebatterie mit Absperrventilen
 Grupo ducha con mezclador termostático y llave de paso
 Groupe mitigeur thermostatique avec robinet d'arrêt



ZIQ 81 S
 ZIQ 81 L



PTR 24 (G 1/2")



FIX 01



WOOD ESSENCES S L

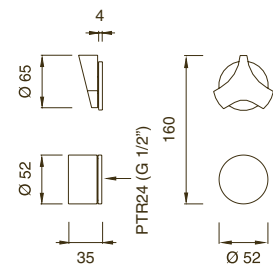
WE / N / T / O

SPECIAL FINISHES S L

KD / Z / P / X

BLACK DIAMOND +
 WOOD ESSENCES KDS KDL

WE / N / T / O



ZIQ 82



Gruppo doccia con miscelatore termostatico e 2 rubinetti d'arresto
 Thermostatic shower mixer set with 2 shut-off valves
 Thermostat-Brausebatterie mit 2 Absperrventilen
 Grupo ducha con mezclador termostático y 2 llaves de paso
 Groupe mitigeur thermostatique avec 2 robinets d'arrêt

ZIQ 82 S
 ZIQ 82 L



PTR 25 (G 1/2")



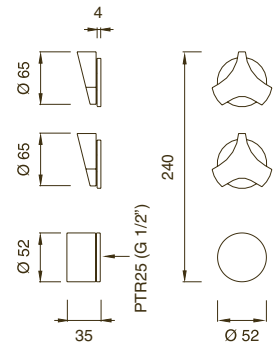
FIX 01



WOOD ESSENCES S L
 WE / N / T / O

SPECIAL FINISHES S L
 KD / Z / P / X

BLACK DIAMOND +
 WOOD ESSENCES KDS KDL
 WE / N / T / O



ZIQ 83



Gruppo doccia con miscelatore termostatico e 3 rubinetti d'arresto
 Thermostatic shower mixer set with 3 shut-off valves
 Thermostat-Brausebatterie mit 3 Absperrventilen
 Grupo ducha con mezclador termostático y 3 llaves de paso
 Groupe mitigeur thermostatique avec 3 robinets d'arrêt

ZIQ 83 S
 ZIQ 83 L



PTR 48 (G 1/2")



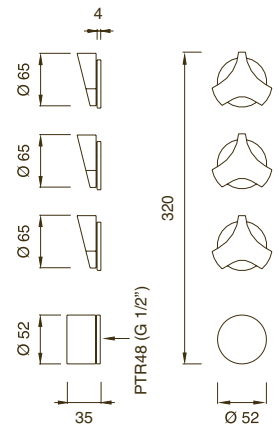
FIX 01



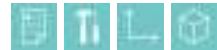
WOOD ESSENCES S L
 WE / N / T / O

SPECIAL FINISHES S L
 KD / Z / P / X

BLACK DIAMOND +
 WOOD ESSENCES KDS KDL
 WE / N / T / O

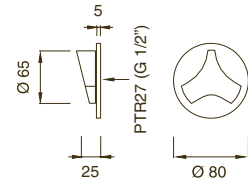


TRM 09



Miscelatore termostatico a parete con Acqua Stop System
 Wall mounted thermostatic mixer with Acqua Stop System
 Unterputz-Thermostat mit Acqua Stop System
 Mezclador termostático mural con Acqua Stop System
 Mitigeur thermostatique mural avec Acqua Stop System

TRM 09 S
TRM 09 L
PTR 27 (G 1/2")
FIX 01



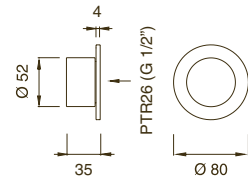
WOOD ESSENCES	S	L
WE / N / T / O		
SPECIAL FINISHES	S	L
KD / Z / P / X		
BLACK DIAMOND + WOOD ESSENCES	KDS	KDL
WE / N / T / O		

TRM 06



Miscelatore termostatico a parete
 Wall mounted thermostatic mixer
 Unterputz-Thermostat
 Mezclador termostático mural
 Mitigeur thermostatique mural

TRM 06 S
TRM 06 L
PTR 26 (G 1/2")
FIX 01



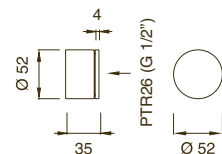
SPECIAL FINISHES	S	L
KD / Z / P / X		

TRM 20



Miscelatore termostatico a parete
 Wall mounted thermostatic mixer
 Unterputz-Thermostat
 Mezclador termostático mural
 Mitigeur thermostatique mural

TRM 20 S
TRM 20 L
PTR 26 (G 1/2")
FIX 01



SPECIAL FINISHES	S	L
KD / Z / P / X		

DEV 10

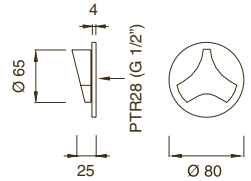


Deviatore a parete 2/3 vie
Wall mounted 2/3 way diverter
2/3-Wege unterputz-Umsteller
Inversor mural 2/3 vías
Inverseur mural 2/3 voies

DEV 10 S
DEV 10 L

PTR 28 (G 1/2")

FIX 01



WOOD ESSENCES S L
WE / N / T / O

SPECIAL FINISHES S L
KD / Z / P / X

BLACK DIAMOND +
WOOD ESSENCES KDS KDL
WE / N / T / O

ZIQ 18

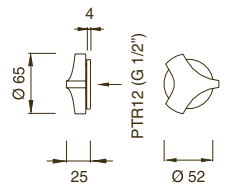


Miscelatore progressivo a parete
Wall mounted progressive mixer
Wandebau progressiver Mischer
Mezclador progresivo mural
Mitigeur progressif mural

ZIQ 18 S
ZIQ 18 L

PTR 12 (G 1/2")

FIX 01



WOOD ESSENCES S L
WE / N / T / O

SPECIAL FINISHES S L
KD / Z / P / X

BLACK DIAMOND +
WOOD ESSENCES KDS KDL
WE / N / T / O

ZIQ 19



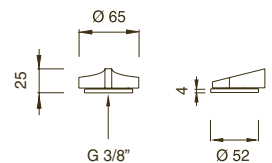
Miscelatore progressivo a piano
Deck mounted progressive mixer
Deckebau progressiver Mischer
Mezclador progresivo de repisa
Mitigeur progressif sur plan

ZIQ 19 S
ZIQ 19 L

WOOD ESSENCES S L
WE / N / T / O

SPECIAL FINISHES S L
KD / Z / P / X

BLACK DIAMOND +
WOOD ESSENCES KDS KDL
WE / N / T / O



ZIQ 13



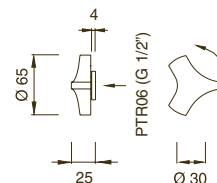
Rubinetto d'arresto a parete, acqua calda
Wall mounted shut-off valve, hot water
Wandebau Absperrventil, Warmwasser
Grifo individual mural, agua caliente
Robinet d'ouverture et d'arrêt mural, eau chaude

ZIQ 13 S

ZIQ 13 L

PTR 06 (G 1/2")

FIX 01



WOOD ESSENCES S L

WE / N / T / O

SPECIAL FINISHES S L

KD / Z / P / X

BLACK DIAMOND +
WOOD ESSENCES KDS KDL

WE / N / T / O

ZIQ 14



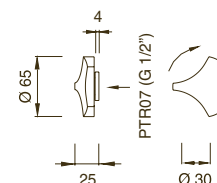
Rubinetto d'arresto a parete, acqua fredda
Wall mounted shut-off valve, cold water
Wandebau Absperrventil, Kaltwasser
Grifo individual mural, agua fría
Robinet d'ouverture et d'arrêt mural, eau froide

ZIQ 14 S

ZIQ 14 L

PTR 07 (G 1/2")

FIX 01



WOOD ESSENCES S L

WE / N / T / O

SPECIAL FINISHES S L

KD / Z / P / X

BLACK DIAMOND +
WOOD ESSENCES KDS KDL

WE / N / T / O

ZIQ 15



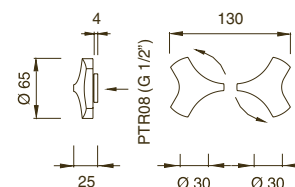
Gruppo 2 rubinetti d'arresto a parete con miscelazione
Wall mounted set of 2 shut-off mixing valves
Wandebau 2 Absperrventil-set mit Wassermischung
Grupo mural 2 grifos individuales con mezcla
Groupe 2 robinets d'ouverture et d'arrêt mural avec mélange

ZIQ 15 S

ZIQ 15 L

PTR 08 (G 1/2")

FIX 01



WOOD ESSENCES S L

WE / N / T / O

SPECIAL FINISHES S L

KD / Z / P / X

BLACK DIAMOND +
WOOD ESSENCES KDS KDL

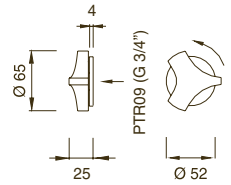
WE / N / T / O

ZIQ 23



Rubinetto d'arresto a parete, acqua calda
Wall mounted shut-off valve, hot water
Wandeinbau Absperrventil, Warmwasser
Grifo individual mural, agua caliente
Robinete d'ouverture et d'arrêt mural, eau chaude

ZIQ 23 S
ZIQ 23 L
PTR 09 (G 3/4")
FIX 01



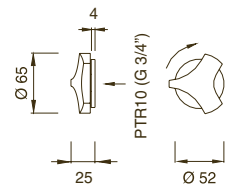
WOOD ESSENCES	S	L
WE / N / T / O		
SPECIAL FINISHES	S	L
KD / Z / P / X		
BLACK DIAMOND + WOOD ESSENCES	KDS	KDL
WE / N / T / O		

ZIQ 24



Rubinetto d'arresto a parete, acqua fredda
Wall mounted shut-off valve, cold water
Wandeinbau Absperrventil, Kaltwasser
Grifo individual mural, agua fría
Robinete d'ouverture et d'arrêt mural, eau froide

ZIQ 24 S
ZIQ 24 L
PTR 10 (G 3/4")
FIX 01



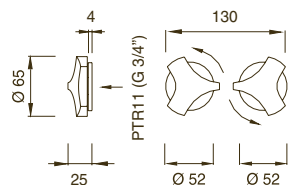
WOOD ESSENCES	S	L
WE / N / T / O		
SPECIAL FINISHES	S	L
KD / Z / P / X		
BLACK DIAMOND + WOOD ESSENCES	KDS	KDL
WE / N / T / O		

ZIQ 25



Gruppo 2 rubinetti d'arresto a parete con miscelazione
Wall mounted set of 2 shut-off mixing valves
Wandeinbau 2 Absperrventil-set mit Wassermischung
Grupo mural 2 grifos individuales con mezcla
Groupe 2 robinets d'ouverture et d'arrêt mural avec mélange

ZIQ 25 S
ZIQ 25 L
PTR 11 (G 3/4")
FIX 01



WOOD ESSENCES	S	L
WE / N / T / O		
SPECIAL FINISHES	S	L
KD / Z / P / X		
BLACK DIAMOND + WOOD ESSENCES	KDS	KDL
WE / N / T / O		

ZIQ 16



Rubinetto d'arresto a piano, acqua calda
Deck mounted shut-off valve, hot water
Deckeinbau Warmwasser Absperrventil
Grifo individual de repisa, agua caliente
Robinete d'ouverture et d'arrêt sur plan, eau chaude

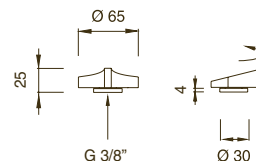
ZIQ 16 S

ZIQ 16 L

WOOD ESSENCES _____ S L
WE / N / T / O _____

SPECIAL FINISHES _____ S L
KD / Z / P / X _____

BLACK DIAMOND +
WOOD ESSENCES _____ KDS KDL
WE / N / T / O _____



ZIQ 17



Rubinetto d'arresto a piano, acqua fredda
Deck mounted shut-off valve, cold water
Deckeinbau Kaltwasser Absperrventil
Grifo individual de repisa, agua fría
Robinete d'ouverture et d'arrêt sur plan, eau froide

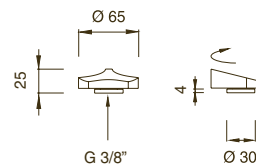
ZIQ 17 S

ZIQ 17 L

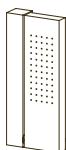
WOOD ESSENCES _____ S L
WE / N / T / O _____

SPECIAL FINISHES _____ S L
KD / Z / P / X _____

BLACK DIAMOND +
WOOD ESSENCES _____ KDS KDL
WE / N / T / O _____



ZIQ 52



Soffione doccia orientabile in Delrin® con getto a pioggia
Adjustable Delrin® shower head with rain jet
Bewegliche Kopfbrause aus Delrin® mit Regenstrahl
Rociador orientable en Delrin® con efecto lluvia
Douche de tête orientable en Delrin® avec jet à pluie

ZIQ 52 S

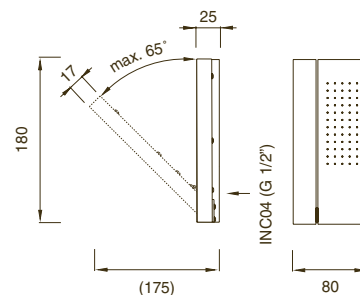
ZIQ 52 L

INC 04 (G 1/2")

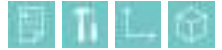
FIX 01



SPECIAL FINISHES _____ S L
KD / Z / P / X _____



ZIQ 53



Soffione doccia orientabile in Delrin® con getto a pioggia
Adjustable Delrin® shower head with rain jet
Bewegliche Kopfbrause aus Delrin® mit Regenstrahl
Rociador orientable en Delrin® con efecto lluvia
Douche de tête orientable en Delrin® avec jet à pluie

ZIQ 53 S

ZIQ 53 L

INC 04 (G 1/2")

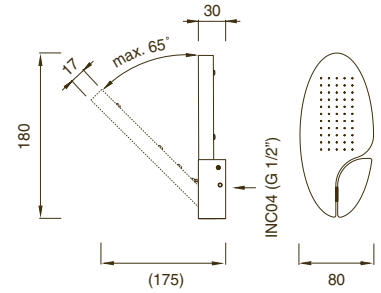
FIX 01



SPECIAL FINISHES

S L

KD / Z / P / X



PROLUNGHE / EXTENTIONS / VERLÄNGERUNGEN / ALARGADORES / RALLONGE

PTR SYSTEM

KD / Z / P / X

Incassato fino a 15 mm oltre il massimo indicato / Built-in over the maximum till 15 mm

		-	S	L	S	L
ZIQ26 / ZIQ27 / ZIQ58 / ZIQ28 / ZIQ42 / ZIQ42Y / ZIQ42H	PRO 82					
ZIQ29 / ZIQ30 / ZIQ59 / ZIQ31 / ZIQ48 / ZIQ48Y / ZIQ48H	PRO 60					
ZIQ01 / ZIQ02 / ZIQ55	PRO 85					
ZIQ04 / ZIQ05 / ZIQ56 / ZIQ07 / ZIQ08 / ZIQ57 / ZIQ09	PRO 87					
ZIQ71 / ZIQ71Y / ZIQ71H	PRO 64					
ZIQ43 / ZIQ43Y / ZIQ43H	PRO 88					
ZIQ44 / ZIQ44Y / ZIQ44H	PRO 90					
ZIQ49 / ZIQ49Y / ZIQ49H	PRO 66					
ZIQ50 / ZIQ50Y / ZIQ50H	PRO 68					
ZIQ72	PRO 70					
ZIQ80	PRO 148					
ZIQ81	PRO 149					
ZIQ82	PRO 150					
ZIQ83	PRO 151					
TRM09	PRO 35					
TRM06	PRO 152					
TRM20	PRO 56					
DEV10	PRO 39					
ZIQ13 / ZIQ14	PRO 22					
ZIQ15	PRO 96					
ZIQ23 / ZIQ24	PRO 24					
ZIQ25	PRO 80					
ZIQ18	PRO 20					

PTR SYSTEM

KD / Z / P / X

Incassato fino a 15 mm al di sotto del minimo indicato / Built-in under the minimum till 15 mm

		-	S	L	S	L
ZIQ26 / ZIQ27 / ZIQ58 / ZIQ28	PRO 83					
ZIQ29 / ZIQ30 / ZIQ59 / ZIQ31	PRO 84					
ZIQ01 / ZIQ02 / ZIQ55	PRO 86					
ZIQ04 / ZIQ05 / ZIQ56 / ZIQ07 / ZIQ08 / ZIQ57 / ZIQ09	PRO 143					
ZIQ71 / ZIQ71Y / ZIQ71H	PRO 144					
ZIQ42 / ZIQ42Y / ZIQ42H	PRO 141					
ZIQ43 / ZIQ43Y / ZIQ43H	PRO 89					
ZIQ44 / ZIQ44Y / ZIQ44H	PRO 91					
ZIQ48 / ZIQ48Y / ZIQ48H	PRO 142					
ZIQ49 / ZIQ49Y / ZIQ49H	PRO 92					
ZIQ50 / ZIQ50Y / ZIQ50H	PRO 93					
ZIQ72	PRO 145					
ZIQ80	PRO 146					
ZIQ81	PRO 94					
ZIQ82	PRO 95					
ZIQ83	PRO 140					
TRM09	PRO 36					
TRM06	PRO 147					
TRM20	PRO 57					
DEV10	PRO 40					
ZIQ13 / ZIQ14	PRO 31					
ZIQ15	PRO 97					
ZIQ23 / ZIQ24 / ZIQ18	PRO 27					
ZIQ25	PRO 98					

**LEGENDA CODICE ARTICOLO / KEY ARTICLE CODE / ZEICHENKLÄRUNG DER KODES /
LEYENDA CÓDIGOS ARTÍCULOS / LÉGENDE CODE ARTICLE**

Modello Model Modell Modelo Modèle	Articolo Item Artikel Artículo Article	Colore Colour Farbe Color Couleur	Essenza legno Wood essence Holz essenzen Esencia de madera Essence bois	Finitura speciale Special finish Sonderoberfläche Acabado especial Finition spéciale	Finitura Finish Oberfläche Acabado Finition
UDT	05	G	/	/	S
ZIQ	02	/	/	X	L
GIO	25	W	N	KD	S












Esempio / Example / Beispiel / Ejemplo / Exemple

S finitura satinata / satin finish / satiniert Oberfläche / acabado satinado / finition satinée
L finitura lucidata / polished finish / polierte Oberfläche / acabado pulido / finition polie

GIO 25 W N KD S

modello **GIOTTO**, articolo **25**, colore: **W** bianco, essenza legno: **N** noce americano, finitura speciale: **KD** black diamond, finitura: **S** satinato
model **GIOTTO**, article **25**, colour: **W** white, wood essence: **N** american walnut, special finish: **KD** black diamond, finish: **S** satin
Modell **GIOTTO**, Artikel **25**, Farbe: **W** Weiss, Holz essenzen: **N** amerikanischem Nussbaum, Sonderoberfläche: **KD** black diamond, Oberfläche: **S** satiniert
modelo **GIOTTO**, artículo **25**, color: **W** blanco, esencia de madera: **N** nogal americano, acabado especial: **KD** black diamond, acabado: **S** satinado
modèle **GIOTTO**, article **25**, couleur: **W** blanc, essence bois: **N** noyer americain, finition spéciale: **KD** black diamond, finition: **S** satinée

**LEGENDA COLORI / KEY COLOURS / ZEICHENKLÄRUNG FARBEN /
LEYENDA COLORES / LÉGENDE COULEUR**

A	VERDE ACQUA / AQUA GREEN		RAL 6027
B	BLU COBALTO / COBALT BLUE		RAL 5013
G	GRIGIO ANTRACITE / ANTHRACITE GREY		RAL 7043
W	BIANCO / WHITE		RAL 9016
SG	GRIGIO SETA / SILK GREY		RAL 7044
PG	VERDE PETROLIO / PETROLEUM GREEN		RAL 5020
BK	NERO / BLACK		RAL 9004
AB	BLU AVIO / AIR FORCE BLUE		RAL 5014
DB	GRIGIO QUARZO / QUARTZ GREY		RAL 7006
I	TUBO FLESSIBILE IN ACCIAIO INOSSIDABILE HOSE IN STAINLESS STEEL		
C	TUBO FLESSIBILE IN CROMOLUX HOSE IN CROMOLUX		

I colori sono da intendersi come puramente indicativi / Colours are meant as purely indicative / Die Farbe sind nur Richtfarbe /
Los colores son sólo indicativos / Les couleurs sont données seulement à titre indicatif

**PREZZO / PRICE CALCULATION / KALKULATION DER PREISE /
CÁLCULO DE LOS PRECIOS / CALCUL DES PRIX**

**CALCOLO DEL PREZZO
AL PUBBLICO
IVA ESCLUSA**

Moltiplicare il valore punto riferito al codice articolo per il coefficiente di calcolo dato con le condizioni di vendita.

**PUBLIC PRICE
CALCULATION
VAT EXCLUDED**

Multiply article value point by the given coefficient given in the sale terms and conditions.

**KALKULATION
DER PREISE
OHNE MWST**

Die Preise sind in Punkten festgestellt: um den Netto Preis zu rechnen, soll man die Punkten mal den Werk Punkt multiplizieren, wie in den Verkaufskondition.

**CÁLCULO
DE LOS PRECIOS
SIN IVA**

Para obtener los precios netos multiplicar los puntos por el coeficiente indicado en las condiciones de venta.

**CALCUL
DES PRIX
SANS T.V.A**

Pour obtenir le prix net il faut multiplier le coefficient par les points indiqués dans les conditions de vente.





RACCORDO NPT / NPT CONNECTION / RACCORD NPT (USA - CANADA)

Raccordo di connessione all'impianto idraulico che permette la trasformazione dalla filettatura cilindrica europea alla filettatura conica americana/canadese. Nella conferma d'ordine verrà incluso il raccordo NPT relativo ai prodotti richiesti senza costo aggiuntivi.

Connection to the plumbing system which allows to transform the european cilindric thread to the american/canadian conical thread. NPT connection will be added free of charge in the order confirmation, where needed.

Raccord de connexion à la plomberie pour la transformation du filetage cylindrique européen au filetage conique américain/canadien. Dans la confirmation de commande, le raccord NPT concernant les produits demandés, sera inclus sans coûts additionnels.

FINITURE SPECIALI / SPECIAL FINISHES / SONDEROBERFLÄCHEN / ACABADOS ESPECIALES / FINITIONS SPÉCIALES

KD	BLACK DIAMOND	
Z	BRONZO / BRONZE	
P	RAME / COPPER	
X	LIGHT GOLD	

FINITURA BLACK DIAMOND

Esclusiva finitura nera di CEA per l'acciaio inossidabile effettuata tramite trattamento di deposizione per evaporazione. Enfatizza le naturali qualità del materiale risaltandone la finitura satinata o lucidata. Un film biocompatibile a base di grafite e polvere di diamante, aumenta la lucentezza e il grado di durezza della superficie. Ne conseguono maggiore resistenza a soluzioni acide, basiche e solventi, incolumità verso scalfitture e graffi, autolubrificabilità rispetto ai depositi calcarei dell'acqua.

BLACK DIAMOND FINISH

Exclusive CEA black finish for stainless steel resulting from a deposition process through evaporation. It emphasizes the natural qualities of the material, highlighting the satin or polished finish. A biocompatible film based on graphite and diamond powder, increases the gloss and the hardness of the surface. The result is an extraordinary resistance to acid, basic solutions and solvents, safety from nicks and scratches, self-lubrication against water lime scales.

BLACK DIAMOND OBERFLÄCHE

Diese exklusive CEA schwarze Ausführung für Edelstahl, findet durch einer biokompatiblen Behandlung, bzw. Verdunstung statt. Dieser Prozess erhöht die natürlichen Qualitäten der Materialien und lässt die satinierte oder polierte Oberfläche besser wirken. Ein biokompatiblen Film, aus Graphit und Diamant-Pulver gemacht, erhöht das Glänzen und die Harte der Oberfläche. Wie Edelstahl, auch die gewählte Oberfläche kennzeichnet sich durch gute Widerstandsfähigkeit gegen Temperatur und Feuchtigkeit, Kratzer, Säuren und Salz.

ACABADO BLACK DIAMOND

Acabado negro del acero, exclusivo de CEA, realizado a través de un tratamiento de deposición por evaporación. Enfatiza la calidad natural del acero inoxidable, resaltando sus acabados satinado y brillo. Una película bio compatible a base de grafito y polvo de diamante, aumenta el brillo y el grado de dureza de la superficie, consiguiendo mayor resistencia a las soluciones acidas, seguridad contra los rasguños y las rallas, auto lubricado respecto a los depósitos calcáreos.

FINITION BLACK DIAMOND

Exclusive finition noire de CEA pour l'acier inoxydable réalisée à travers un traitement de déposition par évaporation. Elle renforce les qualités naturelles du matériau de base accentuant en même temps l'effet satiné ou poli de l'acier. Une pellicule éco-compatible à base de graphite et de poudre de diamant augmente le brillance et la dureté de la surface. Il en résulte une résistance importante aux solutions acides, basiques et alcalines, aux rayures et aux égratignures et une autolubrification par rapport aux dépôts de calcaire de l'eau.

FINITURA RAME / BRONZO / LIGHT GOLD

Finitura applicata all'acciaio inossidabile che enfatizza le naturali qualità del materiale risaltandone la finitura satinata o lucidata. Effettuata tramite trattamento di deposizione per evaporazione, garantisce durezza, lucentezza attraverso un film biocompatibile che riveste la superficie.

COPPER / BRONZE / LIGHT GOLD FINISH

Stainless steel finish that emphasize the natural qualities of the material, highlighting the satin or polished treatments. Resulting from a deposition process through evaporation, it guarantees the hardness and the gloss through a biocompatible film that coats the steel surface.

KUPFER / BRONZE / LIGHT GOLD OBERFLÄCHE

Diese Ausführungen für Edelstahl, erhöhen die natürlichen Qualitäten der Materialien und lassen die satinierte oder polierte Oberfläche besser wirken. Dieser Prozess wird durch einer Metalldeposition Verdunstung ausgeführt und garantiert Härte und Glänzen dank einem Biokompatiblen Film, der die Oberfläche beschichtet.

ACABADO COBRE / BRONCE / LIGHT GOLD

Acabado del acero inoxidable que enfatiza la calidad natural del material resaltando sus acabados satinado y pulido. Realizado a través de un tratamiento de deposición por evaporación que asegura mayor resistencia y mayor esplendor del material gracias a una película bio compatible que reviste la superficie.

FINITION CUIVRE / BRONZE / LIGHT GOLD

Finition appliquée à l'acier qui renforce les qualités naturelles du matériau de base et en même temps en accentuant l'effet satiné ou poli de l'acier. Elle est réalisée par un traitement de déposition par évaporation pour garantir une dureté et une brillance à travers une pellicule éco-compatible qui revêt la surface.





Variazioni di colore o sfumature non sono da considerarsi difetto di produzione ma una caratteristica legata al processo di lavorazione, che mantiene il materiale biocompatibile ed ecologico. Le variazioni cromatiche intese come sfumature del tono del colore sono possibili per effetto dell'ossigenazione del materiale a contatto con l'aria, effetto riscontrato in particolare nelle finiture del BRONZO e del RAME. Il viraggio del colore conferisce al prodotto profondità ed un effetto ancora più naturale.

Color and nuance variations are not to be considered manufacturing defect, but a feature linked to the working process that keeps the material biocompatible and ecological. Chromatic variations in sense of nuances in color tone occur, due to the effect of the material's oxygenation when exposed to the ambient air - effect found in particular in BRONZE and COPPER finishes. Color change creates the product's depth and makes it even more natural.

Tutti le doccette con flessibile in acciaio e realizzate in finitura speciale mantengono il flessibile in finitura acciaio. È possibile abbinare alle finiture speciali della rubinetteria, i flessibili in gomma silconica nelle nove varianti di colore.

All hand showers with stainless steel hose and produced in special finish keep the hose in stainless steel finish. It is possible to match the special finishes of the taps with the silicon hoses in our range of 9 colors.

ESSENZE LEGNO / WOOD ESSENCES / HOLZ ESSENZEN / ESENCIAS DE MADERA / ESSENCES BOIS

WE	WENGÉ / WENGE	
N	NOCE CANALETTO / CANALETTO WALNUT	
T	TEAK BIRMANO / BURMA TEAK	
O	ROVERE / OAK	

ESSENZA

ROVERE / TEAK BIRMANO / NOCE CANALETTO / WENGÉ

Le quattro esclusive essenze CEA si abbinano alle collezioni GIOTTO, ZIQQ e BAR. La scelta ecosostenibile si riflette sia nel processo di selezione che nella lavorazione del prodotto. Il legno massello stagionato, proveniente da foreste certificate, è trattato con vernici all'acqua brevettate, prive di solventi. Come l'acciaio inossidabile, anche il legno si contraddistingue per durezza, ottimo grado di stabilizzazione rispetto ad umidità e temperatura, impermeabilità e resistenza a soluzioni acide e saline. Queste caratteristiche rendono il prodotto adatto anche all'ambiente marino.

OAK / BURMA TEAK / CANALETTO WALNUT / WENGE ESSENCE

The four exclusive wood species CEA teams up with GIOTTO, ZIQQ and BAR collections. The eco-sustainable approach is reflected in the selection of raw materials and manufacturing processes. Mature solid wood, sourced from certified forests, is treated with patented water-based and solvent-free varnishes. Similarly, to stainless steel, the wood also stands out for its hardness, together with an excellent degree of stability in the presence of humidity or extreme temperatures and resistance to acidic and saline solutions. These characteristics also make our products ideal for the marine environment.

EIKENHOLZ / BURMA TEAK / CANALETTO NUSSBAUM / WENGE ESSENZEN

Diese sind die vier neuen exklusiven Essenzen die CEA, mit den Kollektionen GIOTTO, ZIQQ und BAR kombiniert. Diese ökologische Auswahl spiegelt sich nicht nur in der Selektionsprozess sondern auch in der Produktsbearbeitung. Das Massivholz, das aus Zertifizierten Wälder kommt, wird mit patentierten Wasser-Lacklosenmittel behandelt. Wie Edelstahl, kennzeichnet sich das Holz durch Härte, guten Stabilisierungsgrad gegenüber Feuchtigkeit und Temperatur, Wasserdichtung und Widerstandsfähigkeit gegen Säuren und salzige Lösungen, deswegen sind diese Holzessenzen auch für die Seeumwelt geeignet.

ESENCIA ROBLE / TECA BIRMANO / NOGAL CANALETTO / WENGÉ

Cuatro acabados exclusivos que CEA combina a los mandos de las colecciones GIOTTO, ZIQQ y BAR. La elección ecosostenible se refleja tanto en el proceso de selección como en el de mecanización del producto. La madera maciza que proviene de selvas certificadas, está tratada con barnices patentadas a base de agua sin disolventes. Al igual que el acero inoxidable, la madera también se caracteriza por su dureza, excelente grado de estabilización frente a la humedad y temperatura, impermeabilidad y resistencia a soluciones ácidas y salinas. Estas particularidades, hacen que el producto también sea apto para uso en el exterior.

ESSENCE CHÊNE / TECK BIRMAN / NOYER CANALETTO / WENGE

Ce sont les quatre exclusives essences que CEA applique aux manettes des collections GIOTTO, ZIQQ et BAR. La choix éco-durable se réfléchit dans le processus de sélection et usinage du produit. Le bois dur mûré provient des forêts certifiées et il est traité avec des vernis à base d'eau brevetées, sans solvant. Les essences, de la même façon que l'acier inoxydable, sont caractérisées par la dureté, l'excellente résistance aux variations d'humidité et de température, l'imperméabilité et la résistance bien aux solutions acides que salines. Ces caractéristiques rendent le produit parfait pour toutes les conditions, même dans les zones maritimes.

ICONE / ICONS / IKONEN / ICONOS / ICÔNES



Gli articoli contrassegnati da questo simbolo sono a risparmio idrico (da 5 l/min a 10 l/min)

Articles marked with this symbol are water saving (from 5 l/min to 10 l/min)

Die Artikel mit diesem Symbol gekennzeichnet, sind für Wassersparen ausgedacht (von 5 l/Min bis 10 l/Min)

Los artículos marcados con este símbolo, son de ahorro energético (de 5 l/min a 10 l/min)

Les articles marqués par ce symbole sont à économie d'eau (de 5 l/min à 10 l/min)



Gli articoli contrassegnati da questo simbolo sono adatti all'utilizzo in cucina e lavanderia (da 10 l/min a 20 l/min)

Items marked with this symbol are suitable for kitchen and laundry (from 10 l/min to 20 l/min)

Die Artikel mit dem Symbol gekennzeichnet, können Sie für Washküche und Küche benutzen (von 10 l/Min bis 20 l/Min)

Los artículos marcados con este símbolo se pueden utilizar para cocina y lavadero (de 10 l/min a 20 l/min)

Les articles marqués par ce symbole peuvent être utilisés pour la cuisine et la buanderie (de 10 l/min à 20 l/min)



Gli articoli contrassegnati da questo simbolo sono adatti all'utilizzo per il riempimento vasca (≥ 20 l/min)

Items marked with this symbol are suitable for bathtub (≥ 20 l/min)

Die Artikel mit dem Symbol gekennzeichnet, können Sie für Badewanne-Füllung benutzen (≥ 20 l/Min)

Los artículos marcados con este símbolo se pueden utilizar para llenado de bañera (≥ 20 l/min)

Les articles marqués par ce symbole peuvent être utilisés pour la baignoire (≥ 20 l/min)



Gli articoli contrassegnati da questo simbolo sono ad alta portata (≥ 25 l/min)

Articles marked with this symbol are high water flow (≥ 25 l/min)

Die Serien mit diesem Symbol gekennzeichnet, ermöglichen eine hoher Durchflussrate (≥ 25 l/Min)

Los artículos marcados con este símbolo, son de alto caudal (≥ 25 l/min)

Les articles marqués par ce symbole sont à haut débit d'eau (≥ 25 l/min)



Gli articoli contrassegnati da questo simbolo necessitano di collegamento elettrico

Items marked with this symbol need an electrical connection

Die Artikel mit dem Symbol gekennzeichnet brauchen ein elektrische Verbindung

Los artículos marcados con este símbolo necesitan de conexión eléctrica

Les articles marqués par ce symbole nécessitent d'un branchement électrique



Articoli che necessitano di parti incasso (BOX / INC / PWF / PTR / UCS) secondo quanto specificato dalla tabella prodotto

Articles that need (BOX / INC / PWF / PTR / UCS) built-in parts as specified in the product chart

Artikel, die Einbaukörper (BOX / INC / PWF / PTR / UCS) wie auf der Produktentabelle, brauchen

Artículos que necesitan partes empotradas (BOX / INC / PWF / PTR / UCS) como especificado en la tabla de productos

Articles qui nécessitent d'un corps à encastrer (BOX / INC / PWF / PTR / UCS) comme indiqué sur le tableau des produits



Articoli installabili a 90° e a 180°. È possibile ruotare la parte esterna, rispetto all'immagine riportata nel listino,

previa rotazione della sua parte ad incasso. Alcuni prodotti necessitano di apposita chiave di rotazione per le cartucce

da acquistare a parte (vedi scheda tecnica del prodotto)



Products that can be installed at 90° and 180°. It is possible to turn the external part, compared to the drawing in the pricelist with the prior rotation of its built-in part. Some products require the turning key for cartridges that has to be ordered separately (see product's technical drawing)

90° und 180° installierbare Artikel. Es ist möglich, das Externe Teil zu drehen, wenn auch das Unterputz Teil gedreht wird.

Einige Produkte benötigen einen Sonderschlüssel für die Kartusche, separat bestellbar (bitte technische Datenblätter sehen).

Artículos que son instalables a 90° y a 180°. Es posible rotar la parte externa, con respecto a la imagen que figura en el listado,

previa rotación de su propio cuerpo empotrado. Algunos productos requieren de una llave respectiva

para los cartuchos que se adquieren por separado (véase ficha técnica del producto)

Articles qui peuvent être installés à 90° et à 180°. Il est possible de pivoter la partie externe, respectivement à l'image présente

sur le catalogue, suite à la rotation de son corps à encastrer. Certains produits nécessitent d'une clé spécifique pour les

cartouches qui doit être achetée à part (voir fiche technique du produit)



Articoli con opzione di staffa di fissaggio ausiliaria (INC03) per fissaggio su pareti e controsoffitti

Articles with optional auxiliary fixing bracket (INC03) for mounting on false ceilings and walls

Artikel mit Befestigungselement (INC03) für die Montage an Wänden und Zwischendecken

Ártículos con elemento opcional de fijación auxiliar (INC03) para montaje en paredes y techos

Articles avec élément optionnel de fixation auxiliaire (INC03) pour le montage aux murs et faux-plafonds



Articoli con opzione di staffa di fissaggio ausiliaria ad "L" (FIX01) per PTR, PWF, UCS e INC. Permette la regolazione

della rubinetteria in profondità, verso l'alto e il basso, e verso sinistra e destra per fissaggio su pareti e controsoffitti

Articles with optional auxiliary fixing with double "L" bracket (FIX01) to be used with built-in parts PTR, PWF, UCS e INC.

It allows faucet regulation in depth, upward and downward, leftward and rightward, for the fixing on false ceilings and walls

Artikel mit optionalem Befestigungselement "L" Form (FIX01), das zusammen mit Befestigungstütze von Einbaukörper PTR,

PWF, UCS und INC benutzt wird. FIX erlaubt die Regulierung des Produkts nach oben, unten, links und rechts während

der Montage an Wänden und Zwischendecken

Doble elemento opcional de fijación auxiliar a forma de "L" (FIX01) que se puede añadir a PTR, PWF, UCS e INC.

FIX permite la regulación y la fijación de la grifería en profundidad, hacia arriba y abajo, y hacia izquierda y derecha

para montaje en paredes y techos

Articles avec fixation auxiliaire optionnelle en forme de "L" (FIX01) pour PTR, PWF, UCS e INC. FIX permet le réglage et la

fixation de la robinetterie en profondeur, vers le haut et le bas, et vers droite et gauche pour le montage aux murs et faux-

plafonds



Kit di flessibili e raccordi, alternativi ai corpi incasso BOX (scatole vuote), per l'installazione di gruppi rubinetteria a bordo vasca

Hoses and connections kits, alternative to BOX built-in parts (empty boxes), for the fixing of rim-mounted mixer sets

Schlauche und Verbindungen Kit, alternativ zu BOX Einbaukörper (leer box), für die Installation von Wannearmaturen

Kit flexos y conexiones, alternativos a los cuerpos empotrados BOX (caja vacía), para instalación de la grifería para borde bañera

Kit de flexibles et raccords, en alternative aux encastrements BOX (boîtes vides), pour l'installation des groupes sur bord baignoire



Articoli nuovi rispetto al listino precedente

These articles are new compared with the previous price list

Neue Artikel im Vergleich zur vorherigen Preisliste

Artículos nuevos en comparación con la lista anterior de precios

Articles nouveaux en comparaison au tarif précédent