

# Gravity - round

ext



**Design By**  
Samuel Wilkinson

**Code**  
EXSPGRAVITYTONDNE  
EXSPGRAVITYTONDBI

**Category**  
Mirrors

**Module Dimensions**  
Ø50 x h 4.8 cm

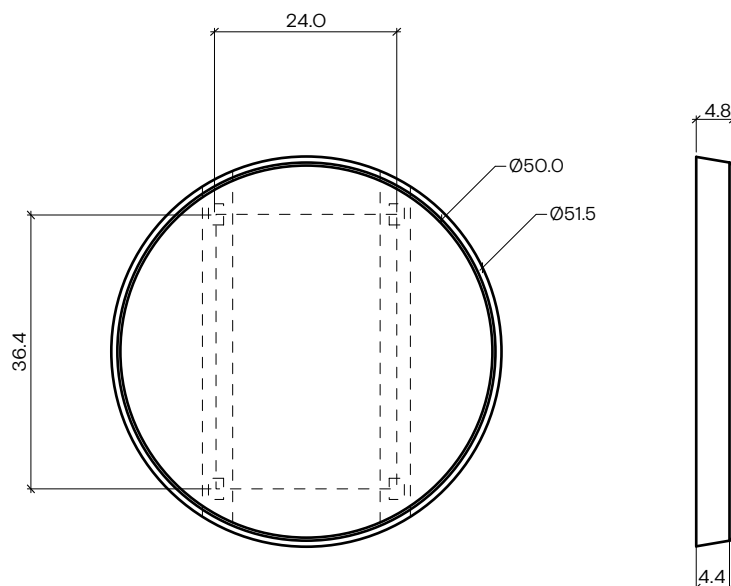
**Materials**  
Matt varnished metal

**Colours**

- Black - RAL 9004
- White - RAL 9016

**Weight**  
Product 5.5 kg  
Packaging - kg

**Packaging Dimensions**  
-



# Gravity



## Design By

Samuel Wilkinson

## Code

EXSPINGRAVITYNE  
EXSPINGRAVITYBI

## Category

Mirrors

## Module Dimensions

Ø20 x h 4.8 cm

## Materials

Matt varnished metal

## Colours

● Black - RAL 9004

● White - RAL 9016

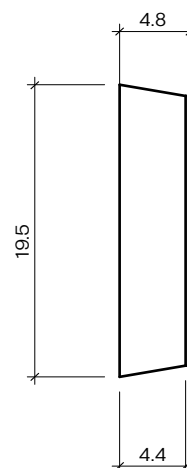
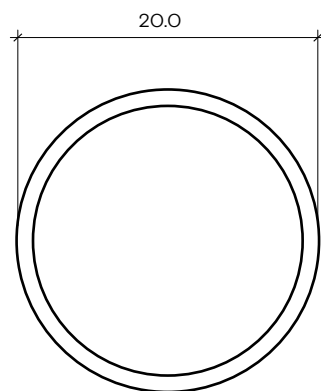
## Weight

Product 1 kg

Packaging - kg

## Packaging Dimensions

-



# Gravity - oval



**Design By**  
Samuel Wilkinson

**Code**  
EXSPGRAVITYNE  
EXSPGRAVITYBI

**Category**  
Mirrors

**Module Dimensions**  
80 x 4.8 x h 50 cm

**Materials**  
Matt varnished metal

**Colours**

- Black - RAL 9004
- White - RAL 9016

**Weight**  
Product 9.5 kg  
Packaging - kg

**Packaging Dimensions**  
-

