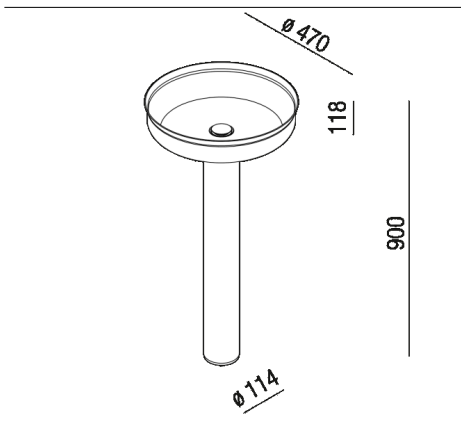




Column washbasin designed for wall drainage ACER0380CF\_ Benedini Associati, 2023



**Finishes**



Brushed



Natural brushed brass

**Materials**



Stainless steel



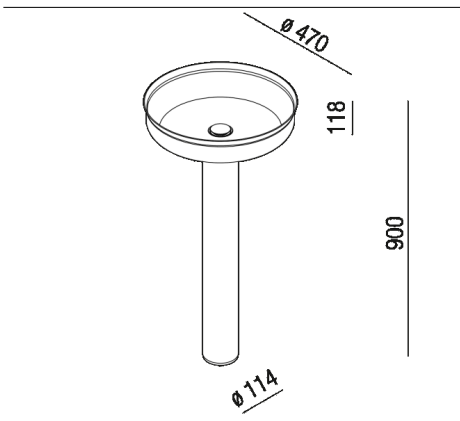
Freestanding washbasin with brushed AISI 304 stainless steel or brushed natural brass basin, made by lathe turning from sheet metal. It comes without faucet hole and an open drain, with exterior coated in matt white (RAL9003) or matt black (RAL9005), or in any RAL color upon request on either the stainless steel or the brass base. The pedestal has always the same finish as the washbasin and is designed for wall drainage. A version with basin and pedestal both in stainless steel is available. The washbasin includes a waste with a cover cap in the same finish as the washbasin (.MET0568). As complement to the washbasin, a floor mounted accessories holder is available in the same RAL colors as the washbasin.

Height:	90 cm	35" 7/16 inches
Diameter:	47 cm	18" 1/24 inches
Weight:	8 kg	18 lbs
Packaging:	42 x 42 x 15 cm	16" 1/2 x 16" 1/2 x 5" 7/8 inches
Total weight:	10 kg	24 lbs

Note: The measurements refer to the stainless steel variant, for the brass variant these are the measures: Weight: 20 lbs Packaging: 16" 1/2 x 16" 1/2 x 5" 7/8 Weight with packaging: 24 lbs



Column washbasin designed for wall drainage ACER0380CM\_ Benedini Associati, 2023



**Finishes**



Brushed



Natural brushed brass

**Materials**



Stainless steel



Freestanding washbasin with brushed AISI 304 stainless steel or brushed natural brass basin, made by lathe turning from sheet metal. It comes without faucet hole and an open drain, with exterior coated in matt white (RAL9003) or matt black (RAL9005), or in any RAL color upon request on either the stainless steel or the brass base. The pedestal has always the same finish as the washbasin and is designed for wall drainage. A version with basin and pedestal both in stainless steel is available. The washbasin includes a waste with a cover cap in the same finish as the washbasin (.MET0568). As complement to the washbasin, a floor mounted accessories holder is available in the same RAL colors as the washbasin.

Height:	90 cm	35" 7/16 inches
Diameter:	47 cm	18" 1/24 inches
Weight:	8 kg	18 lbs
Packaging:	42 x 42 x 15 cm	16" 1/2 x 16" 1/2 x 5" 7/8 inches
Total weight:	10 kg	24 lbs

Note: The measurements refer to the stainless steel variant, for the brass variant these are the measures: Weight: 20 lbs Packaging: 16" 1/2 x 16" 1/2 x 5" 7/8 Weight with packaging: 24 lbs